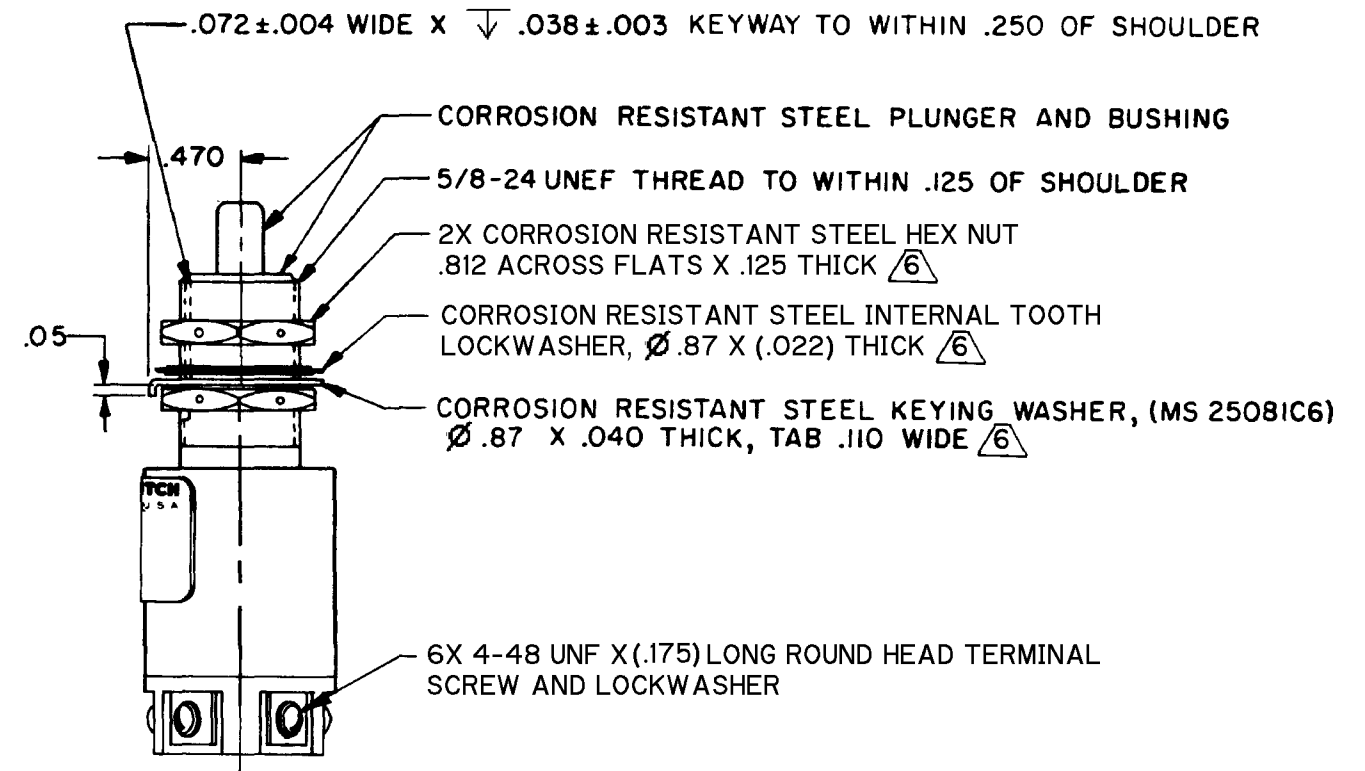
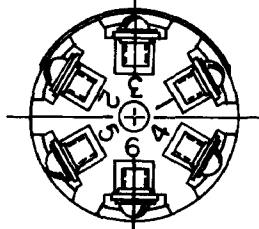
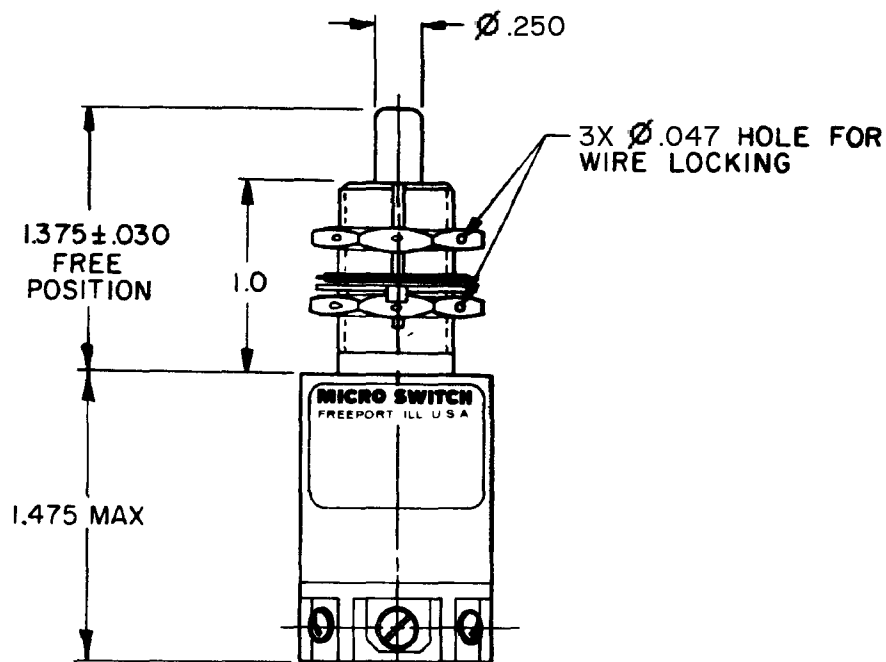
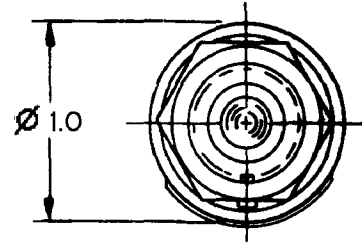
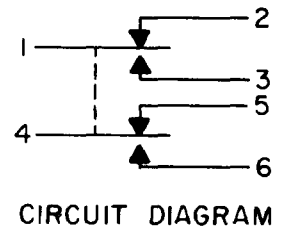


MICRO SWITCH
 FREEPORT ILLINOIS U.S.A.
 A DIVISION OF HONEYWELL
 FED MFG CODE 91929

SWITCH-ENCLOSED

CATALOG LISTING
1EN51-S



NOTES

- 1 - CORROSION RESISTANT STEEL ENCLOSURE
- 2 - SWITCH SEALED PER MIL-S-8805 SYMBOL 4
- 3 - CIRCUIT DIAGRAM, DATE CODE, FED. MFG. CODE AND CATALOG LISTING ARE SHOWN ON NAMEPLATE
- 4 - TERMINAL IDENTIFICATION IS SHOWN ON BOTTOM OF SWITCH
- 5 - COINCIDENCE OF OPERATING AND RELEASING POINTS: .010 OF PLUNGER TRAVEL
- 6 \triangle HARDWARE MAY BE PACKAGED UNASSEMBLED PER MIL-S-8805

CATALOG LISTING 1EN51-S
 ISSUE 23
 REVISIONS
 A 44351 PART 5 C E B 13 JAN 79
 B CO46777 L A P 12 NOV 79
 C CO 54265 A T S K 19 DEC 83
 D CO74101 D A W 10 FEB 93
 E CO 77504 C D L T 27 JUL 94
 F CO82104 G J W 19 FEB 96
 G CO 93970 S A V 12 JAN 99
 FORMTEK
 DRAWN CEB 13 JAN 79
 CHECK DWL 25 JAN 79
 REPLACES SR-8241
 CHECK

THIS DRAWING COVERS A PROPRIETARY ITEM AND IS THE PROPERTY OF MICRO SWITCH, A DIVISION OF HONEYWELL. THIS DRAWING IS NOT TO BE COPIED OR USED WITHOUT THE APPROVAL OF MICRO SWITCH.

THIRD ANGLE PROJECTION

SCALE FULL

DO NOT SCALE PRINT

TOLERANCES
 APPLY TO DESIGN UNITS CONVERSIONS ARE ONLY FOR REFERENCE UNLESS NOTED TOLERANCES ARE 2

| | DIM. | TOL. | DIM. | TOL. |
|--------------|--------|------------|--------|------------|
| | mm | mm/in | in | mm/in |
| NO PLACES | | ±.04 | | |
| ONE PLACE | X, X | 0.4/0.18 | X, X | 0.07/0.03 |
| TWO PLACES | X, XX | 0.157/0.06 | X, XX | 0.387/0.15 |
| THREE PLACES | X, XXX | | X, XXX | 0.131/0.05 |
| ANGLES | | | | |

DESIGN UNITS SI METRIC US CUSTOMARY

RAW MATERIAL - COMMERCIAL STANDARD
 MICRO SWITCH STANDARDS APPLY
 DIMENSIONS ARE TO BE MET BEFORE
 PROTECTIVE COATINGS ARE APPLIED

WEIGHT 3.5 OZ MAX

| CHARACTERISTICS | | ELECTRICAL DATA | |
|-----------------------|-----------|---------------------|----------------------|
| OPERATING FORCE | 3-6 LB | CONTACT ARRANGEMENT | |
| FULL OVERTRAVEL FORCE | 17 LB MAX | 2X S P D T | |
| RELEASE FORCE | 2 LB MIN | 28 VDC | |
| PRETRAVEL | .040 MAX | LOAD | SEA LEVEL 50,000 FT. |
| DIFFERENTIAL TRAVEL | .020 MAX | RES | 4 4 |
| OVERTRAVEL | .250 MIN | IND | 2 2 |
| | | MOTOR | 4 |
| | | LAMP | |

ANSI Y14.5M-1982 APPLIES