

#16-12 STOOV CORD
COLOR: YELLOW

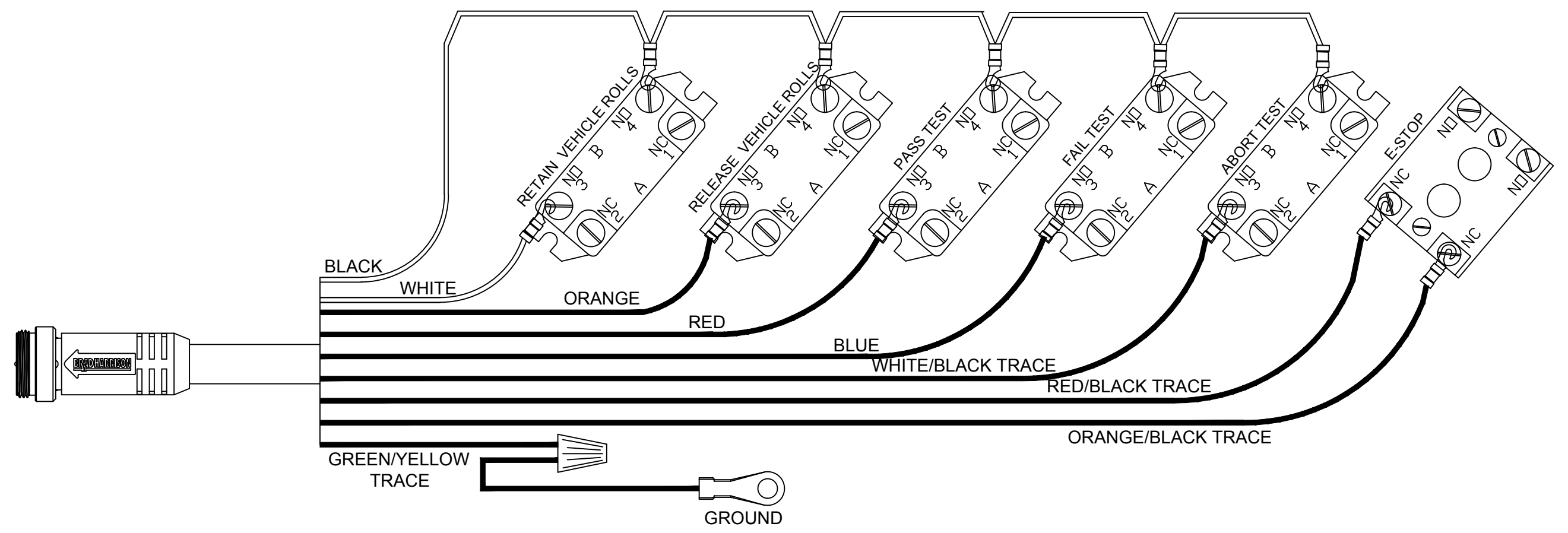
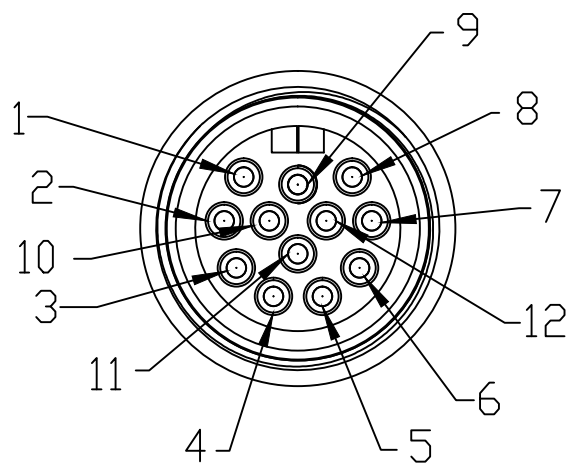
PUSHBUTTON STATION
NEOTEX® PARACRIL OZO RUBBER
COLOR: YELLOW
PART NO: 4024ES

1 1/8-16 UN-2A
EXTERNAL THREADS

RETAIN VEHICLE ROLLS
RELEASE VEHICLE ROLLS
PASS TEST
FAIL TEST
ABORT TEST
E-STOP

1	ORANGE (I00500)
2	BLUE (I00504)
3	WHITE/BLACK TRACE (I00505)
4	RED/BLACK TRACE (5081)
5	GREEN/BLACK TRACE
6	ORANGE/BLACK TRACE (5082)
7	BLUE/BLACK TRACE
8	BLACK/WHITE TRACE
9	GREEN/YELLOW TRACE(GROUND)
10	RED (I00503)
11	WHITE (I00501)
12	BLACK (5501)

MINI-CHANGE
12- POLE MALE PLUG
PART# 302006A01F030



WIRING DIAGRAM

RELEASE SALES DRAWING EC NO.: IPG2014-0578 DRWN: HRUIZ01 2013/09/24 CHKD: HKNEELAN APPR: JFMURPHY 2013/11/04 A	QUALITY SYMBOL ▽=0 ◁=0	GENERAL TOLERANCES (UNLESS SPECIFIED)	DIMENSION STYLE INCH	SCALE NTS	DESIGN UNITS INCH	THIRD ANGLE PROJECTION
		mm INCH	DRAWN BY DATE HRUIZ01 2013/09/24	TITLE 4024ES PENDANT STATION 12 POLE MINI CHANGE		
		4 PLACES ±--- ±--- 3 PLACES ±--- ±.005 2 PLACES ±--- ±.010 1 PLACE ±--- ±.020	CHECKED BY DATE HKNEELAN 2013/09/24	MOLEX INCORPORATED		
		ANGULAR ±1/2°	APPROVED BY DATE JFMURPHY 2013/11/04	MATERIAL NO. 130126-0348	DOCUMENT NO. SD-130126-064	SHEET NO. 1 OF 1
		DRAFT WHERE APPLICABLE MUST REMAIN WITHIN DIMENSIONS	THIS DRAWING CONTAINS INFORMATION THAT IS PROPRIETARY TO MOLEX INCORPORATED AND SHOULD NOT BE USED WITHOUT WRITTEN PERMISSION			