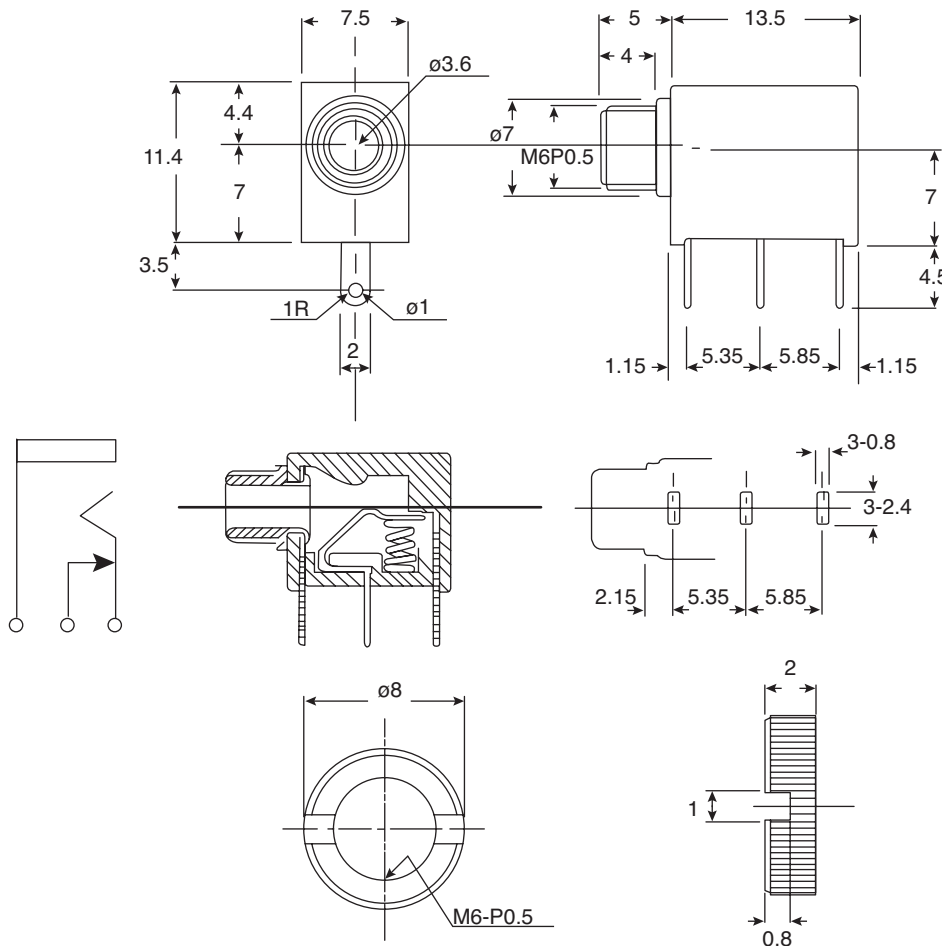


Phone Jack Mono 3.5mm



161-3520-EX

Mono Phone Jack 3.5mm



Dimensions: mm.

ELECTRICAL SPECIFICATIONS	
Insulation	100 Megaohm min. @250 VDC.
Dielectric Strength	250 VAC for one minute
Contact Resistance	20 milliohm Max.
Life Cycle	10,000 cycles min.
RoHS Compliant by exemption	

Date Last Revised: 5-16-12

Available from Mouser Electronics
1-800-346-6873 / www.mouser.com

KC-301281

Specifications are subject to change without notice. No liability or warranty implied by this information. Environmental compliance based on producer documentation.

161-3520-EX