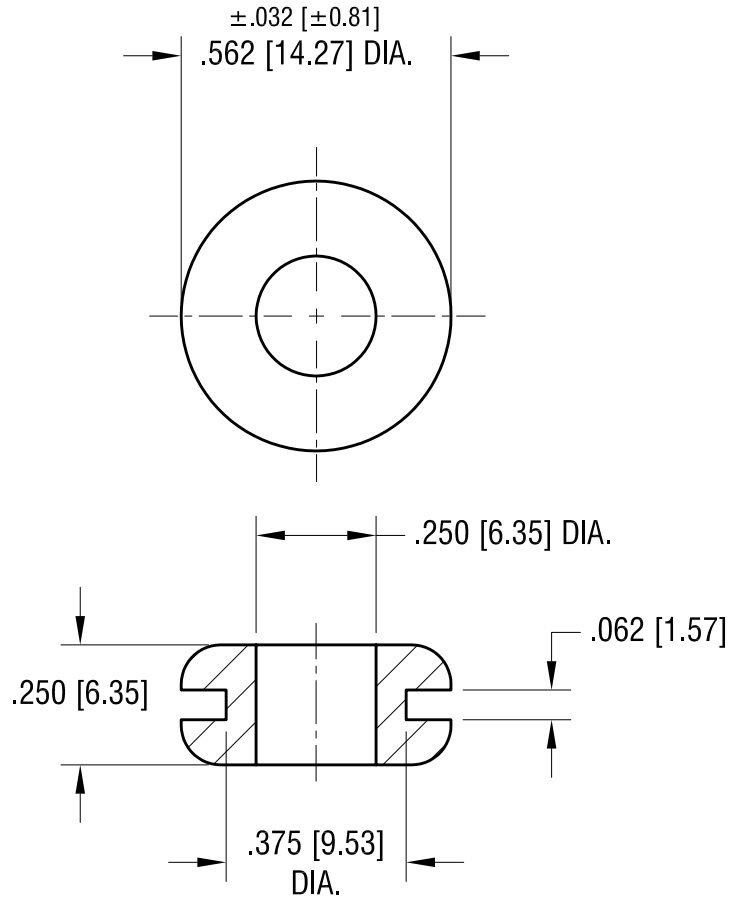


THIS DOCUMENT IS THE PROPERTY OF
KEYSTONE ELECTRONICS CORP. AND
SHALL NOT BE REPRODUCED, DISTRIBUTED
OR USED AS A BASIS FOR MANUFACTURE
WITHOUT PRIOR WRITTEN PERMISSION
FROM KEYSTONE ELECTRONICS CORP.



KEYSTONE ELECTRONICS CORP.			
ASTORIA, N.Y. 11105-2017			
PART NAME		RUBBER GROMMET	
MATERIAL		BUNA N	
FINISH	DRN BY	DATE	
-	BOONE	9.16.96	
	APP'D	SCALE	
	LN	2.5X	
TOLERANCES	INCH	[MM]	CODE
DECIMAL	$\pm .020$	$[\pm 0.50]$	C/M
ANGULAR	$\pm 1^\circ$		
UNLESS OTHERWISE SPECIFIED			DWG NO.
			739

1.02.08	CHANGE AS PER ECN 08-014	A
DATE	DESCRIPTION	REV.