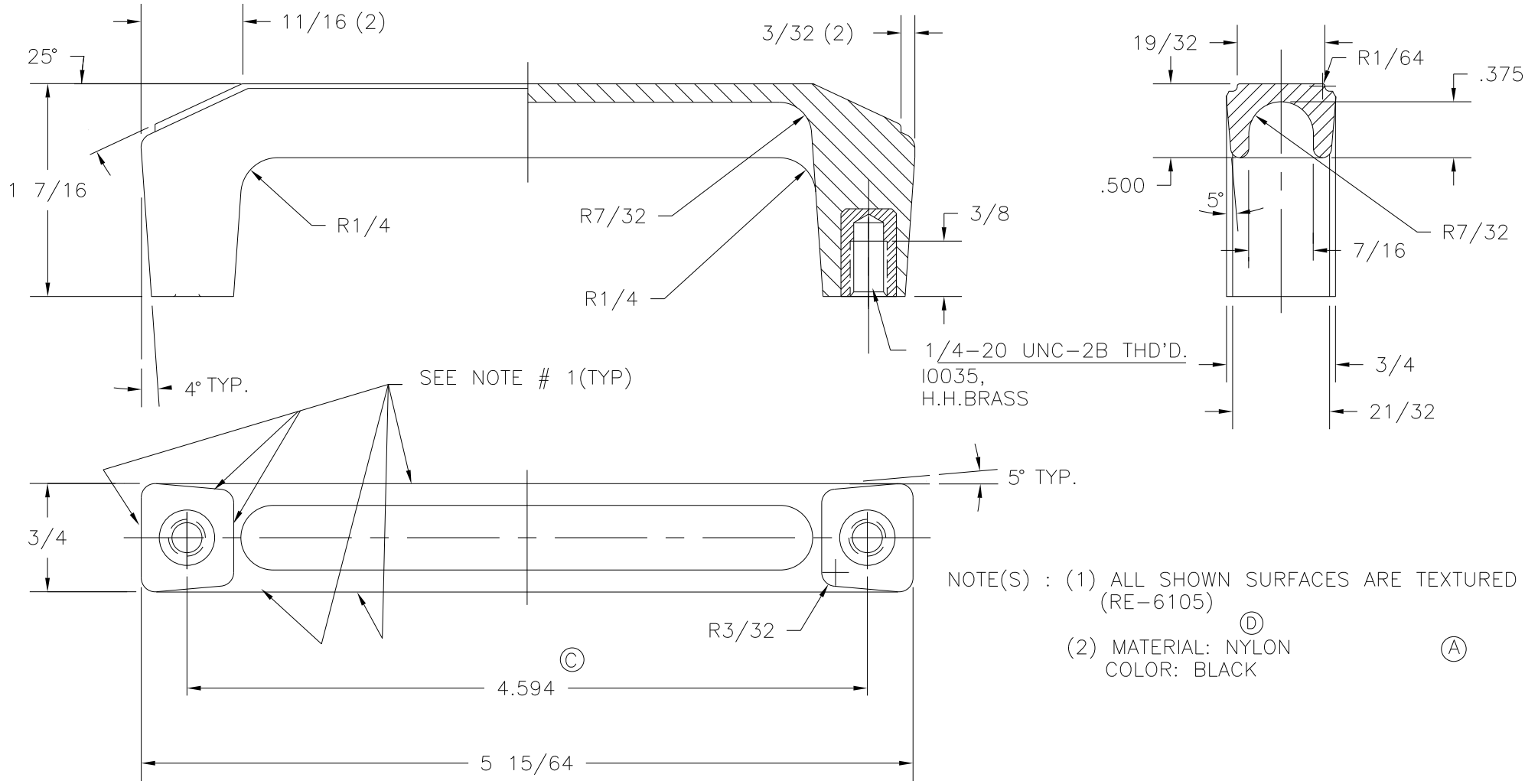


PART NAME: HANDLE SCALE: 1:1 DATE: 2/21/86 DR. BY HD
 THIS DRAWING IS THE PROPERTY OF DAVIES MOLDING COMPANY, IS SUBMITTED SOLELY AS A DESIGN OR ENGINEERING PROJECT.
 WE ACCEPT NO RESPONSIBILITY WHATSOEVER FOR THE PRACTICAL APPLICATION OF THE PIECES MADE TO THIS DESIGN.

DAVIES MOLDING DESIGNERS & MANUFACTURERS OF KNOBS, HANDLES, CASES & CUSTOM PLASTIC COMPONENTS

P/N 4580-B	
M NO.	FRAME # 53
CAVITY	4580
CORE	4580
PIN	4580-B
INSERT	10035

CAD/REDRAWN : 6/28/93 : HD



NOTE(S) : (1) ALL SHOWN SURFACES ARE TEXTURED (RE-6105)
 (2) MATERIAL: NYLON (D)
 COLOR: BLACK (A)

TOLERANCES: UNLESS OTHERWISE SPECIFIED	DO NOT SCALE DRAWING	D	WAS POLYPROPYLENE	JAM	8/20/09
		C	WAS 4 35/64 (B)	ST	8/15/2000
DECIMALS: X.XXX ± .005 X.XX ± .015	MM: X.XX ± 0.15MM X.X ± 0.4MM	B	WAS 4.606	HD	10/21/94
		A	MAT'L WAS ABS	HD	4/4/94
FRACTIONS ± 1/64	ANG. ± 1°	CHANGES			