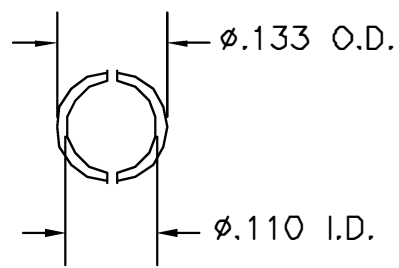
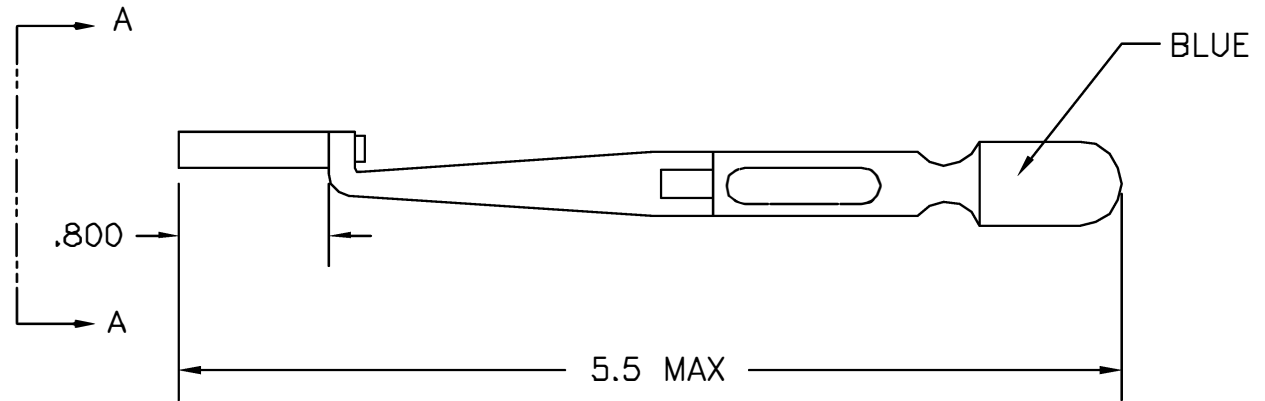


REVISIONS				
REV. SYM.	E.C.O. NUMBER	DESCRIPTION	BY DATE	APP'D DATE
1		ORIGINAL RELEASE	AWJ 11/28/00	RRR 11/29/00



VIEW A-A



**UNCONTROLLED DOCUMENT
WILL NOT BE UPDATED**

RESTRICTED & CONFIDENTIAL		ITEM	PART NO.	QTY.	DESCRIPTION/REMARKS
CONFIDENTIAL PROPERTY OF DANIELS MANUFACTURING CORP. NOT TO BE DISCLOSED TO OTHERS, REPRODUCED OR USED FOR ANY OTHER PURPOSE, EXCEPT AS AUTHORIZED IN WRITING BY DANIELS MANUFACTURING. MUST BE RETURNED TO DANIELS MANUFACTURING CORP. ON COMPLETION OF ORDER OR OTHER PURPOSE FOR WHICH LENT.		URN.	J. JOYCE	DATE 11/28/00	DANIELS MANUFACTURING CORP. ORLANDO, FLORIDA CAGE 71851
		CHK'D.	RRR	DATE 11/29/00	
		APP'D.		DATE	
		APP'D.		DATE	
		NOTE: THIS DRAWING IS AN OUTLINE DRAWING OF THE RESPECTIVE DMC PART NUMBER INDICATED. ACTUAL DMC PART NUMBER IS DRAWING NUMBER WITHOUT THE "-ENV" SUFFIX.			TITLE #16 INSTALLING TOOL ENVELOPE DRAWING
DO NOT SCALE DRAWING				WHERE USED SIZE B SCALE NTS CAD P/N DAK264-16-ENV SHEET 1 OF 1	
				POSTING DWG. NO. DAK264-16-ENV REV. 1	