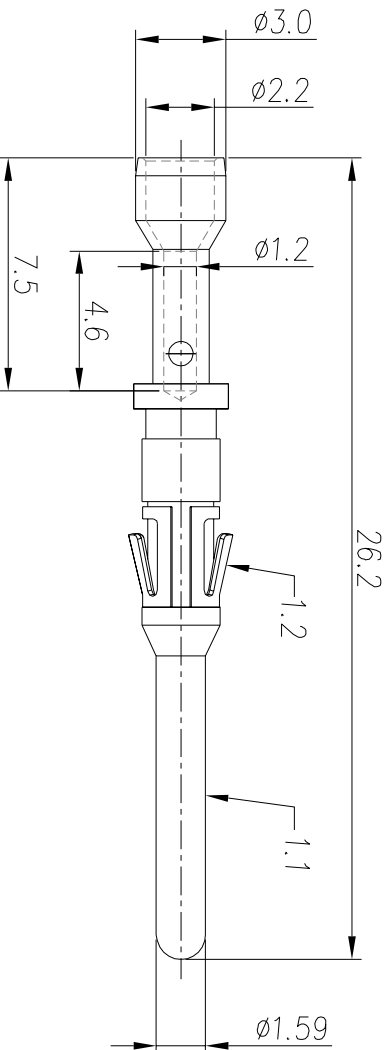


REVISIONS				
REV	ECO	DESCRIPTION	DATE	BY APPR
B1	-	RELEASED DRAWING	JUN-18-2014	BEN TOMMY



- NOTES : (UNLESS OTHERWISE SPECIFIED)
- MATERIAL :
 - CONTACT BODY : COPPER ALLOY.
 - POSITIONING CLIP : COPPER ALLOY.
 - SPECIFICATIONS :
 - CURRENT RATING : 13A(MAX).
 - TERMINATION TYPE : CRIMPING.
 - WIRE RANGE : 20~22AWG.
 - SUITABLE SOCKET TYPE : MS20M23XX.
 - ROHS COMPLIANT.
 - ALL DIMENSIONS ARE FOR REFERENCE USE ONLY.

P/N	CONTACT PLATING(MATING AREA)
MP20M23T	TIN PLATING OVER NICKEL
MP20M23S	SILVER PLATING OVER NICKEL
MP20M23F	GOLD FLASH PLATING OVER NICKEL.
MP20M23G10	10µ" GOLD PLATING OVER NICKEL.
MP20M23G15	15µ" GOLD PLATING OVER NICKEL.
MP20M23G30	30µ" GOLD PLATING OVER NICKEL.

QUANTITY	PART NUMBER	DESCRIPTION	ITEM
		MATERIALS LIST	

UNLESS OTHERWISE SPECIFIED	SIGNATURES	DATE
1) ALL DIMENSIONS ARE IN MILLIMETERS. 2) TOLERANCES ARE AS SHOWN. 3) UNLESS OTHERWISE SPECIFIED, ALL DIMENSIONS ARE IN MILLIMETERS. 4) UNLESS OTHERWISE SPECIFIED, ALL DIMENSIONS ARE IN MILLIMETERS. 5) UNLESS OTHERWISE SPECIFIED, ALL DIMENSIONS ARE IN MILLIMETERS.	DRAWN: BBI CHECKED: JHM/SMH ENGINEER: [Blank] APPROVAL: [Blank]	JUN-18-2014

PROCESS SPECIFICATIONS:	CUSTOMER:	SIZE	TYPE	DWG NO.	REVISION
NEXT ASST.	ECO-MATE PIN CONTACT MACHINE, 20-22AWG, SIZE 16	B	C-	MP20M23XX	B1

Amphenol
Sine Systems - www.amphenol-sine.com
44724 Morley Drive
Clinton Township, MI 48038