

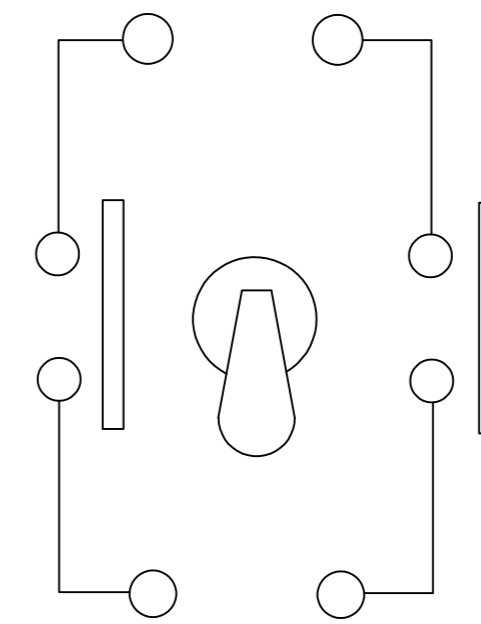
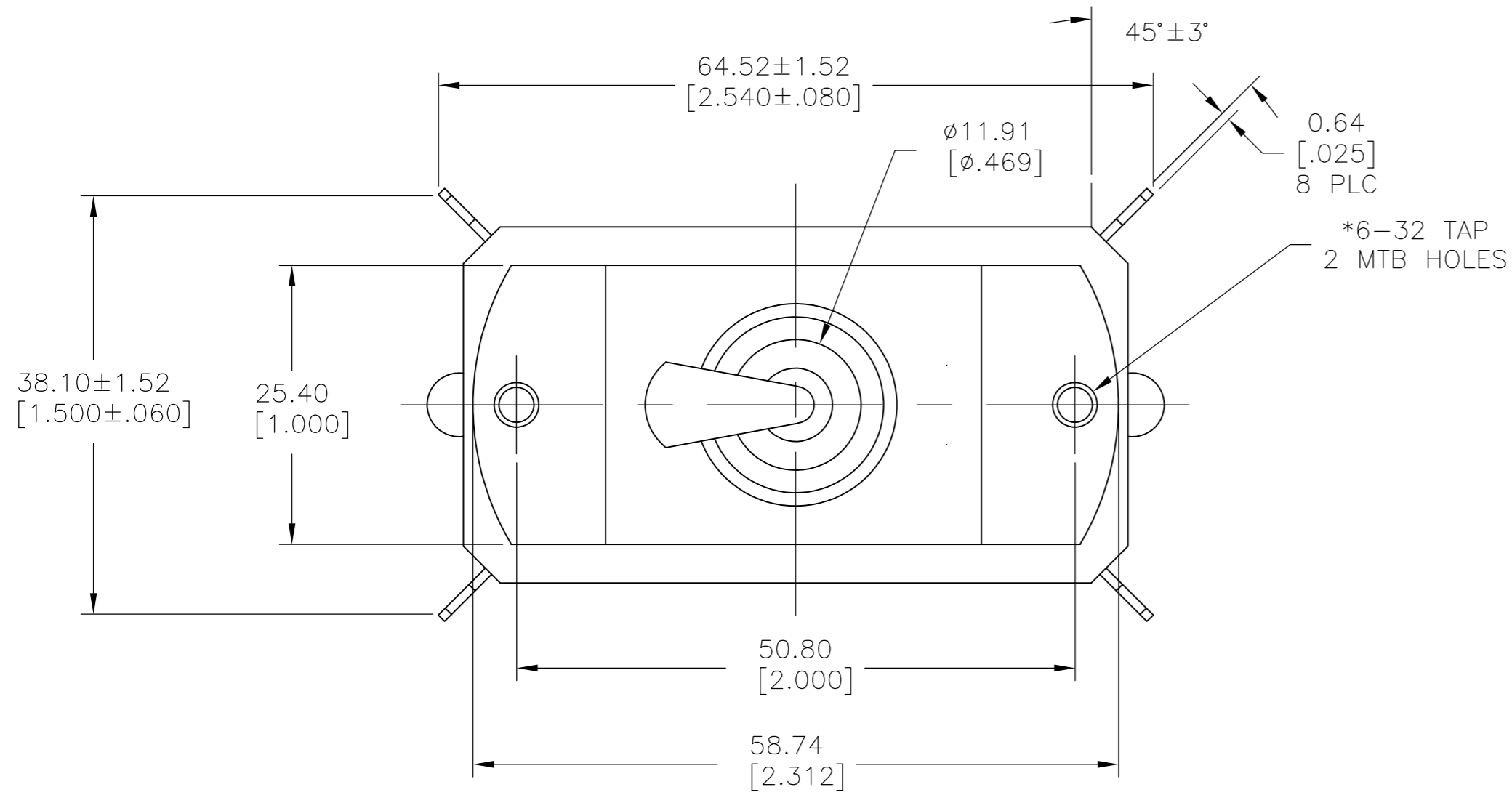
THIS DRAWING IS UNPUBLISHED. RELEASED FOR PUBLICATION  
 © COPYRIGHT - By - ALL RIGHTS RESERVED.

LOC		DIST		REVISIONS			
P	LTR	DESCRIPTION		DATE	DWN	APVD	
-	-	A	NEW DRAWING	31OCT12	KH	PO	

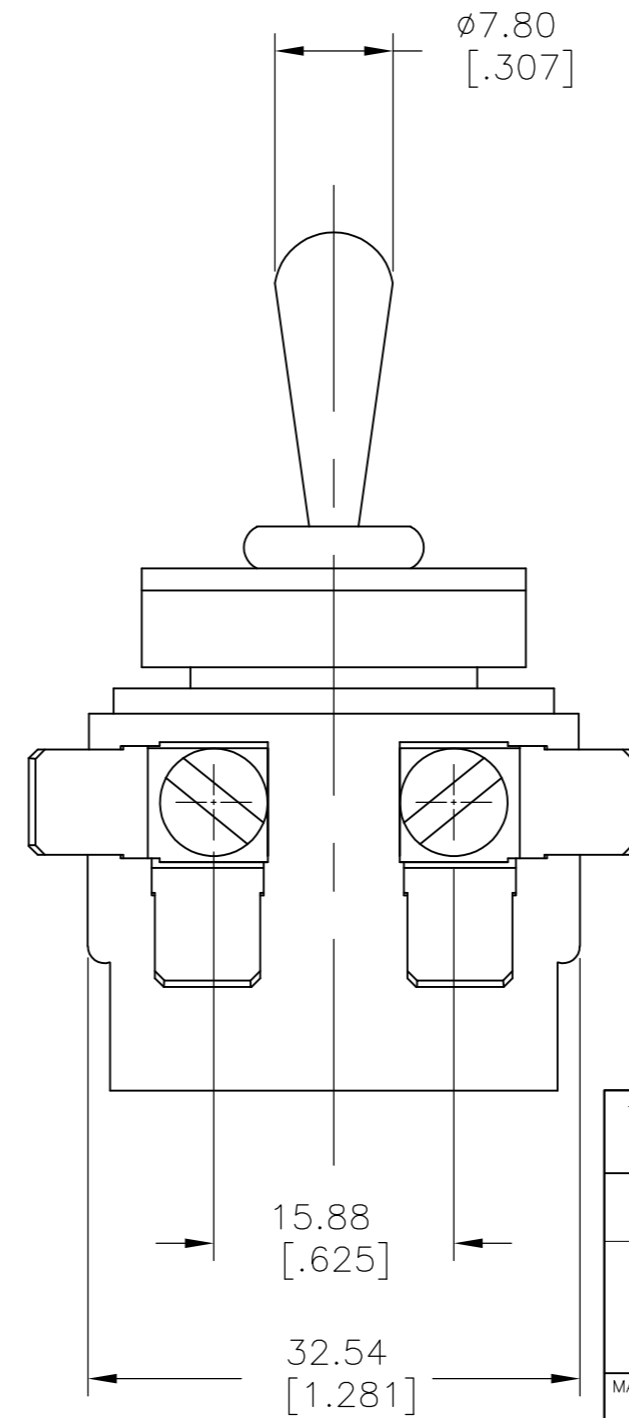
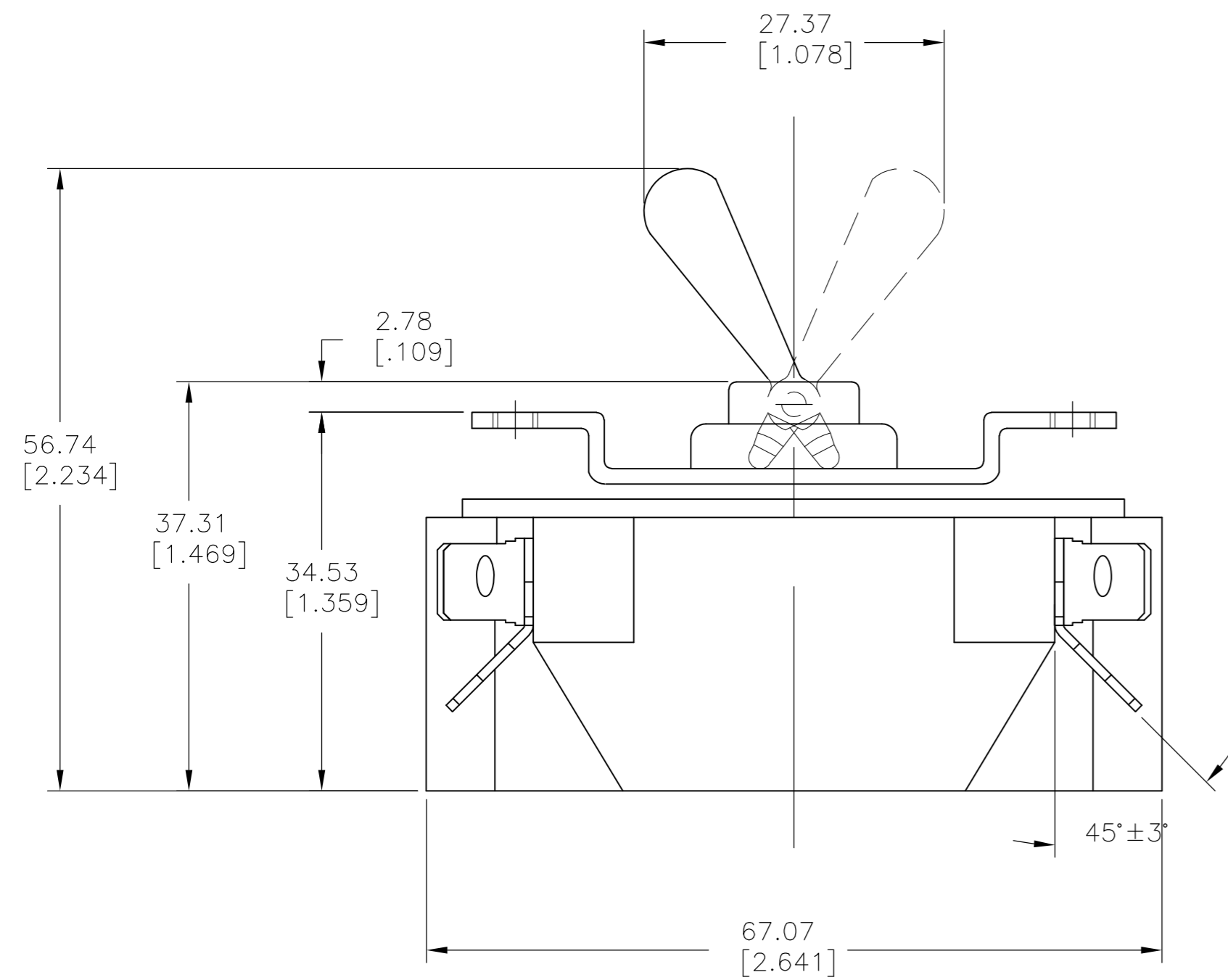
SPECIFICATIONS:

DOUBLE POLE-2 SINGLE THROW

20AMP 250 VOLT  
 TABS TO MEET SPECIFICATIONS FOR AMP  
 INC 250 SERIES FASTONS



CIRCUIT DIAGRAM



THIS DRAWING IS A CONTROLLED DOCUMENT.		DWN	KIRAN HOLAL	31OCT12				
DIMENSIONS:		CHK	OTT PETER	31OCT12				
mm [INCHES]		APVD	OTT PETER	31OCT12				
TOLERANCES UNLESS OTHERWISE SPECIFIED:		NAME						
0 PLC	± -	PRODUCT SPEC			TOGGLE SWITCH			
1 PLC	± -	APPLICATION SPEC			SIZE	CAGE CODE	DRAWING NO	RESTRICTED TO
2 PLC	± -	MATERIAL			A2	00779	C=1520241	-
3 PLC	± -	FINISH			CUSTOMER DRAWING			SCALE
4 PLC	± -	MATERIAL			SCALE 1:1			SHEET
ANGLES	± -	MATERIAL			SCALE 1:1			1 of 1
MATERIAL		MATERIAL			SCALE 1:1			REV
MATERIAL		MATERIAL			SCALE 1:1			A

1520241-1  
 PART NUMBER

**TE** Connectivity

TOGGLE SWITCH

SIZE: A2, CAGE CODE: 00779, DRAWING NO: C=1520241, RESTRICTED TO: -, SCALE: 1:1, SHEET: 1 of 1, REV: A