

4

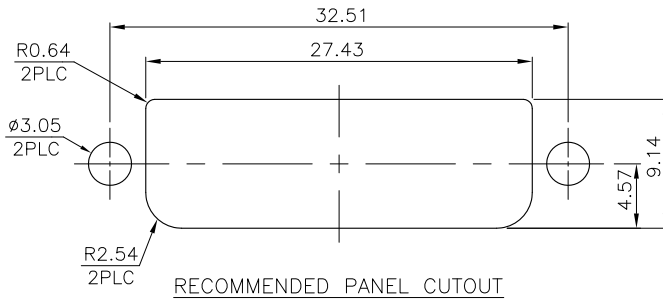
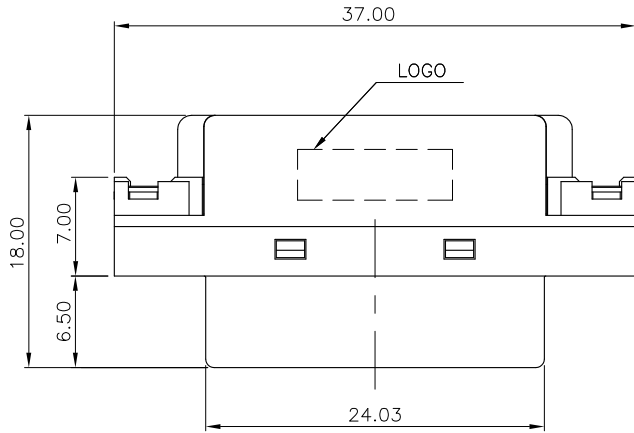
3

2

1

THIS DRAWING IS UNPUBLISHED. RELEASED FOR PUBLICATION  
COPYRIGHT BY TYCO ELECTRONICS CORPORATION. ALL RIGHTS RESERVED.

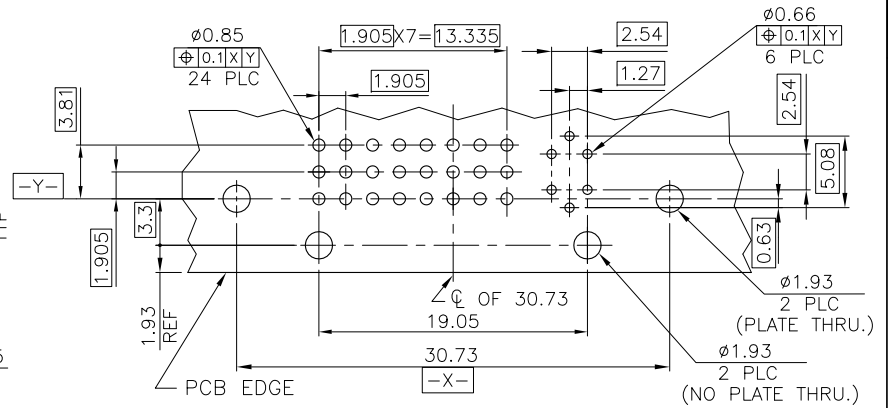
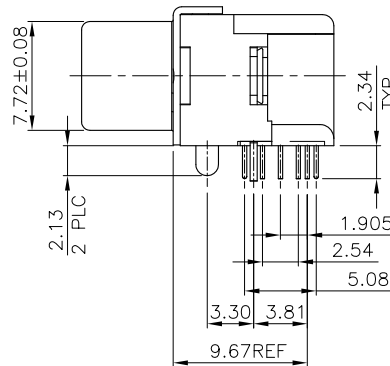
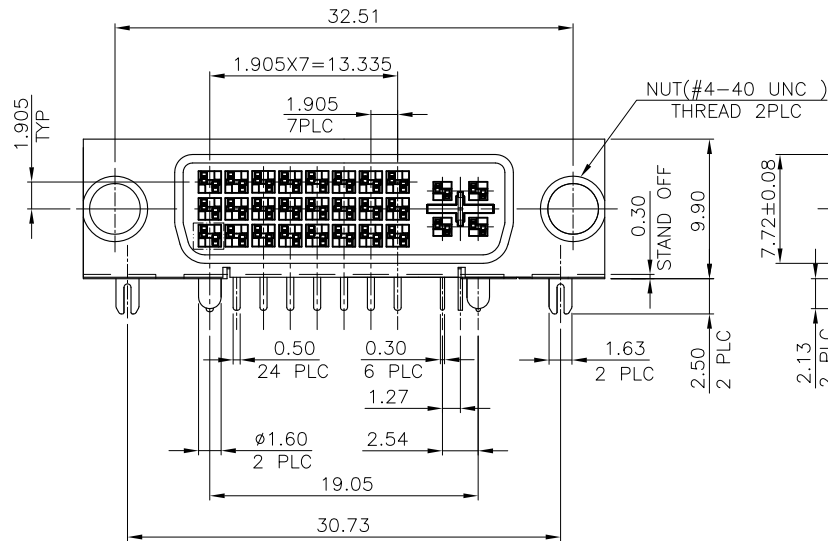
LOC	DIST	REVISIONS			
P	LTR	DESCRIPTION	DATE	DWN	APVD
DW					
	A2	REVISED (ECR-13-001312)	24JAN13	JL	WK



RECOMMENDED PANEL CUTOUT

NOTE:

- MATERIAL:  
HOUSING: LCP WITH 30% GF, UL 94V-0, NATURE COLOR.  
SPACER: LCP WITH 30% GF, UL 94V-0, NATURE COLOR.  
CONTACTS: PHOSPHOR BRONZE.  
SHELL: SPCC.  
NUTS AND SHELL TAILS: BRASS.
- FINISH:  
CONTACTS: 0.76µm [30µ"] GOLD PLATED ON CONTACT AREA.  
2.54µm [100µ"] MIN. BRIGHT-TIN PLATED ON SOLDER TAIL, WITH ENTIRE CONTACT UNDERPLATED 1.27µm [50µ"] MIN. NICKEL.  
SHELL: 1.27µm [50µ"] MIN. NICKEL PLATED.  
SHELL TAILS: 2.54µm [100µ"] MIN. BRIGHT-TIN PLATED OVER 1.27µm [50µ"] MIN. NICKEL UNDERPLATED OVER.  
NUTS: 1.27µm [50µ"] NICKEL PLATED.
- PIN-IN-PASTE CAPABLE TO 260°C IN ACCORDANCE WITH TEST SPECIFICATIONS 109-201 AND 109-202.



RECOMMENDED PCB LAYOUT  
TOP VIEW, TOLERANCE: ±0.05  
THICKNESS: 1.6mm

2041273-1  
PART NUMBER

THIS DRAWING IS A CONTROLLED DOCUMENT.		DWN J. LAI 02AUG2010	TE Connectivity	
		CHK S. CHIEN 02AUG2010		
DIMENSIONS: MM		APVD W. KODAMA 02AUG2010	NAME	
		PRODUCT SPEC 108-1941	DVI-I ANALOG&DIGITAL CONNECTOR, RCPT. RIGHT-ANGLE, W/O SCREW	
TOLERANCES UNLESS OTHERWISE SPECIFIED:		APPLICATION SPEC	RESTRICTED TO	
0 PLC ± 1 PLC ±0.3 2 PLC ±0.2 3 PLC ±0.15 4 PLC ± ANGLES ±3°		WEIGHT 10 GRAMS	SIZE A3	CAGE CODE 00779
MATERIAL SEE NOTE		CUSTOMER DRAWING	DRAWING NO G=2041273	SCALE -
FINISH SEE NOTE		SHEET 1 OF 4		REV A2

THIS DRAWING IS UNPUBLISHED.

RELEASED FOR PUBLICATION

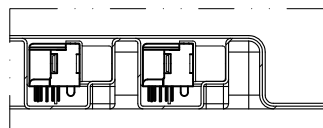
© COPYRIGHT BY TYCO ELECTRONICS CORPORATION. ALL RIGHTS RESERVED.

LOC DW

DIST -

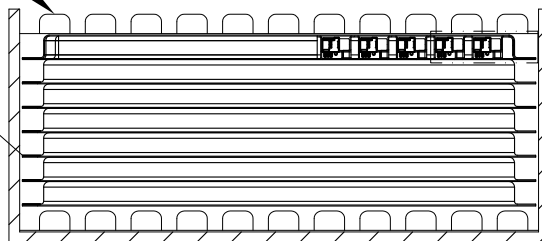
REVISIONS

P	LTR	DESCRIPTION	DATE	DWN	APVD
-	-	SEE SHEET 1.	-	-	-



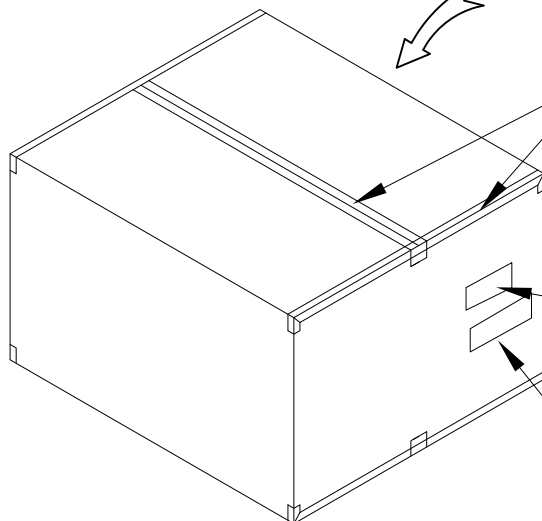
PARTITION

7 TRAY PER CARTON



- 1. MATERIAL:  
TRAY: PVC  
BOX: CORRUGATED FIBER.
- 2. DIMENSION:  
TRAY: SEE PAGE3,4  
BOX: L=326mm, W=245mm, H=140mm

TAPE



G.P.PASS

LABLE

5.20 Kg	3.55 Kg	60	7	420
GROSS WEIGHT	NET WEIGHT	PCS/TRAY	TRAYS/BOX	QUANTITY

THIS DRAWING IS A CONTROLLED DOCUMENT.		DWN	TE Connectivity		
DIMENSIONS: MM	TOLERANCES UNLESS OTHERWISE SPECIFIED:	CHK	NAME		
	0 PLC ± -	APVD	DVI-I ANALOG&DIGITAL CONNECTOR, RCPT. RIGHT-ANGLE, W/O SCREW		
	1 PLC ± -	PRODUCT SPEC	SIZE CAGE CODE DRAWING NO RESTRICTED TO		
	2 PLC ± -	APPLICATION SPEC	A3 00779 C=2041273 -		
	3 PLC ± -	WEIGHT	CUSTOMER DRAWING SCALE SHEET 2 OF 4 REV A2		
MATERIAL SEE NOTE	FINISH SEE NOTE	4 PLC ± -			
		ANGLES ± -			

4

3

2

1

THIS DRAWING IS UNPUBLISHED.

RELEASED FOR PUBLICATION

© COPYRIGHT BY TYCO ELECTRONICS CORPORATION. ALL RIGHTS RESERVED.

LOC

DIST

REVISIONS

DW

P

LTR

DESCRIPTION

DATE

DWN

APVD

SEE SHEET 1.

D

D

C

C

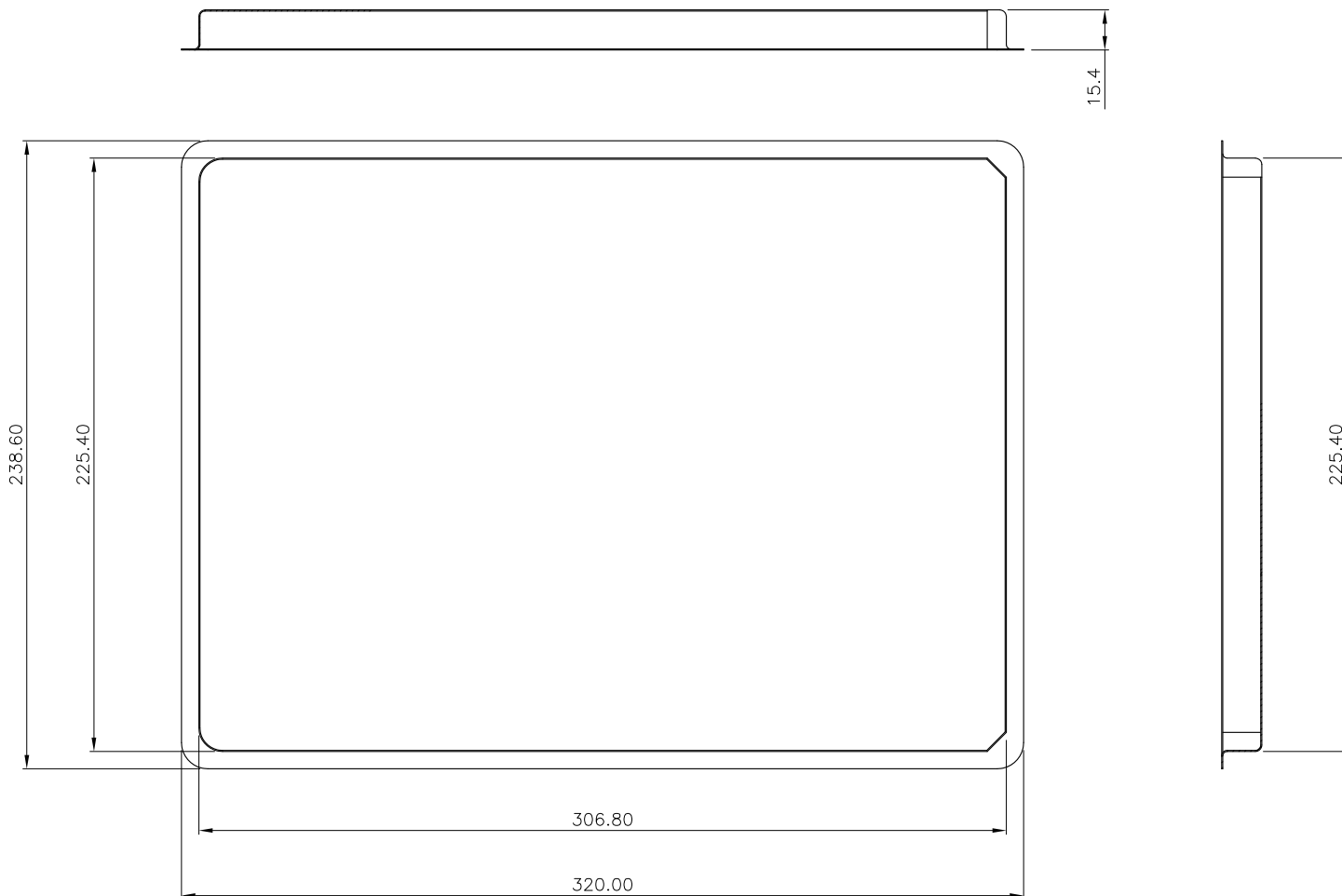
B

B

A

A

TOP TRAY



THIS DRAWING IS A CONTROLLED DOCUMENT.		DWN	TE Connectivity			
DIMENSIONS: MM		CHK	DVI-I ANALOG&DIGITAL CONNECTOR, RCPT. RIGHT-ANGLE, W/O SCREW			
TOLERANCES UNLESS OTHERWISE SPECIFIED:		APVD				
0 PLC ± -		NAME				
1 PLC ± 0.3		PRODUCT SPEC				
2 PLC ± 0.3		APPLICATION SPEC	SIZE	CAGE CODE	DRAWING NO	RESTRICTED TO
3 PLC ± -		WEIGHT	A3	00779	G=2041273	-
4 PLC ± -		CUSTOMER DRAWING	SCALE	SHEET	REV	
4 ANGLES ± 3'			-	3 of 4	A2	
MATERIAL	FINISH					
SEE NOTE	SEE NOTE					

4

3

2

1

THIS DRAWING IS UNPUBLISHED.

RELEASED FOR PUBLICATION

© COPYRIGHT BY TYCO ELECTRONICS CORPORATION. ALL RIGHTS RESERVED.

LOC

DIST

REVISIONS

DW

P

LTR

DESCRIPTION

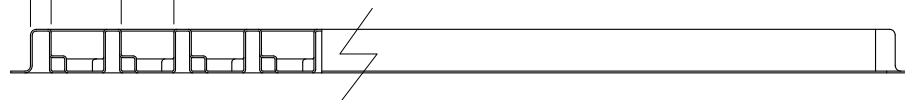
DATE

DWN

APVD

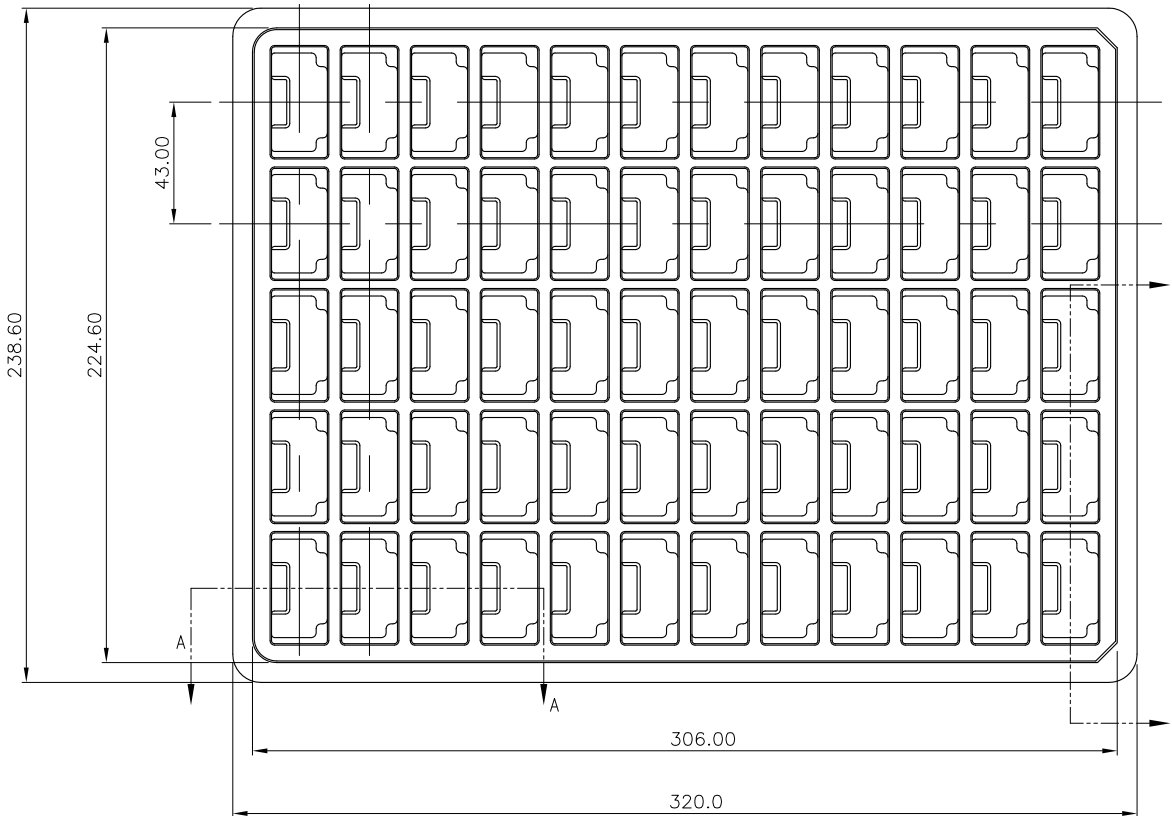
SEE SHEET 1.

7.30 18.60<sup>+0.00</sup><sub>-0.30</sub>

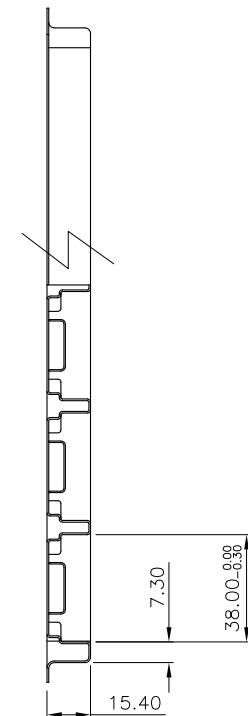


SEC A-A


24.80



BOTTOM TRAY



SEC B-B

THIS DRAWING IS A CONTROLLED DOCUMENT.		DWN	 <b>TE Connectivity</b>				
DIMENSIONS: MM		CHK			NAME		
TOLERANCES UNLESS OTHERWISE SPECIFIED:		APVD					
0 PLC ± - 1 PLC ± 0.3 2 PLC ± 0.3 3 PLC ± - 4 PLC ± - ANGLES ± 3°		PRODUCT SPEC					
MATERIAL SEE NOTE		FINISH SEE NOTE	APPLICATION SPEC	SIZE	CAGE CODE	DRAWING NO	RESTRICTED TO
			WEIGHT	A3	00779	G=2041273	-
			CUSTOMER DRAWING	SCALE	SHEET	4 OF 4	REV A2

DVI-I ANALOG&DIGITAL CONNECTOR, RCPT. RIGHT-ANGLE, W/O SCREW