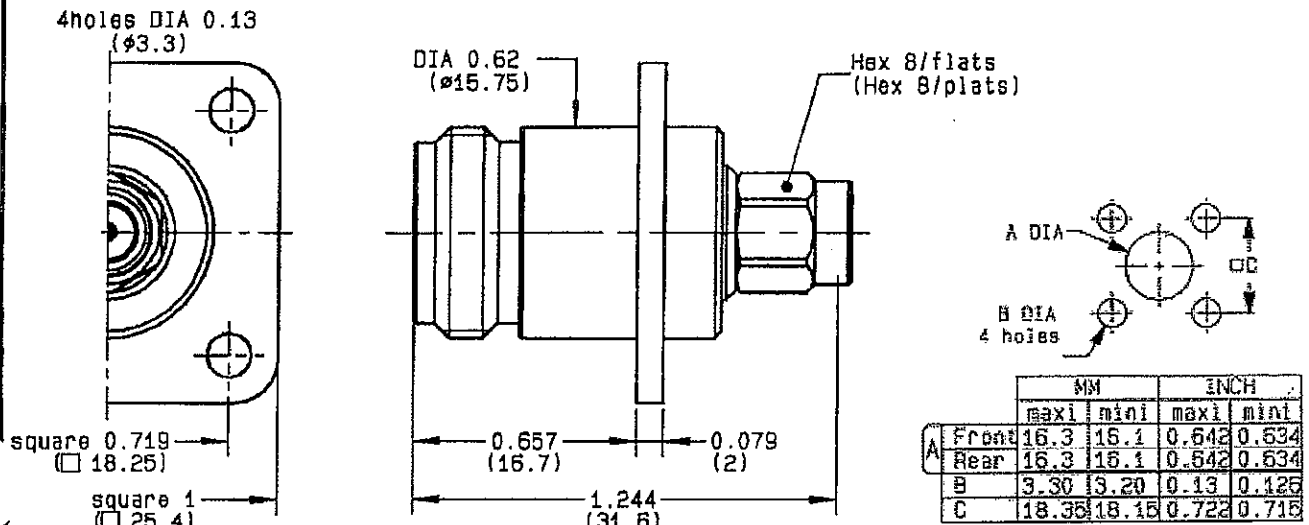


ADAPTER BETWEEN N SERIES FEMALE - SMA SERIES MALE  
FLANGE RECEPTACLE



CHARACTERISTICS

NOMINAL IMPEDANCE	50	Ω
FREQUENCY RANGE	0-11	GHz
TEMPERATURE RATING	-55/+155	°C
VSWR	1.20 +	- x F(GHz)Max1
RF INSERTION LOSS	TBD	√F(GHz) dB Max1
VOLTAGE RATING	500	Vrms Max
DIELECTRIC WITHSTANDING VOLTAGE	1500	Vrms min
INSULATION RESISTANCE	5000	MΩmin
HERMETIC SEAL	-	co/s Atm.cm3/s
LEAKAGE (pressurized only)	-	psi MPa
WEIGHT	0	Oz g

STANDARDISATION

CABLE RETENTION

CENTER CONTACT RETENTION

Axial force - mating end	6.06 <sup>27</sup>	lb min N
Axial force - opposite end	6.06 <sup>27</sup>	lb min N
Torque (Min)	0	Inch.oz cm.N
RECOMMENDED TORQUES		
Mating	9.73 <sup>110</sup>	Inch.lb cm.N
Panel nut	0	Inch.lb cm.N
Clamp nut	0 NA	Inch.lb cm.N

CONSTRUCTION

CONNECTOR PARTS	MATERIALS	FINISH
BODY	BRASS	NICKEL
OUTER CONTACT	-	-
CENTER CONTACT	BERYLLIUM COPPER	GOLD
INSULATOR	PTFE	-
GASKET	SILICONE RUBBER	-
SMA BODY	BERYLLIUM COPPER	NICKEL
COUPLING NUT	BERYLLIUM COPPER	NICKEL
-	-	-
-	-	-

ISSUE	REVISION No	DESCRIPTION	BY	DATE
-	-	-	-	-
9540	96.06.029	Insertion force N socket ,N rev range .	BONHINI	05-10-96

Initiated on 14/10/92  
Approval by constantin

The information given here is subject to change without notice. Design changes may be in order to improve the product.

