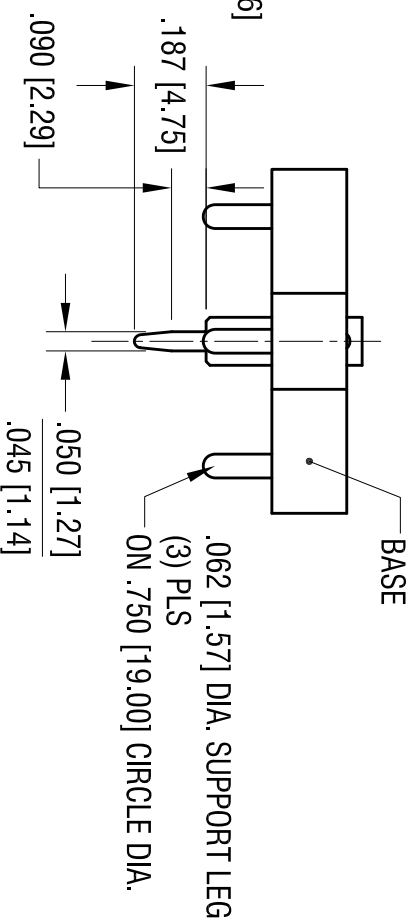
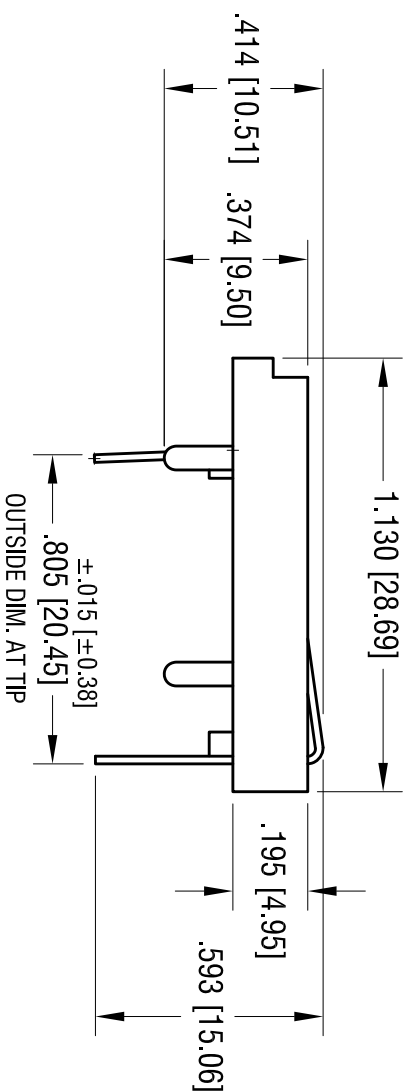
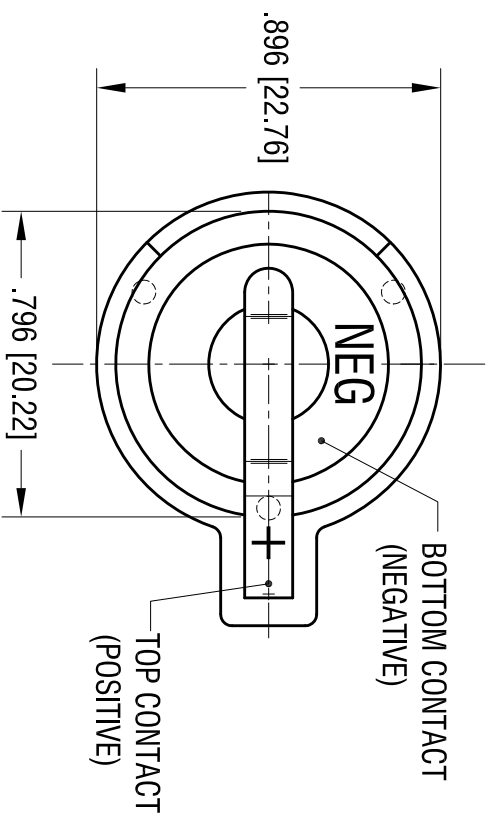
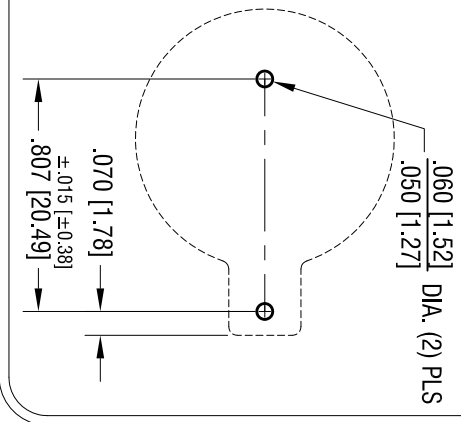


MOUNTING HOLES



DATE

11.2.11

DESCRIPTION

CHANGE AS PER ECN 11-144

REV.

A

KEYSTONE ELECTRONICS CORP.

www.keystone.com • NEW HYDE PARK, NY 11040 • Tel (516) 328-7500

PART NAME

COIN CELL PC BATTERY HOLDER

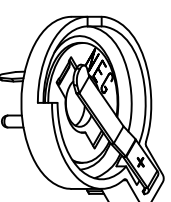
MATERIAL

AS NOTED

FINISH

AS NOTED

ACTUAL SIZE



- NOTES:
1. BASE:
MAT'L - PBT (UL 94V-0), COLOR BLACK
 2. CONTACTS (TOP AND BOTTOM):
MAT'L - .020 [0.50] THK SPRING STEEL
FINISH: TIN NICKEL PLATE

THIS DOCUMENT IS THE PROPERTY OF KEYSTONE ELECTRONICS CORP. AND SHALL NOT BE REPRODUCED, DISTRIBUTED OR USED AS A BASIS FOR MANUFACTURE WITHOUT PRIOR WRITTEN PERMISSION FROM KEYSTONE ELECTRONICS CORP.

TOLERANCES	INCH	[MM]	CODE	DWG NO.
DECIMAL	± .010	[± .025]	C	
ANGULAR	± 1°			

DRN BY	DATE
BOONE	3.4.05

APP'D	SCALE
LN	2X

101