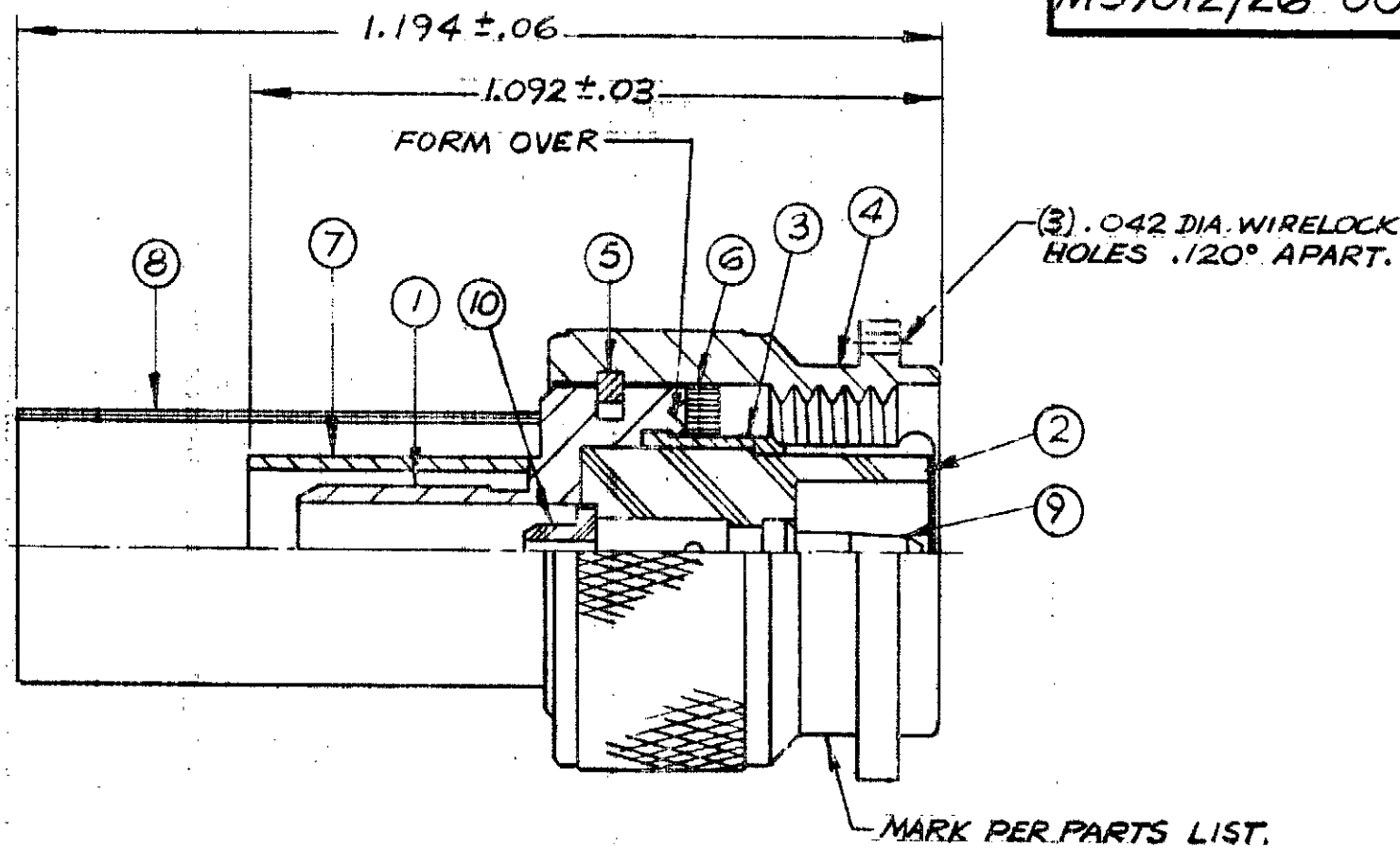


M39012/26-0014



NOTES:

- 1. MATING END DIMENSIONS PER MD-108
- 2. PACKAGE ITEMS 7, 8, 9 & 10 LOOSE WITH CONNECTOR.

| | | | | | | | |
|-----|-----------------|-------|-------------|--|---------------------------|--|-------------------------|
| SYM | DESCRIPTION | DATE | APPR. | UNLESS OTHERWISE SPECIFIED 1 ALL DIMENSIONS ARE AFTER PLATING 2 BREAK ALL CORNERS & EDGES .006 R MAX. 3 CHAMFER 1ST & LAST THREADS 45° 4 SURFACE ROUGHNESS 63 MIL STD-15 5 DIAMETERS ON COMMON CENTERS TO BE CONCENTRIC WITHIN .005 T.I.R. 6 REMOVE ALL BURRS DIMENSIONS ARE IN INCHES TOLERANCES DECIMALS FRACTIONAL ANGULAR X ± .030 1/64 X' ± 1'0" XX ± .015 X'X ± 15' XXX ± .008 | SOLITRON/MICROWAVE | | REF. |
| - | REL F-11009 | 11/87 | [Signature] | | PORT SALERNO, FLORIDA | | TITLE |
| A | REV. DCN. 20666 | 4-93 | [Signature] | MATERIAL _____ | | TNC PLUG CRIMP TYPE FOR RG-71/U D.B. CABLE | |
| | | | | FINISH _____ AREA _____ | | | |
| | | | | DRAWN [Signature] | CODE IDENT. NO. | SIZE | DRAWING NO. SHT. 2 OF 2 |
| | | | | CHECKED [Signature] | 95077 | A | M39012/26-0014 |
| | | | | APPROVED [Signature] | | | |