

PART NAME

OPEN RELAY RACK

PART No.

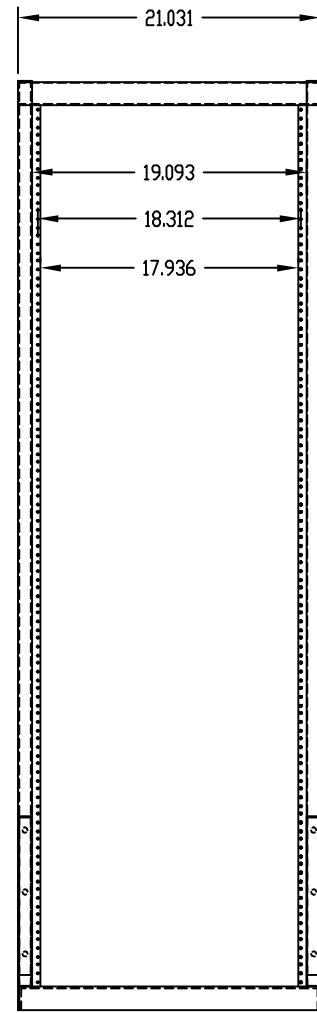
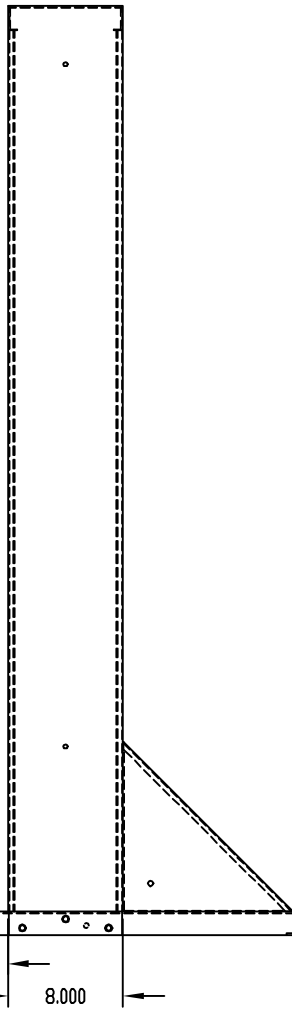
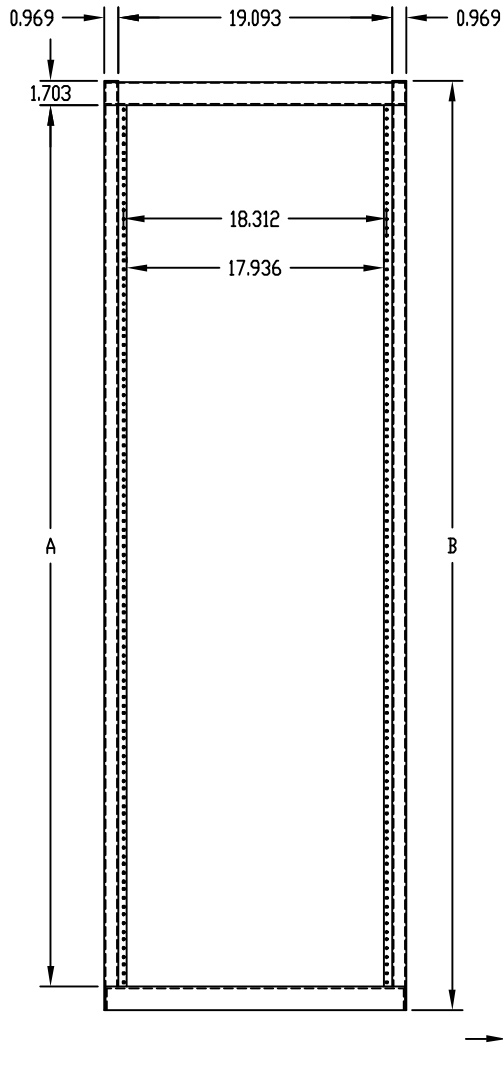
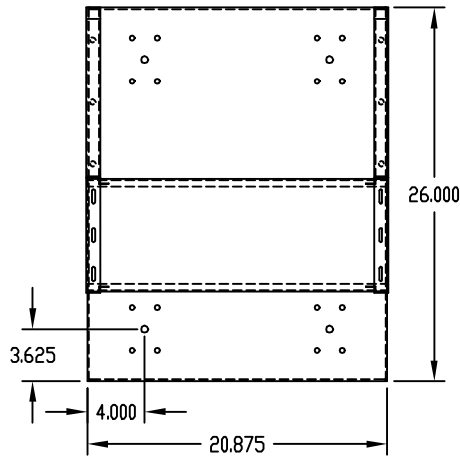
RR-1367 TO RR-1369

MATERIAL:

BASE _____ 12 GA. STEEL
 SUPPORT ANGLE & RAIL ASSEMBLY _____ 14 GA. STEEL

FINISH: METALLIC GRAY OR
 BLACK TEXTURED

PANEL MOUNTING FLANGES RECESSED 3/8 IN. AND
 TAPPED #10-32 ON E.I.A. UNIVERSAL SPACING.
 MOUNTING HOLES PIERCED IN BASE FOR #RC-7758 CASTERS.
 UNIT SHIPPED UNASSEMBLED.



PART No.	A	B
RR-1367	61.375	64.703
RR-1368	70.125	73.453
RR-1369	77.125	80.453