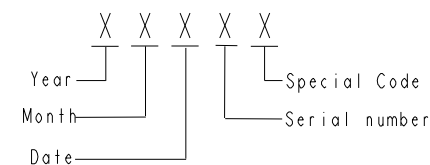
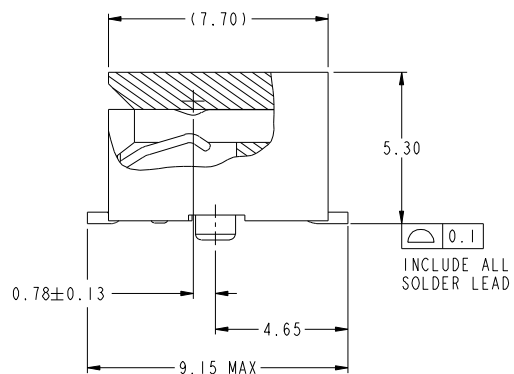
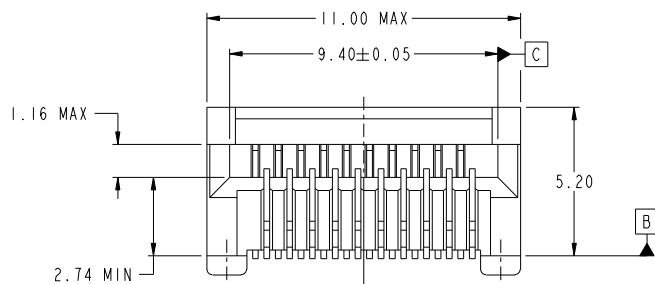
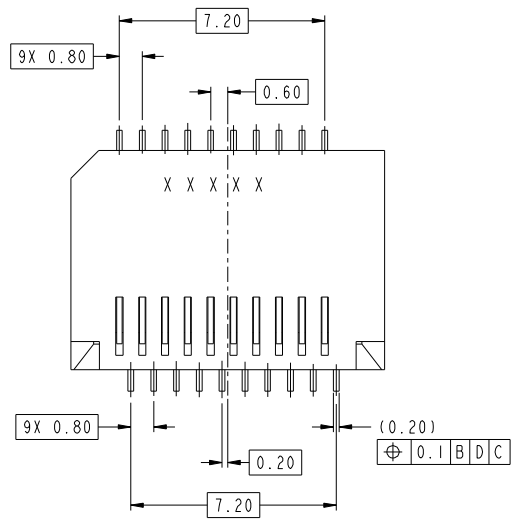
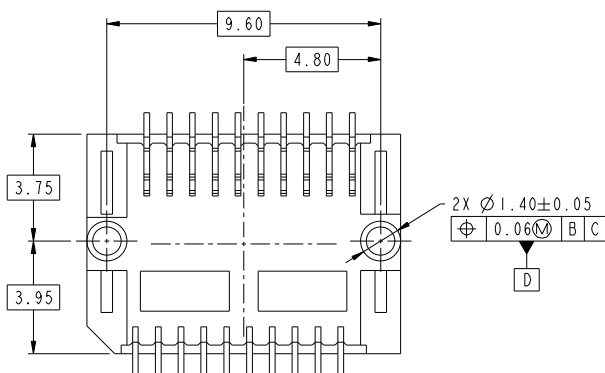


PRODUCT NUMBER	CONTACT AREA PLATING	PACKAGING
10099099-111LF	0.76µm Au	TAPE AND REEL



DATE CODE DESCRIPTION



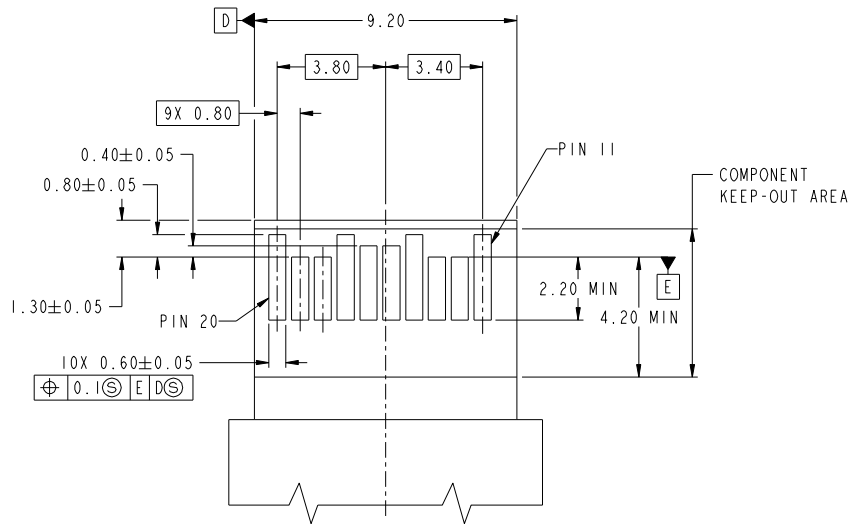
NOTES:

1. MATERIAL:
HOUSING: THERMOPLASTIC, BLACK, UL 94V-0.
CONTACT: PHOSPHOR BRONZE.
2. PLATING:
UNDERPLATE: 1.27µm MIN NICKEL OVER ALL
SOLDER AREA: 3.81µm MIN TIN(LEAD FREE)
MATING AREA: SEE PRODUCT NUMBER TABLE.
3. DESIGNED TO CONFORM WITH SFP+ MSA SPECIFICATION.
4. PRODUCT SPECIFICATION: GS-12-616
5. APPLICATION SPECIFICATION: GS-20-125
6. PRODUCT MEETS EUROPEAN UNION DIRECTIVES AND OTHER COUNTRY REGULATIONS AS DESCRIBED IN GS-22-008.
7. DATE CODE BE PRINTED ON PROPER SURFACE.

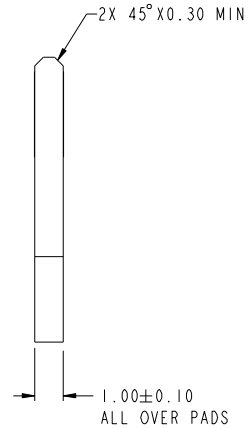
Copyright FCI.

www.fciconnect.com		surface	tolerance std	projection	MM
		ASME Y14.5	ASME Y14.5		
		TOLERANCES UNLESS OTHERWISE SPECIFIED			
Dr	S. MANI	2009-04-08	ANGULAR	0.x	±0.2
Eng	M. GRAY	2009-05-21	LINEAR	0.xx	±0.15
Chr	M. GRAY	2009-05-21	0°	±	
Appr	M. GRAY	2009-05-21	Product family		SFP+
		Product family		Spec ref	RELEASE
FCI	SPP+ 20 POSITION		cat no	10099099	Rev.
		STANDARD TYPE			B
		CUSTOMER		sheet 1 of 3	

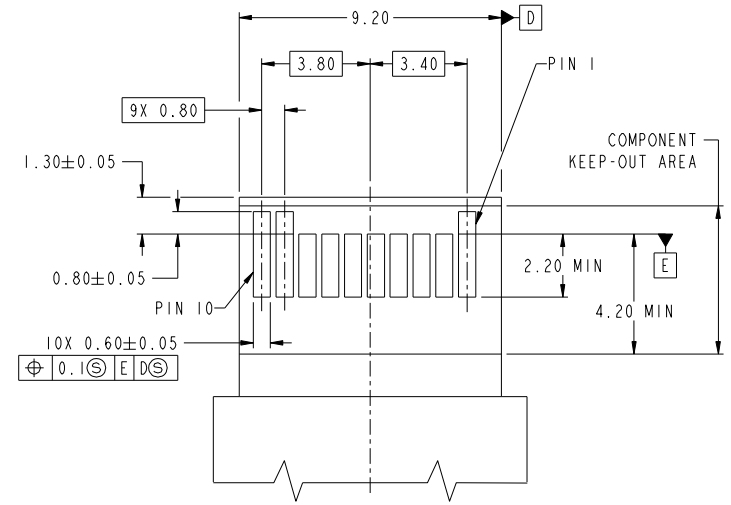
PRODUCT NUMBER
10099099-111LF



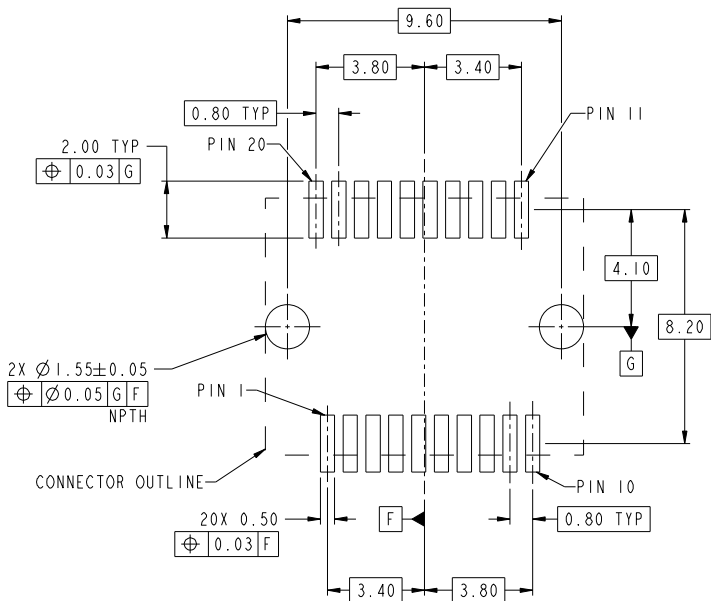
TOP VIEW OF BOARD



RECOMMENDED MATING PCB CONFIGURATION



BOTTOM VIEW OF BOARD

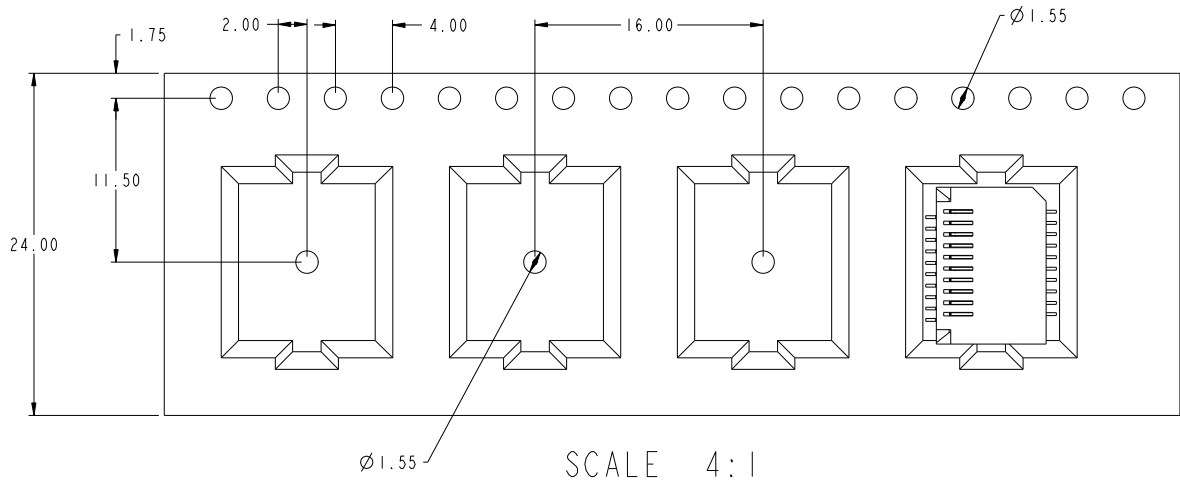


RECOMMENDED PCB CONFIGURATION

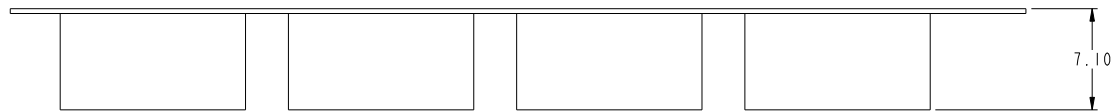
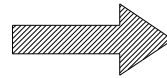
Copyright FCI.
FCI

www.fciconnect.com		surface ASME Y14.5	tolerance std ASME Y14.5	projection	MM
		TOLERANCES UNLESS OTHERWISE SPECIFIED			
Dr	S. MANI	2009-04-08	ANGULAR	0.x	±0.2
Eng	M. GRAY	2009-05-21	LINEAR	0.xx	±0.15
Chr	M. GRAY	2009-05-21	0°	0.xxx	±
Appr	M. GRAY	2009-05-21	Product family	SFP+	Spec ref
FCI		SFP+ 20 POSITION		size	A2
STANDARD TYPE				Scale	1:1
catalog no				ECN	N10-0376
				RELEASE	
				10099099	Rev.
				B	
		CUSTOMER		sheet 2 of 3	

TAPE-ON-REEL PACKAGING TYPE



UN-REELING DIRECTION OF FEED



Copyright FCI.
FCI

www.fciconnect.com		surface ASME Y14.5	tolerance std ASME Y14.5	projection	MM
TOLERANCES UNLESS OTHERWISE SPECIFIED					
Dr	S. MANI	2009-04-08	ANGULAR	0.x	±0.2
Eng	M. GRAY	2009-05-21	LINEAR	0.xx	±0.15
Chr	M. GRAY	2009-05-21	0° ±1"	0.xxx	±
Appr	M. GRAY	2009-05-21	Product family	SFP+	Spec ref
FCI				size	A2
TITLE				ECN	N10-0376
SPP+ 20 POSITION				Spec ref	RELEASE
STANDARD TYPE				10099099	Rev.
catalog no				CUSTOMER	sheet 3 of 3