

4

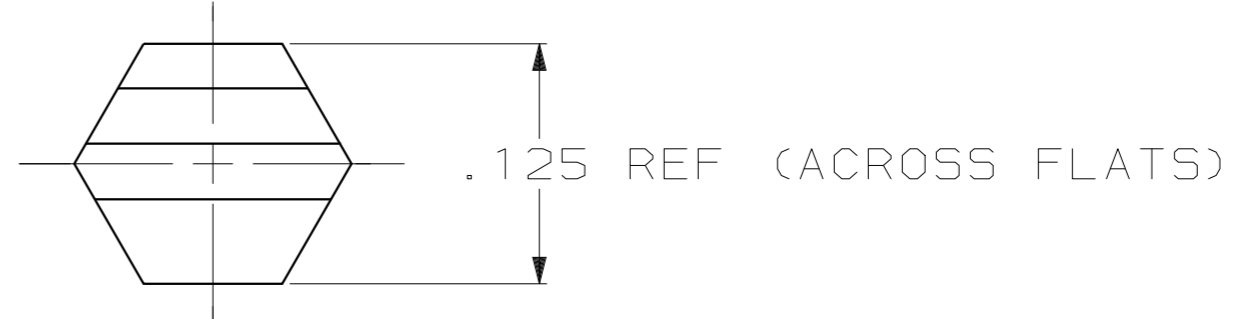
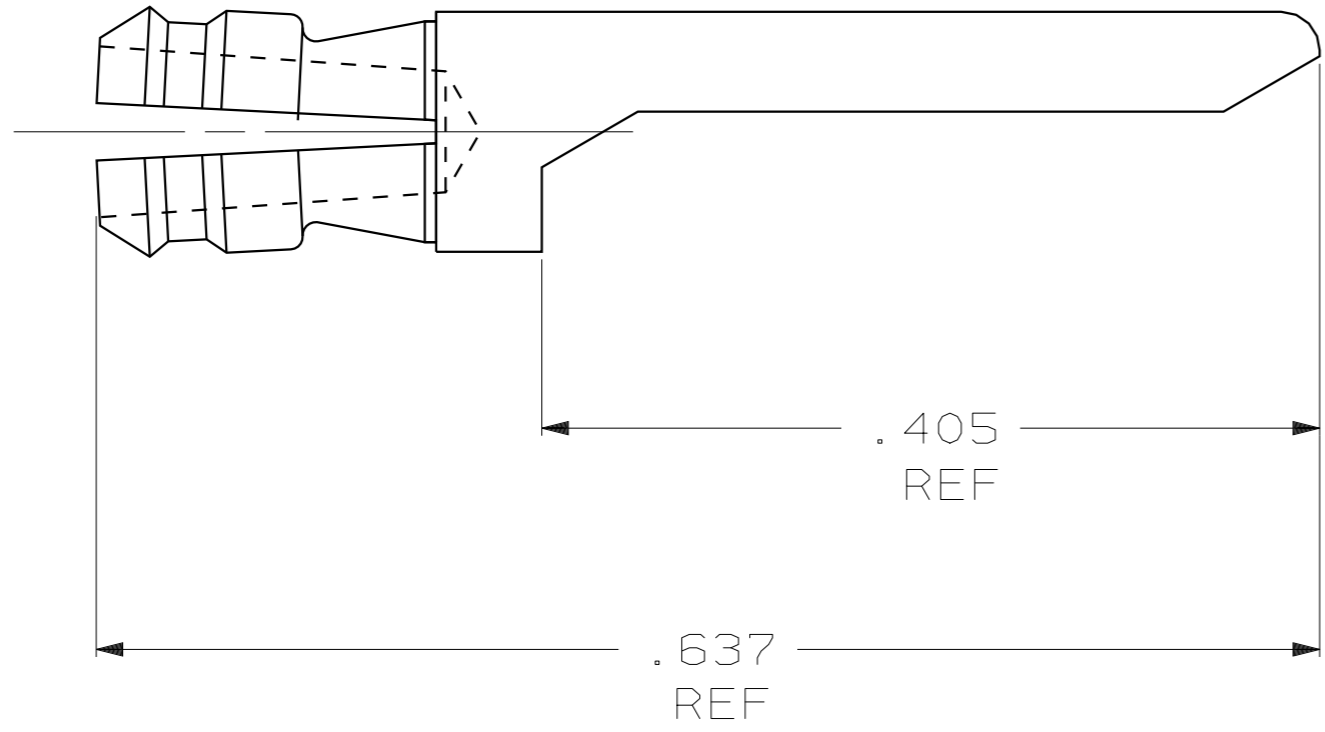
3

2

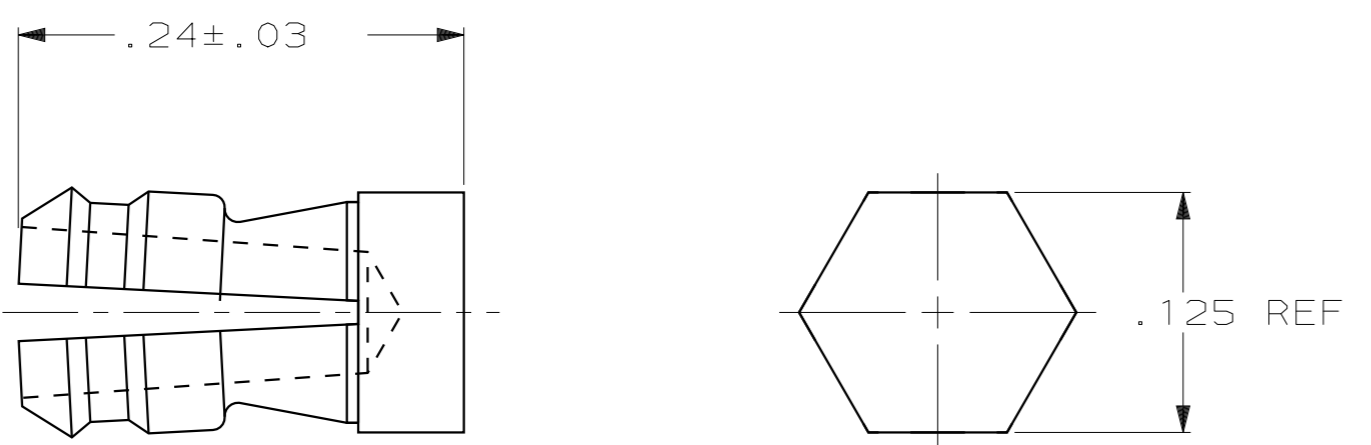
1

THIS DRAWING IS UNPUBLISHED. RELEASED FOR PUBLICATION ,19  
 © COPYRIGHT 19 BY AMP INCORPORATED. ALL RIGHTS RESERVED.

LOC		DIST		REVISIONS			
P	LTR	DESCRIPTION		DATE	DWN	APVD	
DF	AO	H		REV PER 0H14-0867-04	12-9-04	CT	SG



213384-1 ONLY



DETAIL T  
213384-4 ONLY

SEE DETAIL T	213384-4
AS SHOWN	213384-1
DESCRIPTION	PART NUMBER

THIS DRAWING IS A CONTROLLED DOCUMENT.		DWN	C.C. THOMAS	12-8-04	  TYCO Electronics Harrisburg, PA 17105-3608		
DIMENSIONS: INCHES		CHK	S. GLATFELTER	12-8-04			
TOLERANCES UNLESS OTHERWISE SPECIFIED:		APVD	S. GLATFELTER	12-8-04			
0 PLC ±- 1 PLC ±- 2 PLC ±- 3 PLC ±- 4 PLC ±- ANGLES ±-		PRODUCT SPEC	-				
MATERIAL	ALUMINUM	FINISH	CHROMATE COATION	PER MIL-C-5541	APPLICATION SPEC	-	
CUSTOMER DRAWING		WEIGHT	-		NAME	HEXAGONAL KEY WIRE INTERGRATION UNIT CONNECTOR	
SCALE 10:1		SHEET	1 OF 1		SIZE	A2	CAGE CODE 00779
REV H		DRAWING NO		213384		RESTRICTED TO	