

4

3

2

1

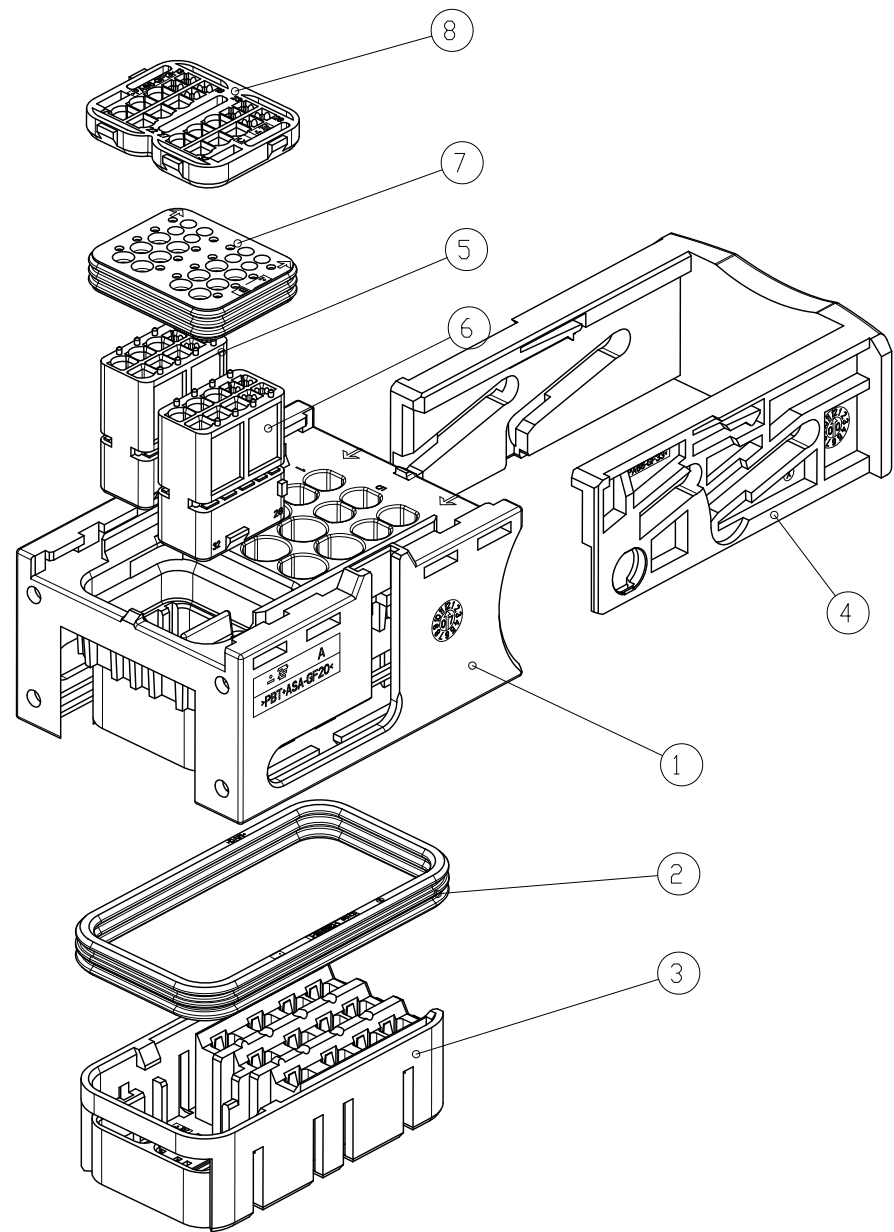
THIS DRAWING IS UNPUBLISHED.

RELEASED FOR PUBLICATION

© COPYRIGHT

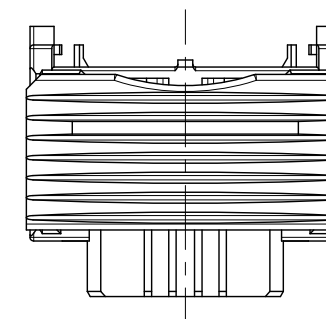
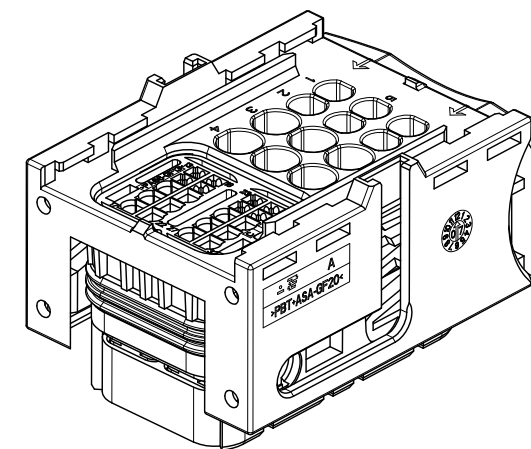
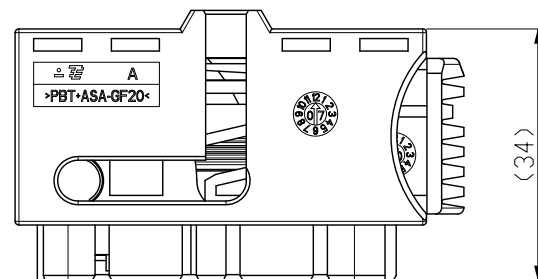
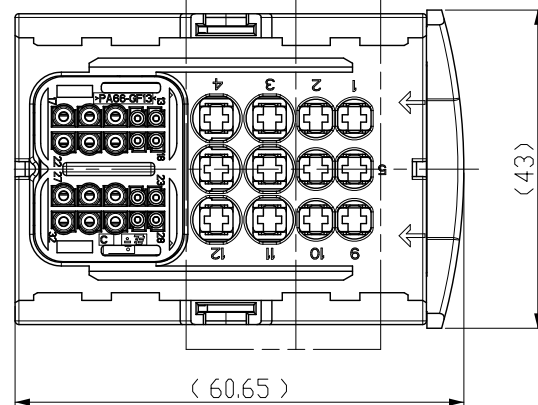
ALL RIGHTS RESERVED.

LOC	DIST	REVISIONS					
		P	LTR	DESCRIPTION	DATE	DWN	APVD
DS			B	REVISED (ECR-11-023807)	28.DEC.'11	YH	HG
			C	REVISED (ECR-12-010482)	05.APR.'12	YH	HG
			C1	REVISED (ECR-13-006743)	22.APR.'13	YH	HG



① MCP 2.8 TERMINAL(6X) IN THIS AREA
WIRE SIZE RANGE 2.0~3.0mm²
(INSULATION 2.6~3.7mm)

① MCP 2.8 TERMINAL(6X) IN THIS AREA
WIRE SIZE RANGE 0.5~2.5mm²
(INSULATION 1.4~3.0mm)



ASS'Y P/N
2005217-2

Notes

- 1. SUITABLE RETAINERS: 2005216, 2005222
- 2. SUITABLE CONTACTS : SEE TABLE

CONTACT NAME	WIRE SIZE RANGE (mm ²)	DIAMETER OF INSULATION (mm)	TERMINAL PART NUMBER	SING WIRE SEAL	CAVITY PLUG	USED CIRCUIT NO.
MQS	0.35~0.5	∅1.4~∅1.6	968220(2005119)	N/A	1897421-2	ALL OF 0.63TAB
	0.5~0.75	∅1.6~∅1.9	968221(2005120)	N/A		
MQS 1.5	0.5	∅1.6~∅1.7	①1452158	N/A	1897422-1	ALL OF 1.5TAB
	0.75~1.5	∅1.7~∅2.4	1241608	N/A		
MCP 2.8	0.5~1.0	∅1.4~∅2.1	968855	828904-1	828922-1	1,2,5,6,9,10
	1.5~2.5	∅2.2~∅3.0	968857	828905-1		
	2.0~2.5	∅2.6~∅3.1	①968857	828985-1		
3.0	∅3.0~∅3.7	968859	828986-1		3,4,7,8,11,12	

NO	FINISH/COLOR	MATERIAL	DESCRIPTION	QTY
⑧	BLACK	PA66-GF13	SEAL HOLDER HSG	1
⑦	RED-BROWN	SILICONE	FAMILY SEAL	1
⑥	BROWN	PA66-GF13	REC. HSG COD. B	1
⑤	BLACK	PA66-GF13	REC. HSG COD. A	1
④	BLACK	PA66-GF30	SLIDE	1
③	BLACK	PBT+ASA-GF20	CAVITY BLOCK	1
②	NATURAL	SILICONE	SEALING	1
①	BLACK	PBT+ASA-GF20	CARRIER HOUSING	1

THIS DRAWING IS A CONTROLLED DOCUMENT.

DWN YH MA
CHK KT LIM
APVD HG CHD

TE TE Connectivity

NAME: MQS/1.5mm/2.8mm TCU 32P PLUG ASS'Y

PRODUCT SPEC
APPLICATION SPEC
WEIGHT

SIZE: A3 CAGE CODE: 00779 DRAWING NO: 2005217 RESTRICTED TO

CUSTOMER DRAWING SCALE: 1:1 SHEET: 1 OF 1 REV: C1

DIMENSIONS: mm TOLERANCES UNLESS OTHERWISE SPECIFIED:
 ± DECIMALS: ±0.5
 ± ANGLES: ±3°
 3rd ANGLE PROJECTION
 MATERIAL FINISH