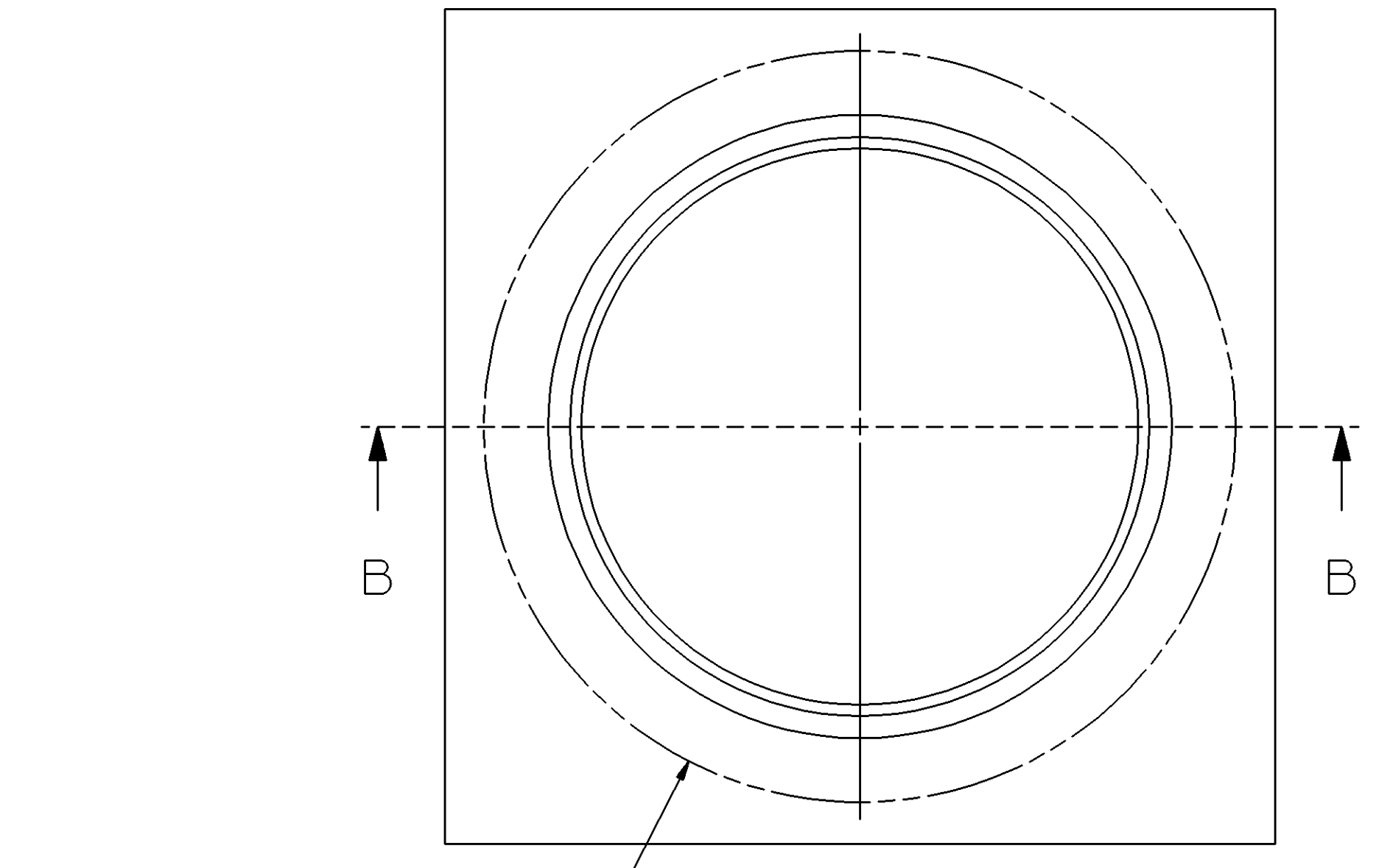
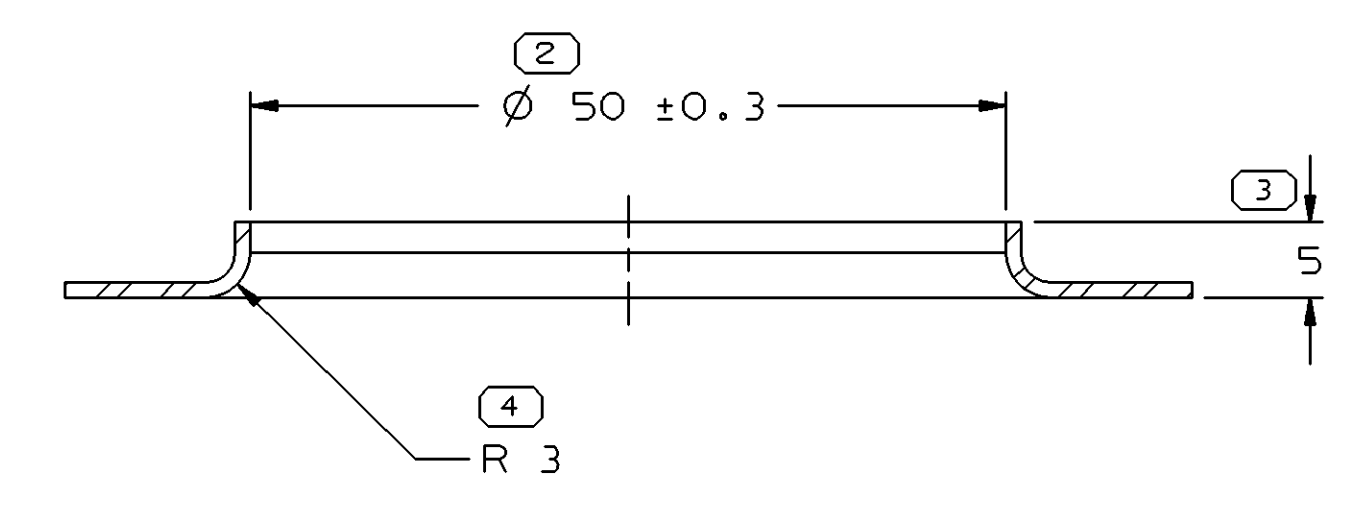


SYMBOL DEFINITION		TOTAL NO OF INSPECTIONS REQUIRED		MISSING SYMBOLS	
A	DIMENSION WITHOUT AN INSPECTION REPORT SYMBOL DOES NOT REQUIRE INSPECTION. IT MAY BE CONTROLLED ON THE INDIVIDUAL COMPONENT DRAWING.	56		NO MISSING SYMBOL NUMBER	
		LAST NO. USED	45		

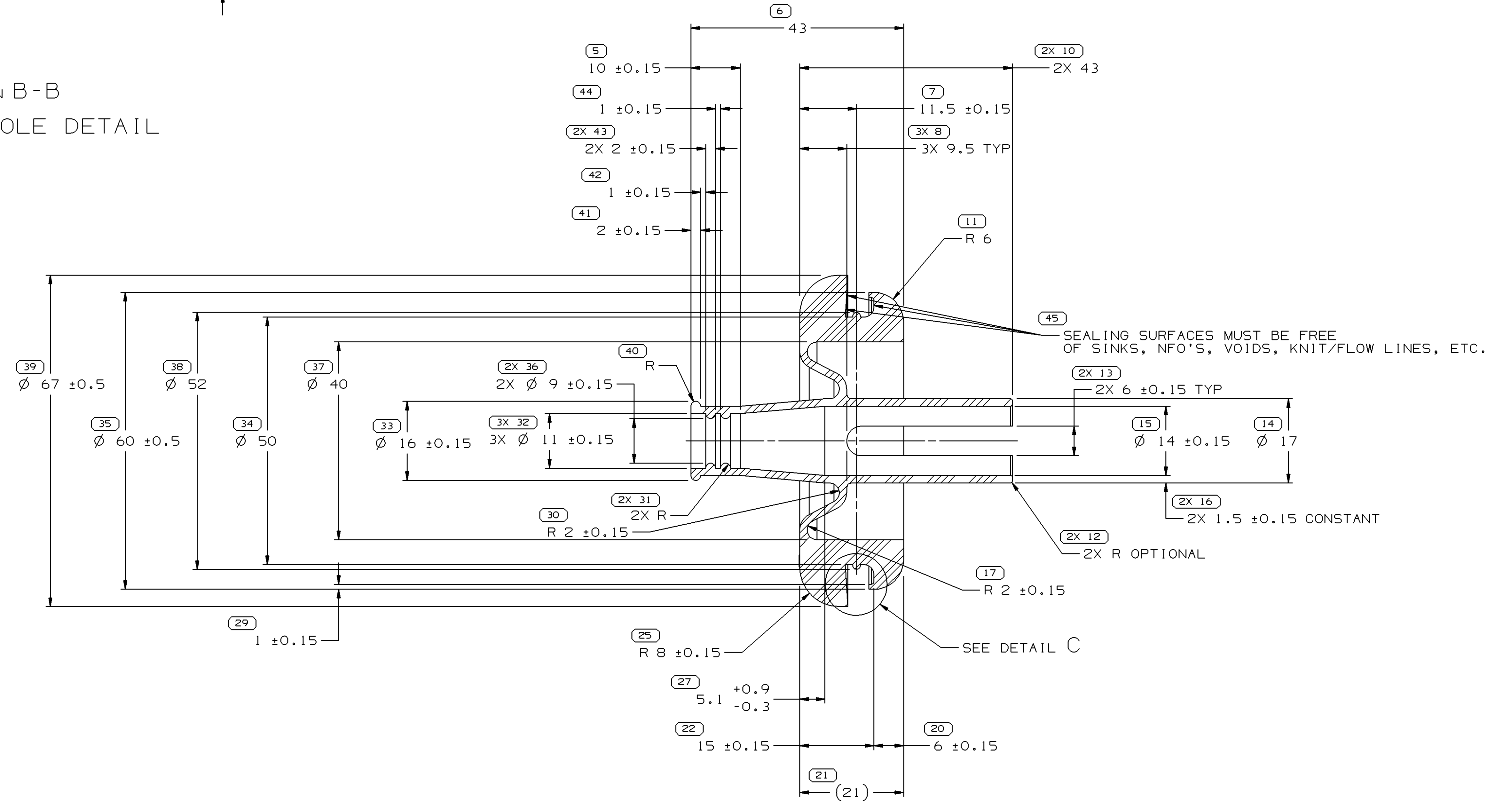
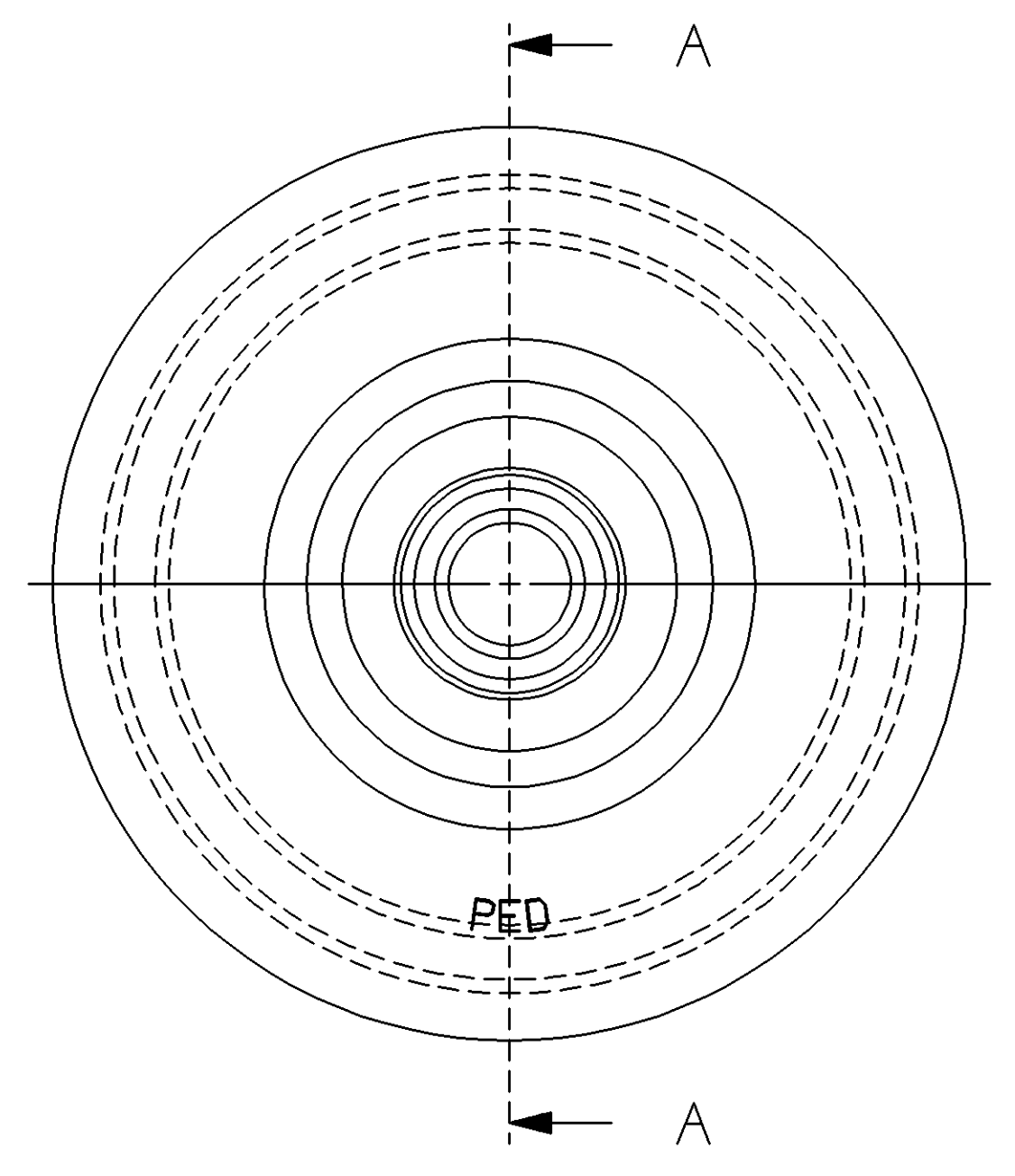
DWS STATUS				REVISION HISTORY				AUTH		DR		APVD	
DATE	STG	REV	W/P	CHK	ZONE								
14MR05	R	A4								265839	JBD	JAA	WLM



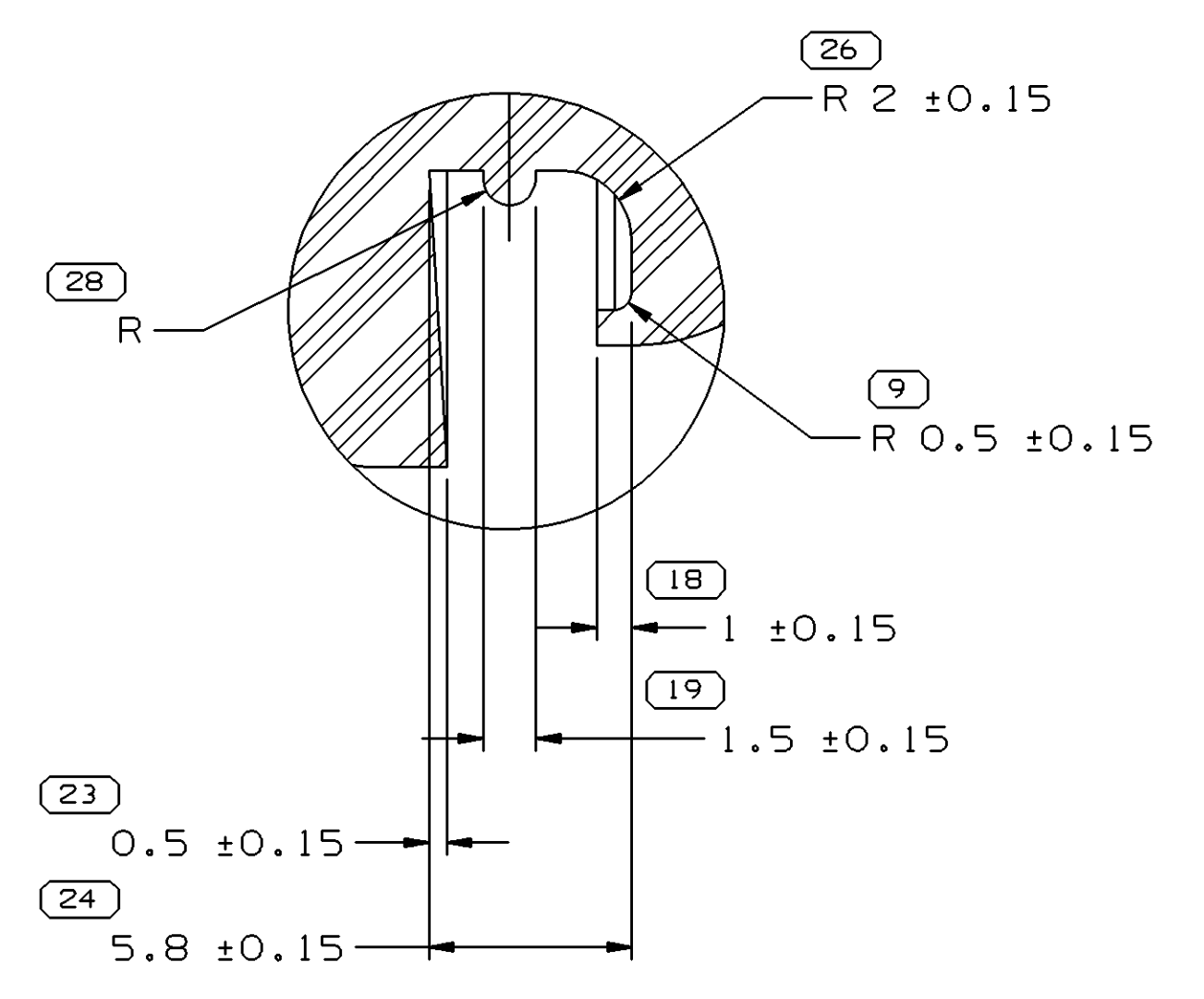
1
 $\varnothing 67.5 \pm 0.3$ SEALING AREA



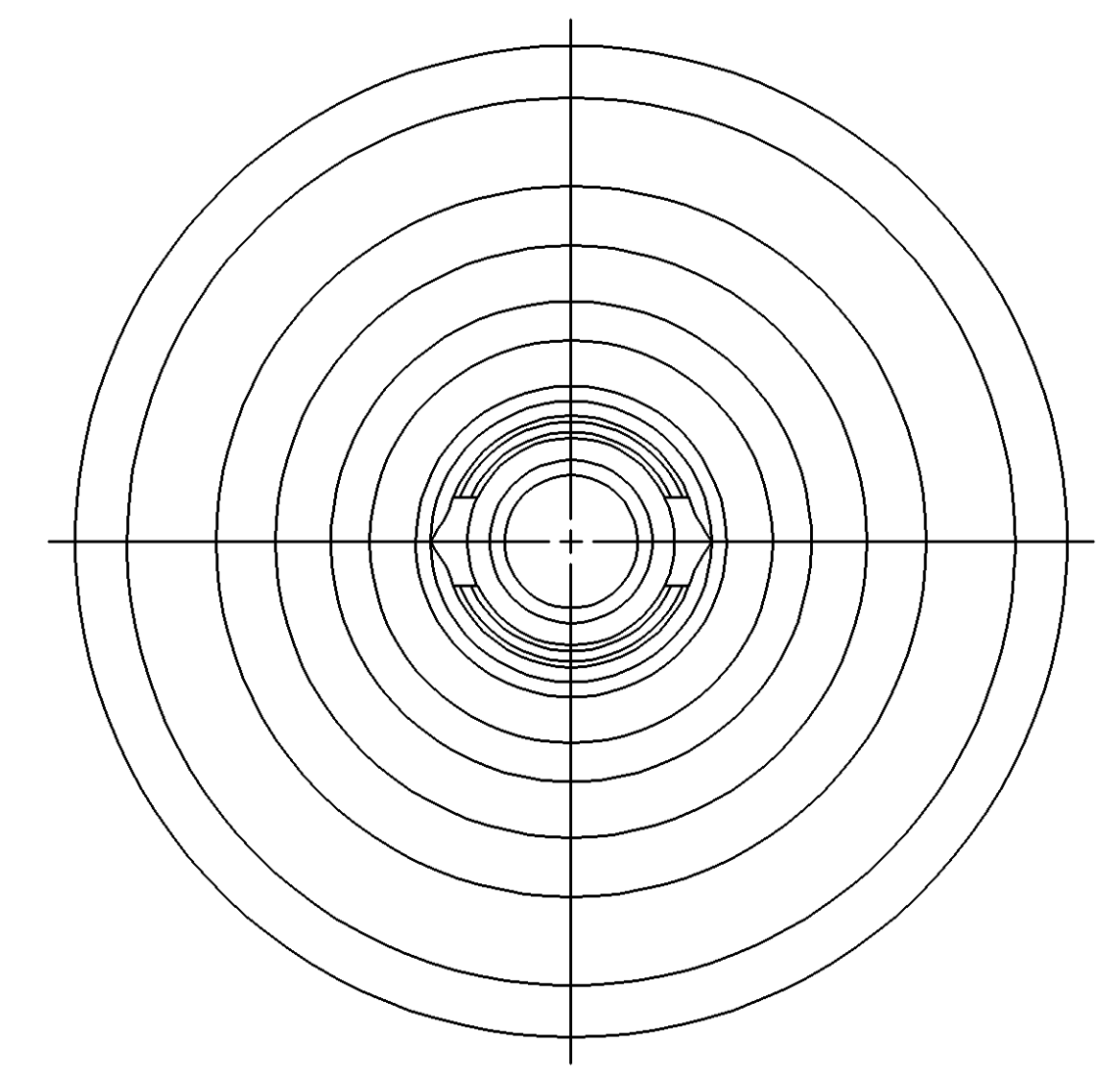
SECTION B-B
 MOUNTING HOLE DETAIL



SECTION A-A



DETAIL C
 SCALE 5:1



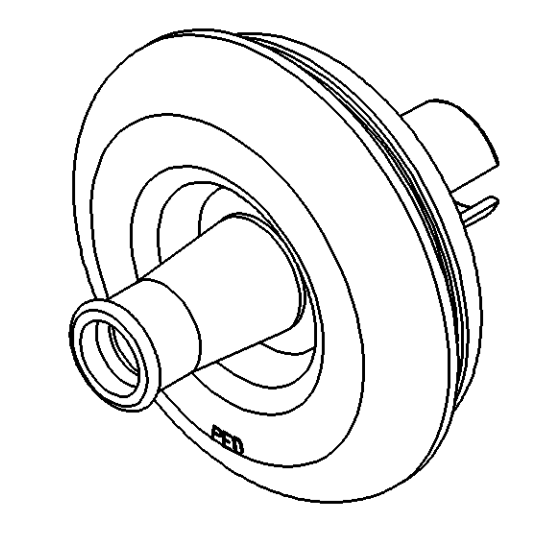
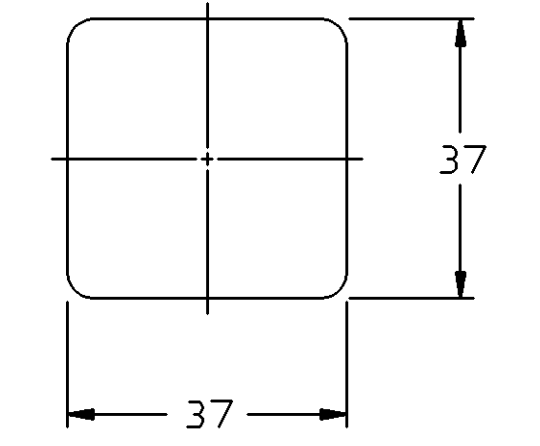
NOTES

- UNLESS OTHERWISE SPECIFIED AND/OR INDICATED:
 DIMENSIONS ARE TO FACE OF VIEW SHOWN AND AUTOMATICALLY ROUNDED BY COMPUTER FOR INSPECTION (SEE MATH MODEL FOR PRECISE DIMENSIONS). FOR ALL OTHER DIMENSIONS NOT SHOWN BUT REQUIRED FOR TOOL BUILD, SEE MATH MODEL FOR PRECISE TOOL PATH DATA. DRAFT IS 1° ON ALL OUTSIDE SURFACES.
- THIS GROMMET TO BE USED WITH HARNESS BUNDLE SMOOTH TAPE WRAPPED USING 5 MIL TAPE HAVING NO SLITS ON EDGES.
- PART IS SYMMETRICAL ABOUT CENTERLINES EXCEPT AS NOTED.
- THIS GROMMET FOR MIN. HARNESS BUNDLE DIA. OF 8.5
- THIS PART IS NOT CONTROLLED FOR AUTOMATIC FEEDING.
- (2.31X(0.1) DELPHI CORPORATE BRAND TO BE LOCATED ON ANY EXTERIOR SURFACE, PREFERABLY VISIBLE AT FINAL ASSEMBLY. OPTIONAL CONSTRUCTION FOR EXISTING TOOLING MAY BE "PED".

PROCESSING NOTES

- THE FOLLOWING NUMBER IS TO BE PUT ON THE PRODUCT DRAWING AS THE MAXIMUM ALLOWABLE STRETCH DIMENSION: 37MM AS MEASURED IN THE FOLLOWING FASHION:

MAXIMUM ALLOWABLE DIMENSION OF STRETCHED GROMMET NECK WHEN USING A 4 BILL SPREADER



(35) PROCESS SENSITIVE DIMENSION	CHART C
DIMENSIONAL RANGE (MM)	
FROM	> 0
TO	> 25
	> 40
	> 60
	> 80
TOLERANCE UNLESS OTHERWISE SPECIFIED	
	± 0.3
	± 0.5
	± 0.6
	± 0.75
ANGULAR TOLERANCE 12°	

DWS TYPE		PART DRAWING	
STYLE		DISTR CODE	D
VOLUME (CWP)	37.534		
UNLESS OTHERWISE SPECIFIED			
THIS DOCUMENT IS IN ACCORDANCE WITH ASME Y14.5M-1994 AS AMENDED BY THE 2003 SUPPLEMENT. DIMENSIONS AND TOLERANCES ADDITIONAL TO THE 2003 SUPPLEMENT ARE INDICATED BY FEATURES MAY BE OBTAINED SEPARATELY. REWORK OF DATUM REFERENCES.			
ALL DIMENSIONS ARE IN MILLIMETERS			
REFERENCE	12066591		
THIRD ANGLE PROJECTION	DO NOT SCALE		
USE MATH DATA	UNGRAPHS		

DELPHI			
DELPHI PACKARD ELECTRIC SYSTEMS WARREN, OH			
DR	DATE	APVD1	APVD2
		GREGG F.	02MR88
		T. MUDREY	14MR88
		ROBERT ADDUCI	16DE88
APVD4			
APVD5			
SUBSTANCES OF CONCERN AND RECYCLED CONTENT PER DELPHI 10949001			
MATERIAL M4433002			
DRAWING NAME			
GROM TAPE ON			
DRAWING NUMBER			
12092167			
SIZE	SCALE	FRAME NO	SHEET NO
A0	2:1	1 OF 1	1 OF 1
			REV
			A4