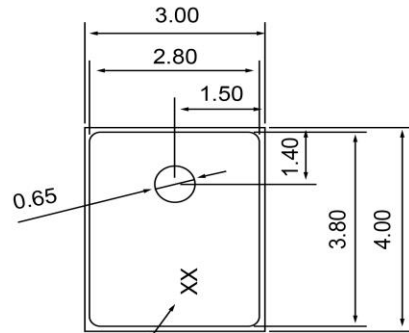


TOP VIEW

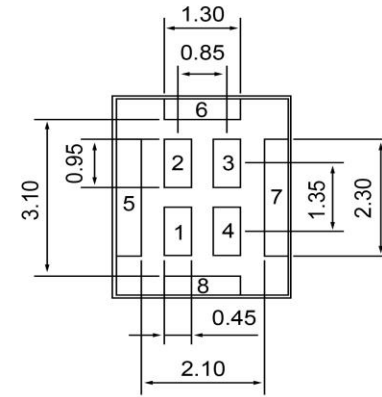


Identification Number

SIDE VIEW



BOTTOM VIEW



Specifications

Description	Value	Unit
Directivity	Omnidirectional	
Technology	MEMS	
Sensitivity	-26	(dB)
Frequency Range	100 ~ 7,000	(Hz)
Rated Voltage	2.1	(V)
Connection Method	Surface Mount Pads	
Voltage Range	1.5 ~ 3.6	(V)
Max Rated Current	700	(μ A)
Max Rated Current in SLEEP mode	100	(μ A)
Signal to Noise Ratio (A-weighted)	58	(dBA)
Operating Temperature	-40 ~ +100	$^{\circ}$ C
Storage Temperature	-40 ~ +125	$^{\circ}$ C

Notes

- 1) All dimensions are in mm unless otherwise noted
- 2) All parts meet RoHS



Revision History

Version	Description	Date	Approved		
1	Released from Engineering	2/18/2015	J.S.		
Drawn by	Date	Checked by	Date	Approved by	Date
G.W.	1/2/2015	P.D.	2/18/2015	J.S.	2/18/2015

Digital MEMS Microphone

MM042602-5