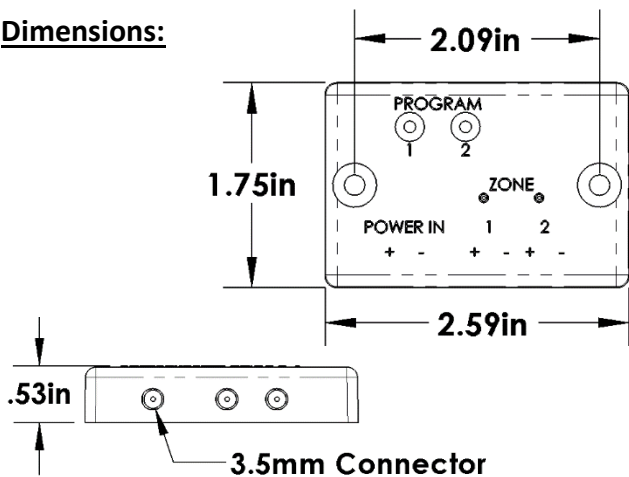


inspired LED *Independence Dimmer System 2.0*



SKU# 3883 (For use with SKU# 3882, 3884, 3885)

Dimensions:



3.5mm Plug-in Receiver Unit

Inspired LED's new **2-Zone Independence Dimmer System** combines the convenience of a plug-in power supply with the finished look of a hardwired system into one remarkable product. This unique product incorporates a radio frequency receiver module and a wireless energy-harvesting wall switch to control a variety of different lighting zones.

Product Features:

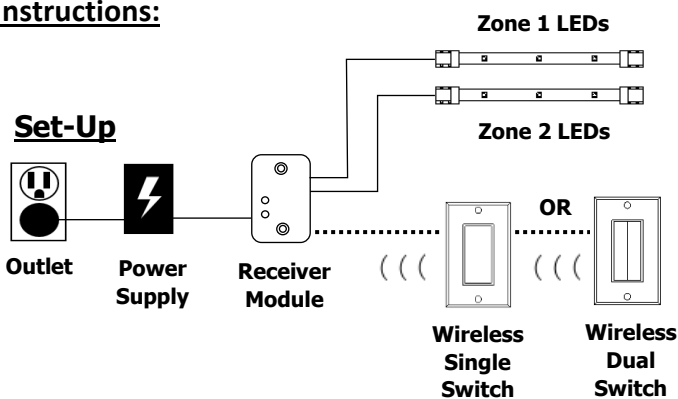
- Compatible with Independence Dimmer 2.0 switches and receivers (***sold separately***)
- (1) 3.5mm input, (2) 3.5 mm outputs for plug-in cables
- Syncs with multiple switches and other dimmable receivers for versatile system design
- Smart memory function retains most recent settings

Specifications:

- 3.5 x 1.3mm input/outputs for use with plug-in cables
- Compatible with 12V or 24V DC plug-in power supplies (***not compatible with hardwire transformers***)
- Max Load- 5 Amps per zone
- Remote range up to 30 meters (16ft during pairing)

Instructions:

Set-Up



Pairing Switches & Receivers-

1. Plug in power supply and connect directly to receiver input marked "POWER IN".
2. Connect cable from first set of LEDs to receiver input "ZONE 1".
3. Set receiver to learning mode by pressing the small "PROGRAM 1" button once.
4. Connected lights will dim and brighten to indicate active learning mode. Press the desired wireless switch up once to pair, LEDs will hold full brightness when successfully paired (must be within 16ft of receiver for programming).

Pairing Switches & Receivers (Cont'd)-

5. Repeat steps 3-5 to program additional switches to ZONE 1.
6. Next, connect cable from second set of LEDs to receiver input marked "ZONE 2". Set receiver to learning mode by pressing the "PROGRAM 2" button once.
7. Connected lights will dim and brighten to indicate active learning mode. Press desired switch up once to pair.

To Use Switch-

1. Click On: If LEDs are currently off, they will return to the most recent brightness level. If already on, LEDs will increase to maximum brightness.
2. Click Off: If LEDs are currently on, they will quickly fade off.
3. Hold Up: LEDs will increase to maximum brightness.
4. Hold Down: LEDs will fade to minimum brightness.

To Clear Programming-

1. Ensure power supply is plugged in and all LEDs are connected to the receiver.
2. Press and hold the "PROGRAM" button which corresponds to the zone you'd like to clear.
3. After 5 seconds, connected LEDs will turn off to indicate successful clearing of switches.

