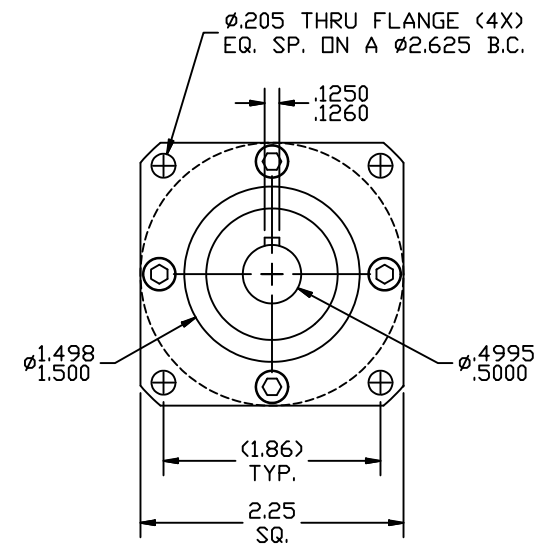
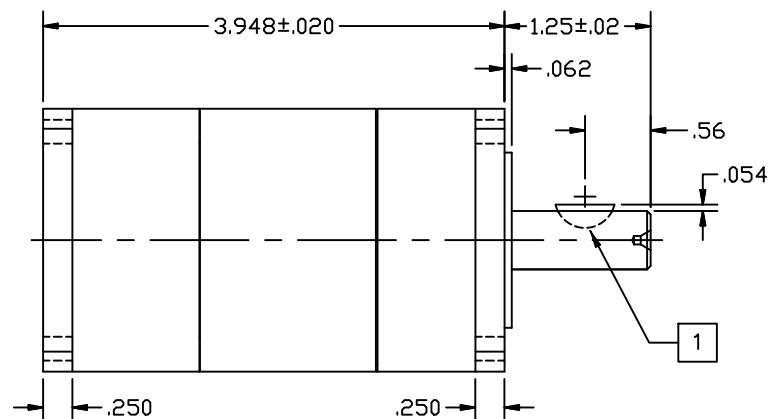
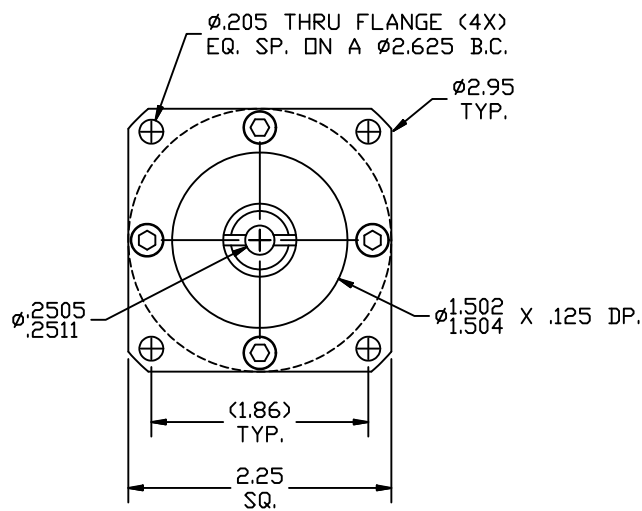


REVISIONS			
REV	DESCRIPTION	DATE	APPROVED
A	INITIAL RELEASE ECO 6709	2/22/13	J Kordik



NOTES: UNLESS OTHERWISE SPECIFIED

- 1 #404 WOODRUFF KEY.
2. 23PN100 RATIO- 100:1
3. FOR TECHNICAL DETAILS, CONTACT APPLIED MOTION PRODUCTS.

TOLERANCES	THIRD ANGLE PROJECTION		APPLIED MOTION PRODUCTS, INC.	
DECIMALS: [MM] INCH X.XXX = $\pm$ .005 X.XX = $\pm$ [0.13].010 X.X = $\pm$ [0.25].020 ANGLES: MACH. = $\pm$ .5° CHAM. = $\pm$ 5°			<b>OUTLINE, GEAR HEAD,            PN23, 2 STAGE</b>	
COMPUTER DATA BASE DRAWING	APPROVALS DRAWN <i>R.JONEZ</i> CHECKED	DATE <i>2/22/13</i>		
	APPROVED		SCALE: FULL	SHEET 1 OF 1