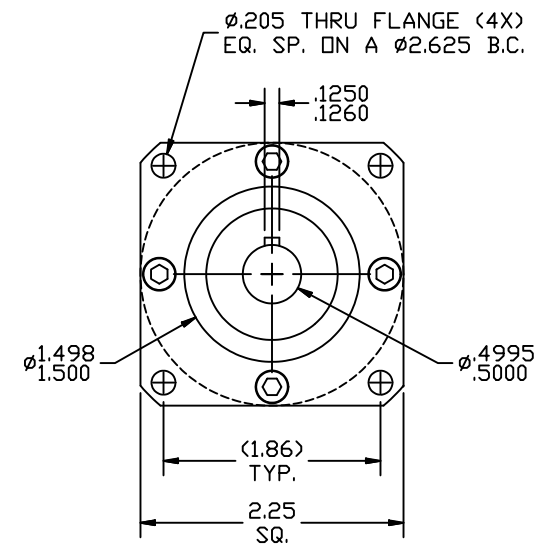
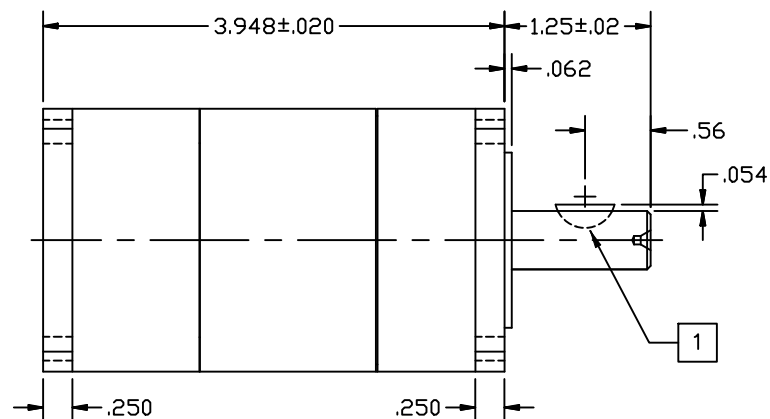
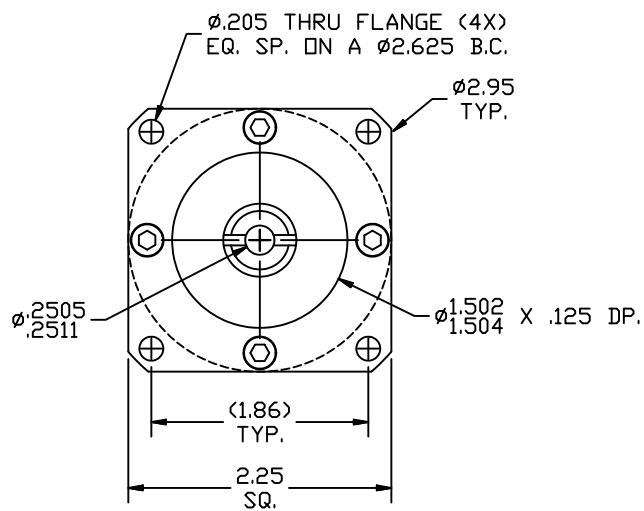


| REVISIONS | | | |
|-----------|--------------------------|---------|----------|
| REV | DESCRIPTION | DATE | APPROVED |
| A | INITIAL RELEASE ECO 6709 | 2/22/13 | J Kordik |
| | | | |
| | | | |



NOTES: UNLESS OTHERWISE SPECIFIED

- 1 #404 WOODRUFF KEY.
2. 23PN100 RATIO- 100:1
3. FOR TECHNICAL DETAILS, CONTACT APPLIED MOTION PRODUCTS.

| TOLERANCES | THIRD ANGLE PROJECTION | | APPLIED MOTION PRODUCTS, INC. | |
|--|-------------------------|---------|---|--------------|
| DECIMALS: [MM] INCH X.XXX = $\pm .005$ X.XX = $\pm [0.13].010$ X.X = $\pm [0.25].020$ ANGLES: MACH. = $\pm .5^\circ$ CHAM. = $\pm 5^\circ$ | | | OUTLINE, GEAR HEAD, PN23, 2 STAGE | |
| COMPUTER DATA BASE DRAWING | APPROVALS | DATE | | |
| | DRAWN <i>R.JONEZ</i> | 2/22/13 | DWG NO. | |
| | CHECKED | | 23PN100 | |
| | APPROVED | | SCALE: FULL | SHEET 1 OF 1 |