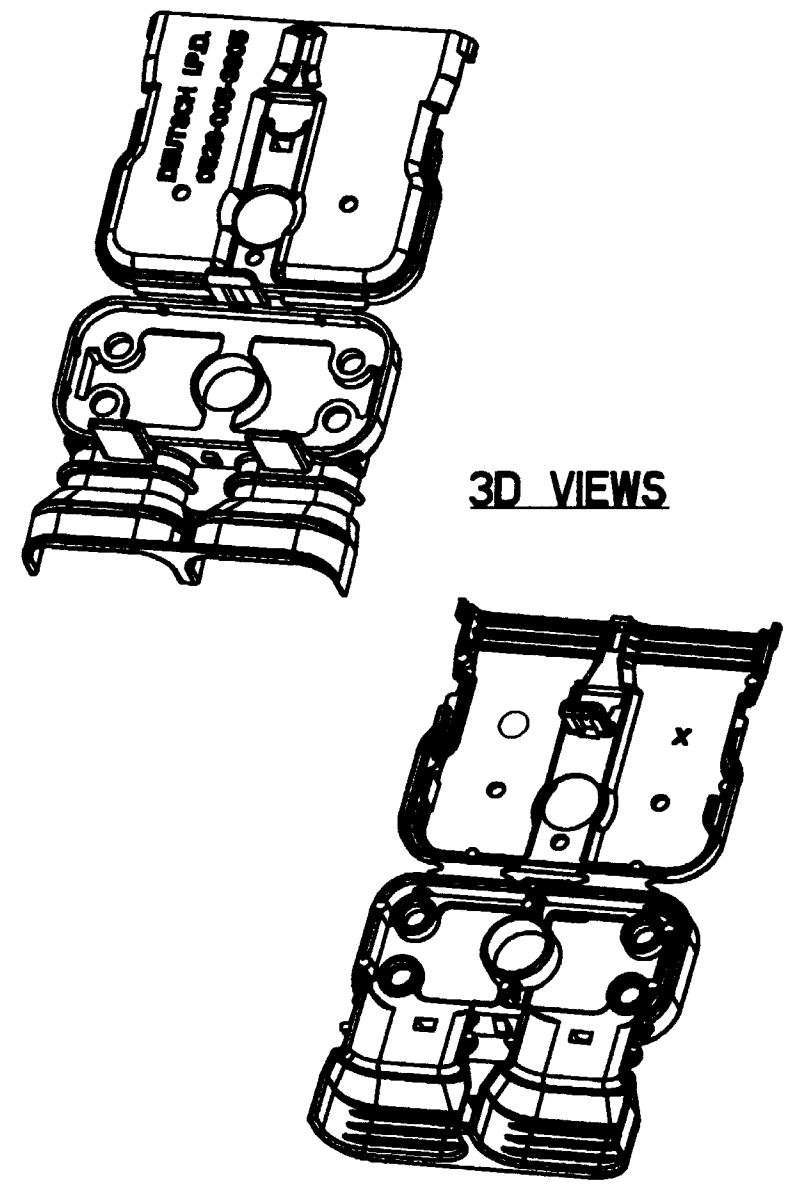
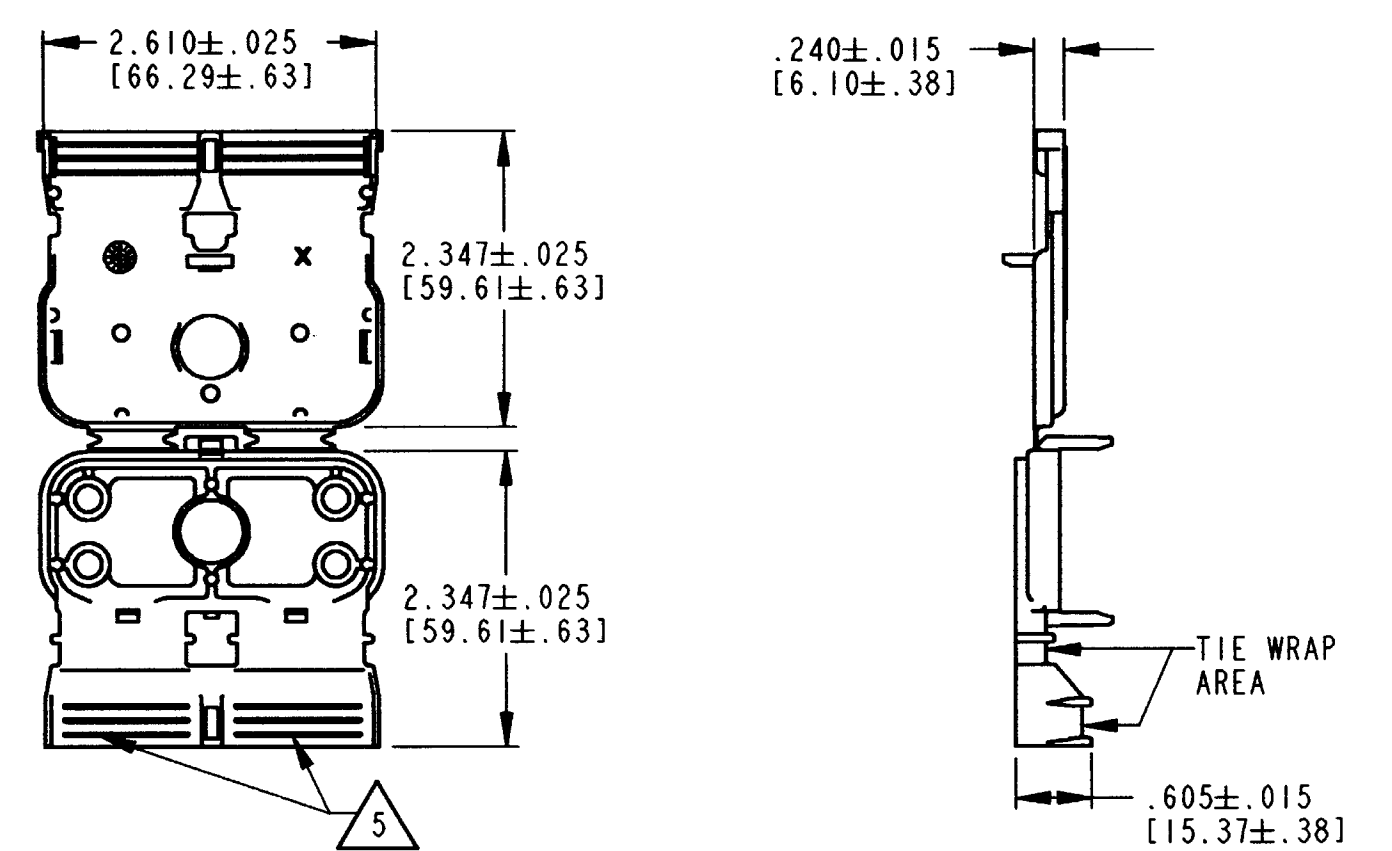


REV  
A 0528-005-3805

REVISIONS			
SYM	DESCRIPTION	DATE	APPROVED
NC	NEW RELEASE PER E.O. P18780	2/25/05	C.W.
A	REVISED PER E.O. P18864	4/8/05	<i>[Signature]</i>



5. THIS AREA TO BE USED WITH 10 X 25mm OVAL CONVOLUTE TUBING R-72506 RATED AT 125 °C OR R-72369 RATED AT 85 °C SUPPLIED BY M&Q PLASTICS (210)225-7622.

4. THIS DIMENSION REPRESENTS THE HEIGHT OF THE BACKSHELL WHEN MATED TO THE PLUG AND IN THE CLOSED POSITION.

3. THIS PART MATES WITH THE DRC26-38S01 THRU 10.  
2. DIMENSIONS WITHOUT TOLERANCE ARE FOR REFERENCE ONLY.

NOTES: 1. ALL DIMENSIONS ARE IN INCHES [mm].

SIGNATURE & DATE	
DR	M. GONZALEZ 12/13/04
CHK	<i>[Signature]</i>
PE	<i>[Signature]</i> 4/8/05
APPD	<i>[Signature]</i> 4/8/05
SCALE	1:1 WT

90° LOW PROFILE  
BACKSHELL FOR  
38 PIN PLUG  
DRC SERIES

ENVELOPE

CP	MATL. CODE
<b>The Deutch Company</b> DEUTSCH I.P.D. 3850 INDUSTRIAL AVE. HEMET, CALIF. 92545	
<b>B 0528-005-3805</b>	
DWG SIZE	CODE 11139 SHEET   OF