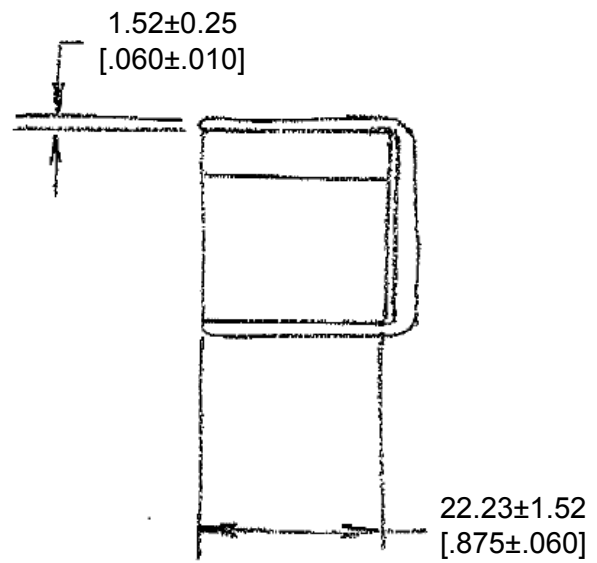
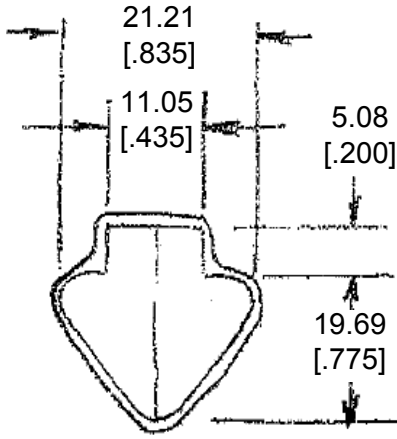


REVISIONS				
P	LTR	DESCRIPTION	DATE	APVD
	A	NEW RELEASE PER ECO-14-008759	06-10-14	DM DM



2014

RELEASED FOR PUBLICATION

THIS DRAWING IS UNPUBLISHED.

ALL RIGHTS RESERVED.

© COPYRIGHT 2014 BY TE CONNECTIVITY

- 3. PART NO. DT3P-DC
- 2. TEMPERATURE RATING: -29°C TO +100°C [-20°F TO +212°F]
- 1. THIS PART IS USED ON DT04-3P WITH ANY MODIFICATION

DIMENSIONS: <b>MM [INCH]</b>	DWN	D. MEYER 10JUN2014	MATERIAL	PVC	FINISH	GRAY
	CHK	R. MESSENGER 10JUN2014				
TOLERANCES UNLESS OTHERWISE SPECIFIED:	APVD	D. MEYER 10JUN2014				
0 PLC ±	PRODUCT SPEC	NAME				DUST CAP, RECEPTACLE, 3PIN
1 PLC ±	APPLICATION SPEC	DT SERIES				
2 PLC ± 0.63 [.025]		SIZE	CAGE CODE	DRAWING NO	RESTRICTED TO	
3 PLC ±	WEIGHT	A 4	4AFU8	C = DT3P-DC	-	
4 PLC ±		Customer Drawing				
ANGLES ± 5°	SCALE		NONE	SHEET	1 OF 1	REV
						A