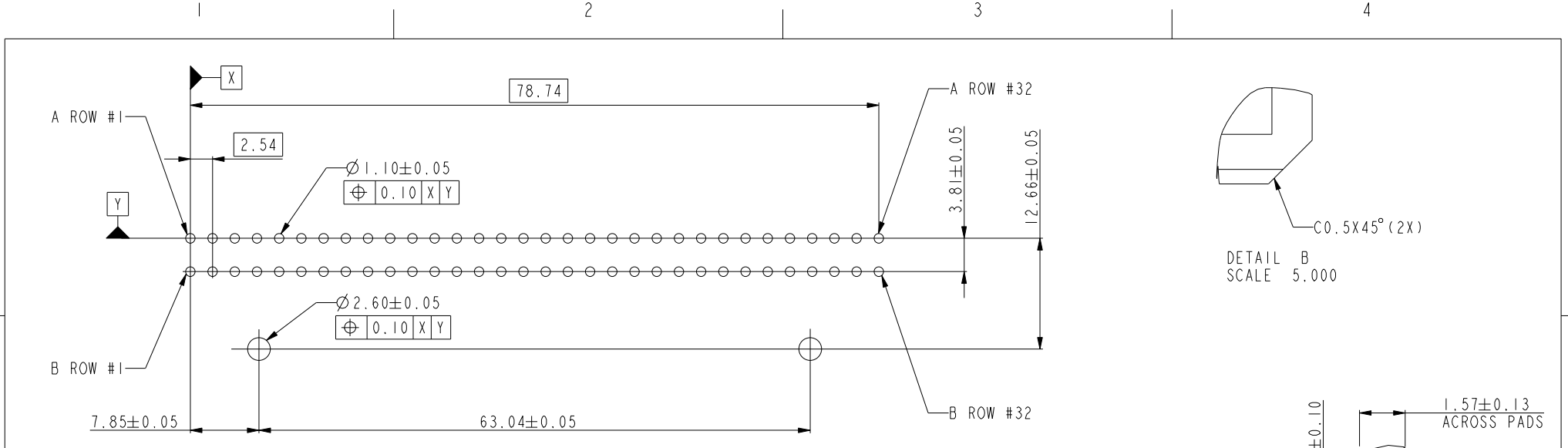


Material		Spec ref *			
Mat code		✓ tolerance		projection	
Heatreat				MM	
Plating/Finish				size A4	
Dr	Junon Huang 01/26/10	Product family		Scale 1.000	
Eng	Junon Huang 01/26/10	Model Name		ECN	
Chr	PM Zheng 01/27/10	Model Revision		REL Level	
Appr	JOSEPH HSIA 01/28/10				
FCI		title		Rev. A	
		POWER EDGE CARD CONNECTOR ASSY WITH STAND-OFF		10053363-700	
Pro/E file		catalog		sheet 2 of 3	

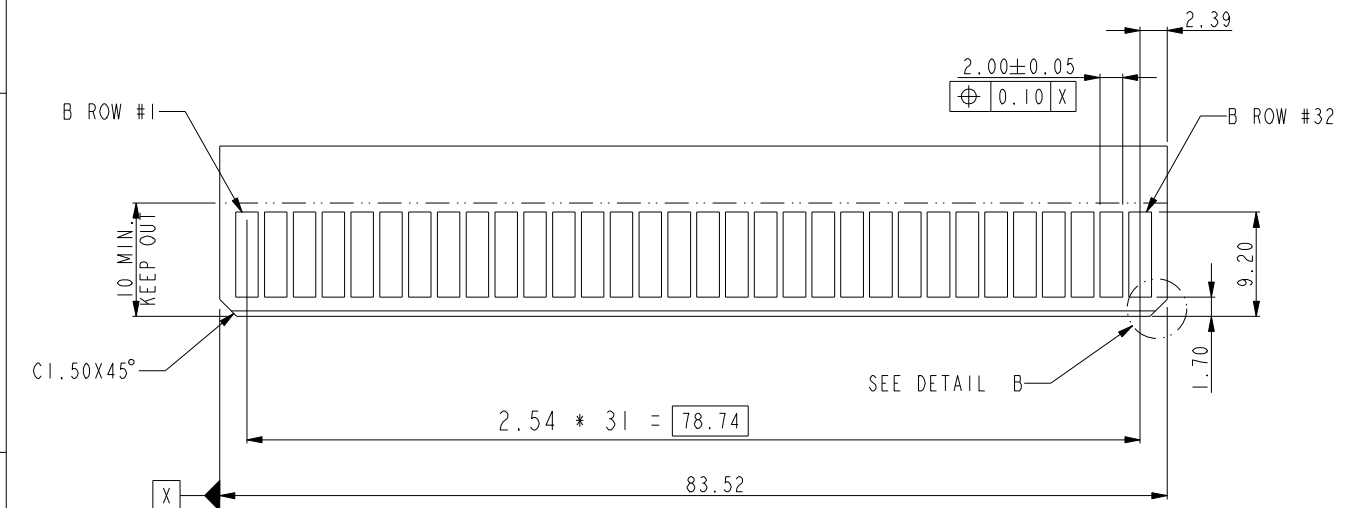
FCI CONFIDENTIAL



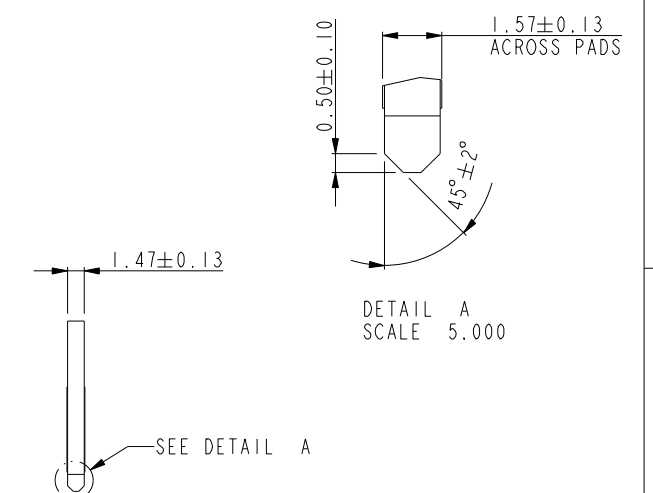
This document is the property of and embodies CONFIDENTIAL and PROPRIETARY information of FCI. No part of the information shown on this document may be used in any way or disclosed to others without the written consent of FCI. Copyright FCI.



RECOMMENDED PCB LAYOUT



RECOMMENDED DAUGHTER CARD LAYOUT (TOP SIDE)



tolerance unless otherwise specified	
linear	.X ± .30
	.XX ± .15
	.XXX ± .08
angles	X° ± 2°

Material			Spec ref *	
Mat code			✓	tolerance
Heatreat			⊕	projection
Plating/Finish			←	MM
Dr	Junon Huang	01/26/10	size	A4
Eng	Junon Huang	01/26/10	Product family	Scale 1.000
Chr	PM Zheng	01/27/10	Model Name	ECN
Appr	JOSEPH HSIA	01/28/10	Model Revision	REL Level
FCI	title			Rev. A
	POWER EDGE CARD CONNECTOR ASSY WITH STAND-OFF			
Pro/E file	catalog	PDM: Rev:A	dwg no	10053363-700
STATUS: Released			CUSTOMER	sheet 3 of 3