

tolerance unless otherwise specified	
linear	.X ± .30
	.XX ± .15
	.XXX ± .08
angles	X° ± 2°

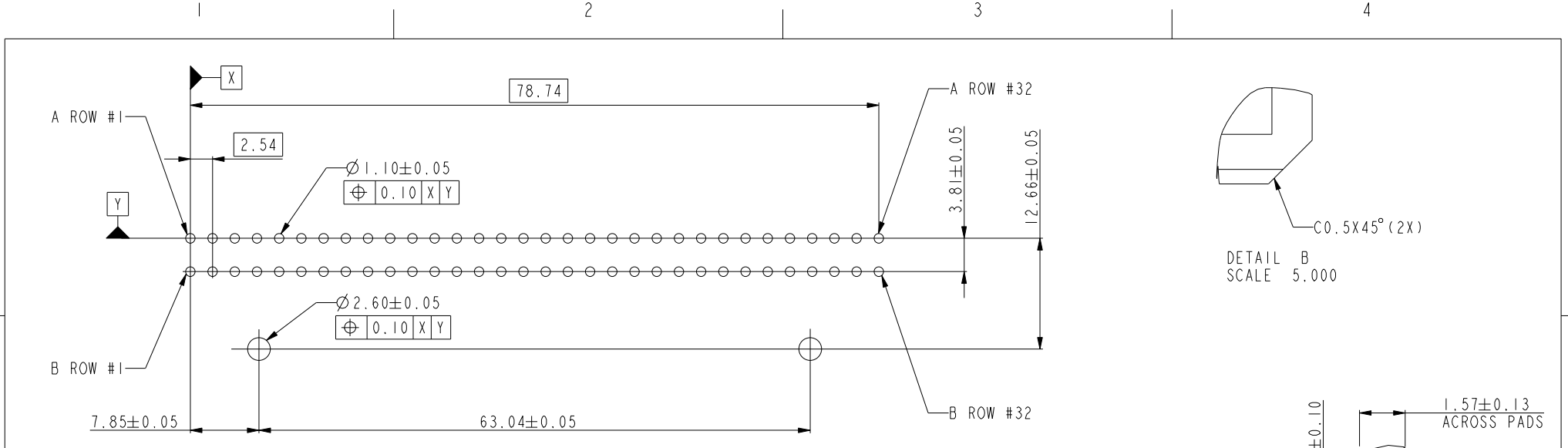
Material	Spec ref *	tolerance	projection	MM
Mat code	✓		⊕	
Heatreat				
Plating/Finish				
Dr Junon Huang 01/26/10			size A4	Scale 1.000
Eng Junon Huang 01/26/10				
Chr PM Zheng 01/27/10				
Appr JOSEPH HSIA 01/28/10				
	Product family			
	Model Name			ECN
	Model Revision			REL Level

FCI	title	POWER EDGE CARD CONNECTOR ASSY WITH STAND-OFF		Rev. A
	dwg no	10053363-700		
Pro/E file	catalog	PDM: Rev-A	STATUS: Released	Printed: Dec 03, 2010

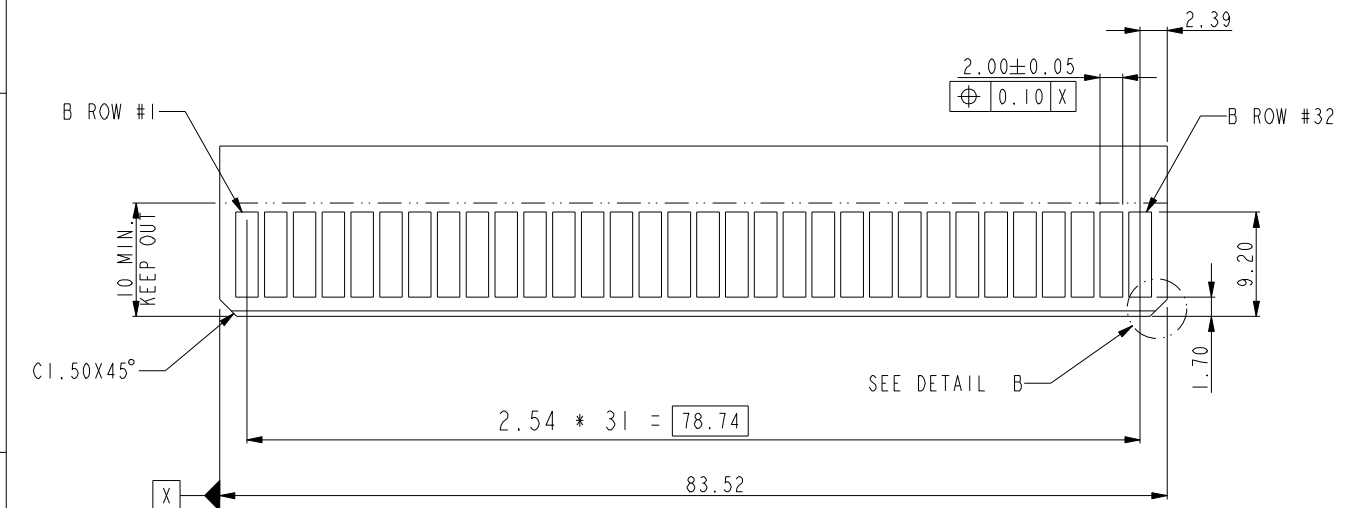
FCI CONFIDENTIAL



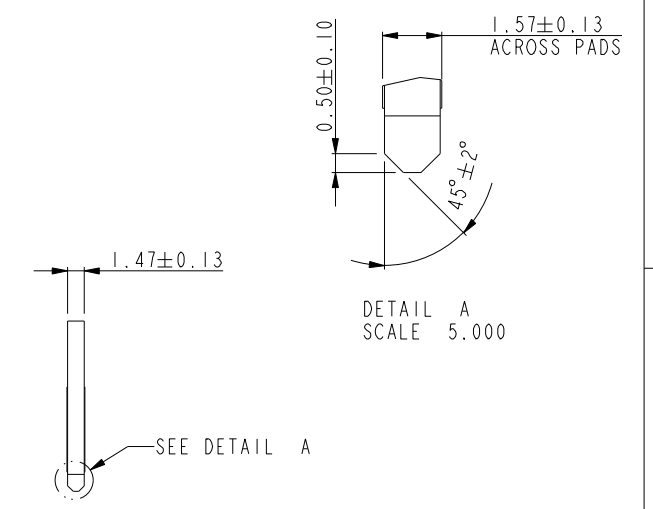
This document is the property of and embodies CONFIDENTIAL and PROPRIETARY information of FCI. No part of the information shown on this document may be used in any way or disclosed to others without the written consent of FCI. Copyright FCI.



RECOMMENDED PCB LAYOUT



RECOMMENDED DAUGHTER CARD LAYOUT (TOP SIDE)



tolerance unless otherwise specified	
linear	.X ± .30
	.XX ± .15
	.XXX ± .08
angles	X° ± 2°

Material		Spec ref *	
Mat code		✓	tolerance
Heatreat			projection
Plating/Finish			MM
Dr	Junon Huang 01/26/10	size	A4
Eng	Junon Huang 01/26/10	Product family	Scale 1.000
Chr	PM Zheng 01/27/10	Model Name	ECN
Appr	JOSEPH HSIA 01/28/10	Model Revision	REL Level
FCI	title		Rev.
	POWER EDGE CARD CONNECTOR ASSY WITH STAND-OFF		A
Pro/E file	catalog	dwg no	10053363-700
PDM: Rev:A		STATUS: Released	Printed: Dec 03, 2010