

FCI CONFIDENTIAL

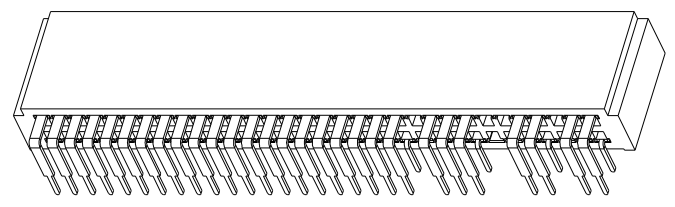
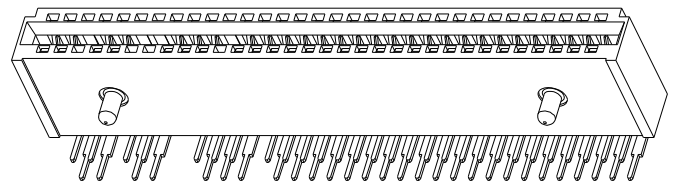


This document is the property of and embodies CONFIDENTIAL and PROPRIETARY information of FCI. No part of the information shown on this document may be used in any way or disclosed to others without the written consent of FCI. Copyright FCI.

PRODUCT NO.	POSITION
10053363-700LF	2X32

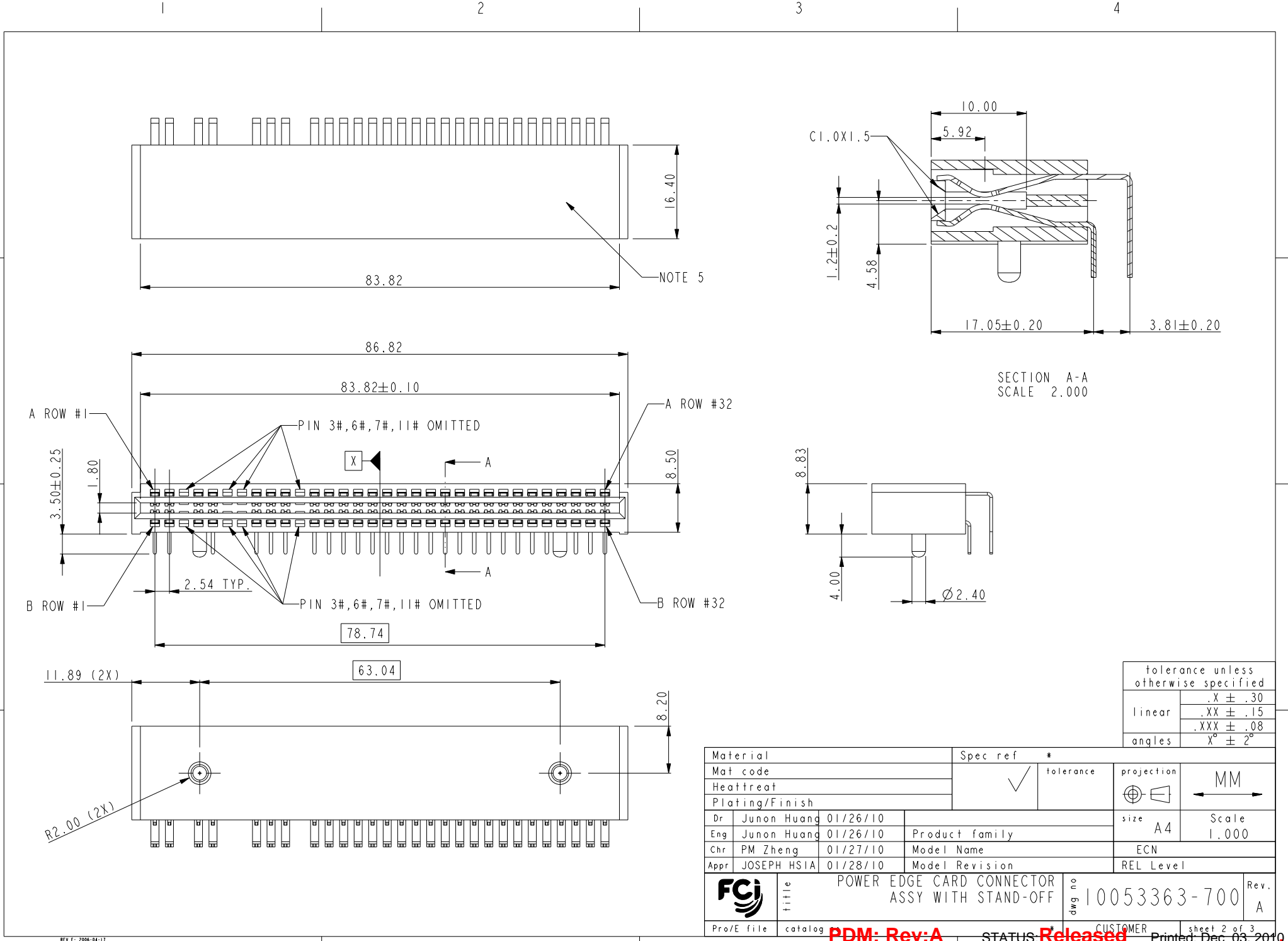
NOTES:

- MATERIALS:
HOUSING: HIGH TEMPERATURE THERMOPLASTIC, UL 94V-0 RATED, BLACK.
TERMINAL: HIGH CONDUCTIVITY COPPER ALLOY.
CONTACT AREA: 30u" GOLD OVER 50u" NICKEL UNDERPLATED.
SOLDER TAIL: 100u" TIN OVER 50u" NICKEL UNDERPLATED.
- PRODUCT PERFORMANCE SPEC. PER GS-12-259.
- PACKAGE SPECIFICATION PER GS-14-937.
- PART NUMBER 10053363-700LF MEETS EUROPEAN UNION DIRECTIVE AND OTHER COUNTRY REGULATIONS AS DESCRIBED IN GS-22-008. THE HOUSING WILL WITHSTAND EXPOSURE TO 260°C±5°C PEAK TEMPERATURE FOR 5 SECONDS IN A REFLOW SOLDER APPLICATION WITH A CIRCUIT BOARD.
- MANUFACTURER'S NAME, P/N AND DATE CODE TO APPEAR ON THIS SURFACE AS PER GS-24-007.



tolerance unless otherwise specified	
linear	.X ± .30 .XX ± .15 .XXX ± .08
angles	X° ± 2°

Mark with REV. in area indicated by X.....	Material		Spec ref		tolerance	projection	MM
	Mat code		Heatreat				
Plating/Finish		Dr Junon Huang 01/26/10		size A4		Scale 1.000	
rev	ecn no	dr	date	Eng Junon Huang 01/26/10		Product family	
A	DG10-0054	Junon	02/05/10	Chr PM Zheng 01/27/10		Model Name	
-	-	-	-	Appr JOSEPH HSIA 01/28/10		Model Revision	
FCI		title		POWER EDGE CARD CONNECTOR ASSY WITH STAND-OFF		dwg no 10053363-700	
Pro/E file		catalog		PDM: Rev:A		Rev. A	



tolerance unless otherwise specified	
linear	.X ± .30
	.XX ± .15
	.XXX ± .08
angles	X° ± 2°

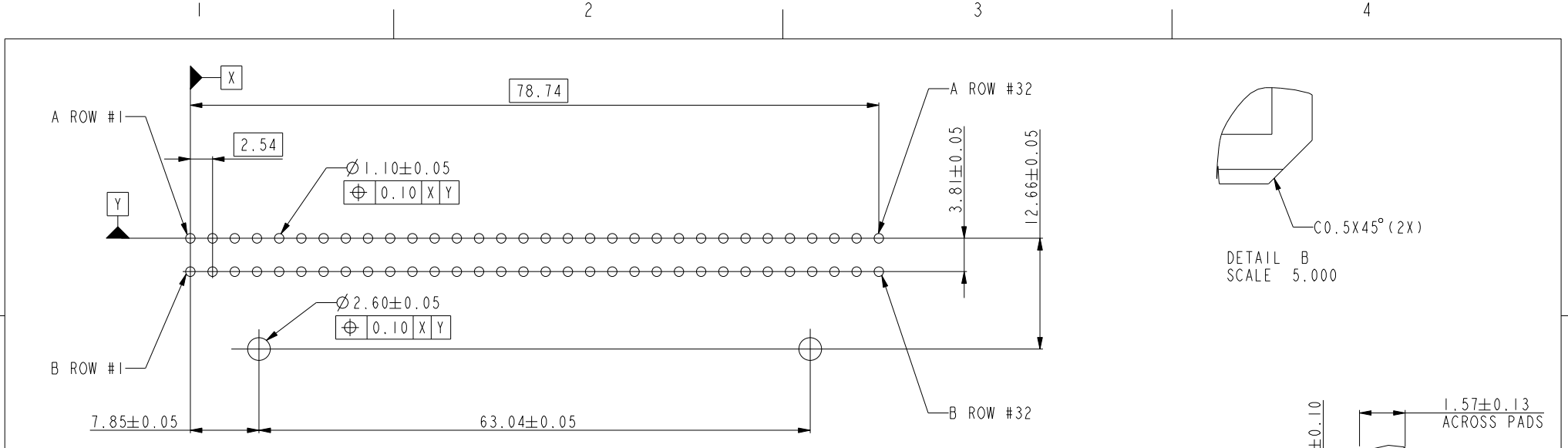
Material		Spec ref *	
Mat code		✓	tolerance
Heatreat		⊕	projection
Plating/Finish		←	MM
Dr Junon Huang 01/26/10		size A4	Scale 1.000
Eng Junon Huang 01/26/10	Product family	ECN	
Chr PM Zheng 01/27/10	Model Name	REL Level	
Appr JOSEPH HSIA 01/28/10	Model Revision		

FCI	title		dwg no	Rev. A
	POWER EDGE CARD CONNECTOR ASSY WITH STAND-OFF			
Pro/E file	catalog	PDM: Rev-A	CUSTOMER	sheet 2 of 3

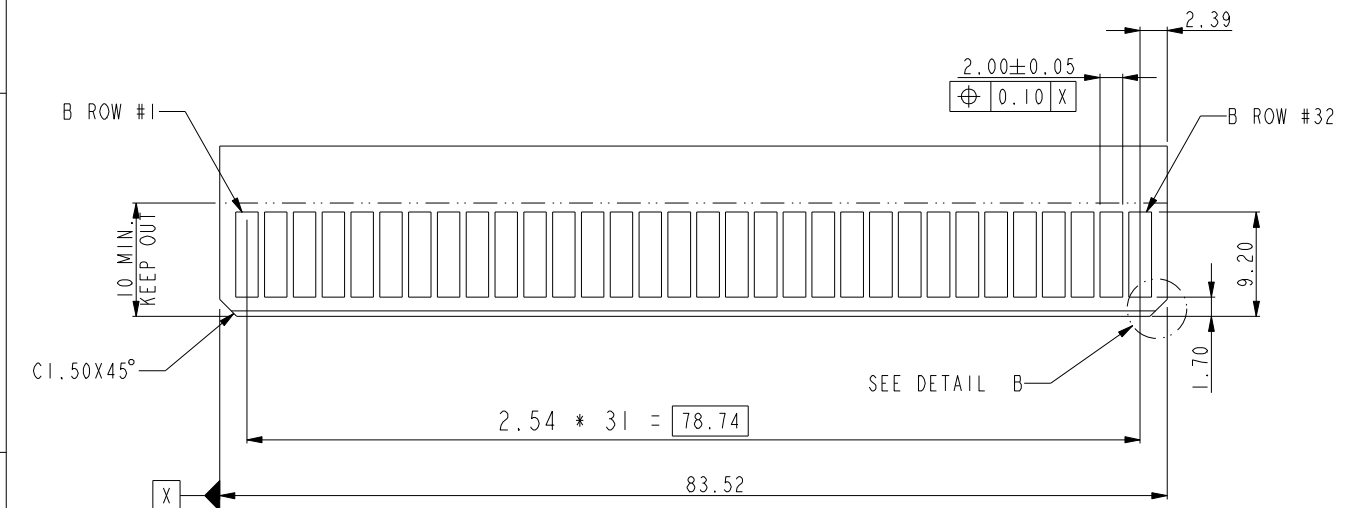
FCI CONFIDENTIAL



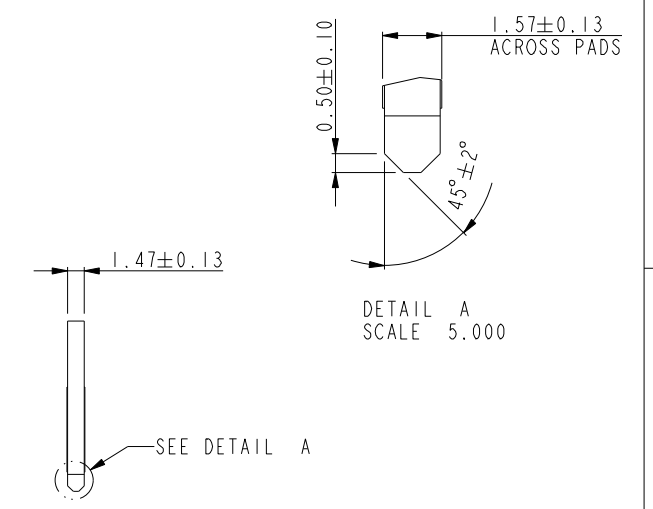
this document is the property of and embodies CONFIDENTIAL and PROPRIETARY information of FCI. No part of the information shown on this document may be used in any way or disclosed to others without the written consent of FCI. Copyright FCI.



RECOMMENDED PCB LAYOUT



RECOMMENDED DAUGHTER CARD LAYOUT (TOP SIDE)



tolerance unless otherwise specified	
linear	.X ± .30
	.XX ± .15
	.XXX ± .08
angles	X° ± 2°

Material		Spec ref *	
Mat code		✓	tolerance
Heatreat			projection
Plating/Finish		MM	
Dr	Junon Huang 01/26/10	size	A4
Eng	Junon Huang 01/26/10	Product family	Scale 1.000
Chr	PM Zheng 01/27/10	Model Name	ECN
Appr	JOSEPH HSIA 01/28/10	Model Revision	REL Level
FCI	title		POWER EDGE CARD CONNECTOR ASSY WITH STAND-OFF
	Pro/E file	catalog	PDM: Rev:A
		dwg no	10053363-700
		Rev.	A
		CUSTOMER	sheet 3 of 3