

FCI CONFIDENTIAL

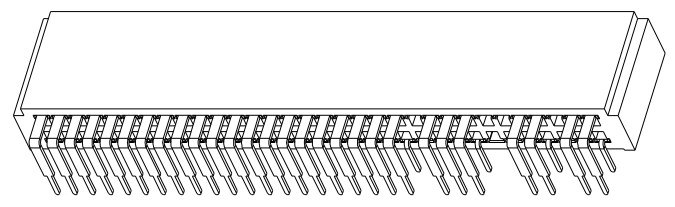
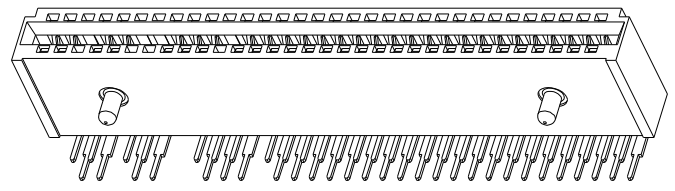


This document is the property of and embodies CONFIDENTIAL and PROPRIETARY information of FCI. No part of the information shown on this document may be used in any way or disclosed to others without the written consent of FCI. Copyright FCI.

PRODUCT NO.	POSITION
10053363-700LF	2X32

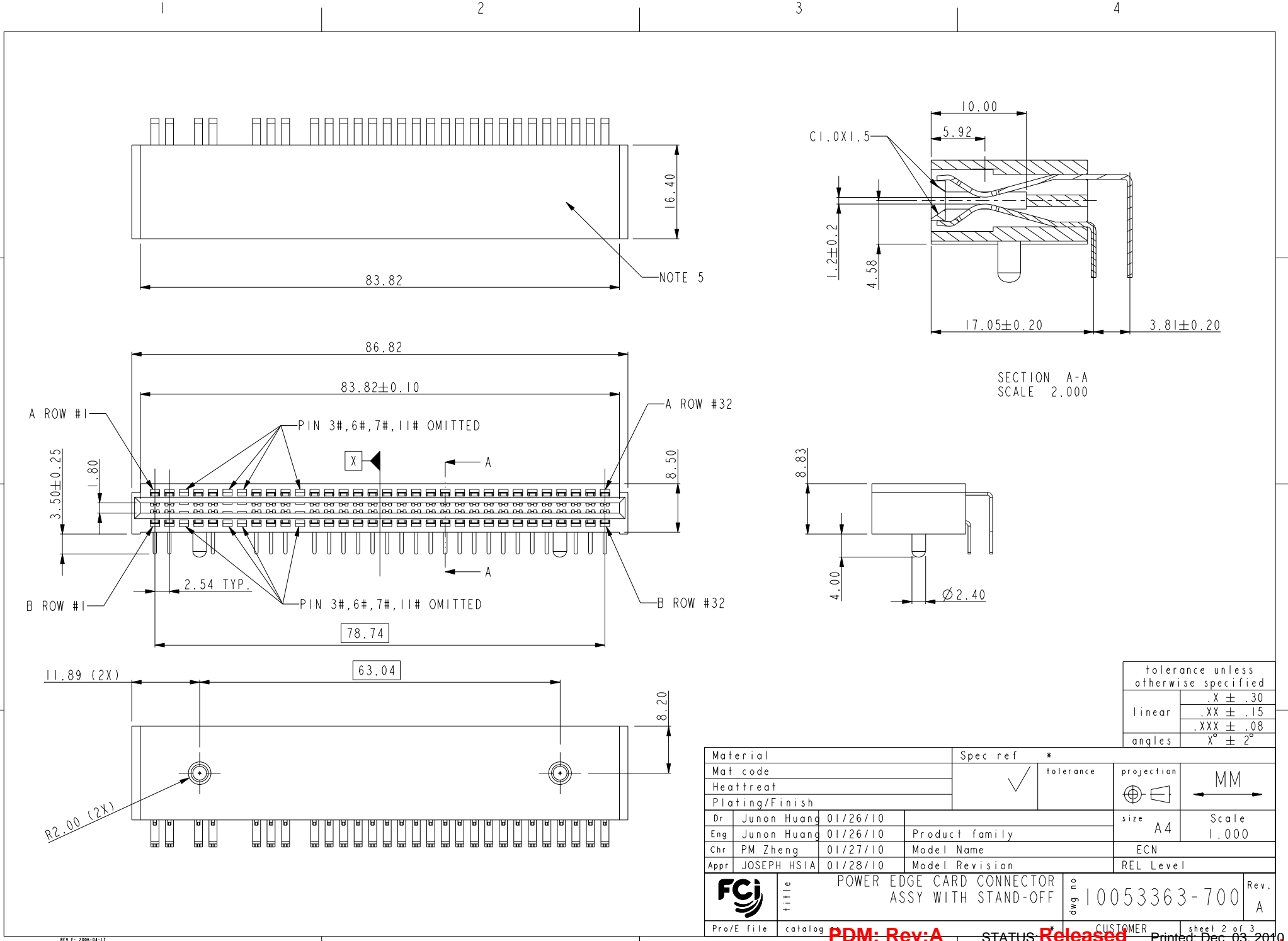
NOTES:

- MATERIALS:
HOUSING: HIGH TEMPERATURE THERMOPLASTIC, UL 94V-0 RATED, BLACK.
TERMINAL: HIGH CONDUCTIVITY COPPER ALLOY.
CONTACT AREA: 30u" GOLD OVER 50u" NICKEL UNDERPLATED.
SOLDER TAIL: 100u" TIN OVER 50u" NICKEL UNDERPLATED.
- PRODUCT PERFORMANCE SPEC. PER GS-12-259.
- PACKAGE SPECIFICATION PER GS-14-937.
- PART NUMBER 10053363-700LF MEETS EUROPEAN UNION DIRECTIVE AND OTHER COUNTRY REGULATIONS AS DESCRIBED IN GS-22-008. THE HOUSING WILL WITHSTAND EXPOSURE TO 260°C±5°C PEAK TEMPERATURE FOR 5 SECONDS IN A REFLOW SOLDER APPLICATION WITH A CIRCUIT BOARD.
- MANUFACTURER'S NAME, P/N AND DATE CODE TO APPEAR ON THIS SURFACE AS PER GS-24-007.



tolerance unless otherwise specified	
linear	.X ± .30 .XX ± .15 .XXX ± .08
angles	X° ± 2°

Mark with REV. in area indicated by X.....	Material		Spec ref	
	Mat code	Heatreat	tolerance	projection
	Plating/Finish		MM	
Dr	Junon Huang	01/26/10	size	A4
Eng	Junon Huang	01/26/10	Product family	Scale 1.000
Chr	PM Zheng	01/27/10	Model Name	ECN
Appr	JOSEPH HSIA	01/28/10	Model Revision	REL Level
FCI		title		POWER EDGE CARD CONNECTOR ASSY WITH STAND-OFF
Pro/E file	catalog	dwg no		10053363-700
				Rev. A



tolerance unless otherwise specified	
linear	.X ± .30
	.XX ± .15
	.XXX ± .08
angles	X° ± 2°

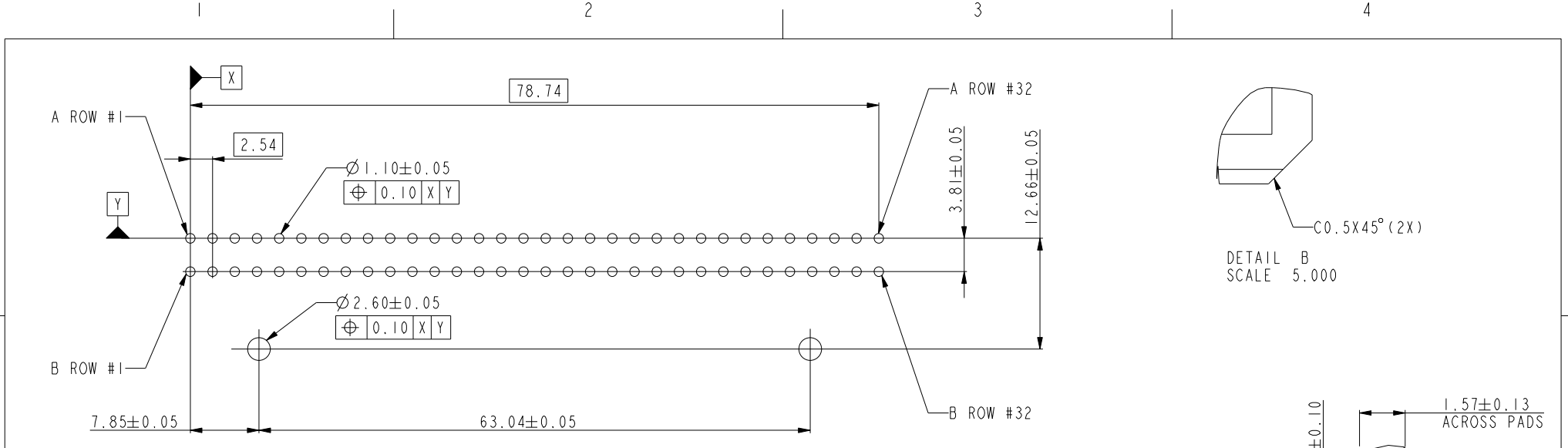
Material		Spec ref *			
Mat code		✓ tolerance		projection	
Heatreat				⊕	
Plating/Finish				MM	
Dr	Junon Huang 01/26/10			size	Scale
Eng	Junon Huang 01/26/10	Product family		A4	1.000
Chr	PM Zheng 01/27/10	Model Name		ECN	
Appr	JOSEPH HSIA 01/28/10	Model Revision		REL Level	

	title		dwg no 10053363-700	Rev. A
	Pro/E file	catalog		

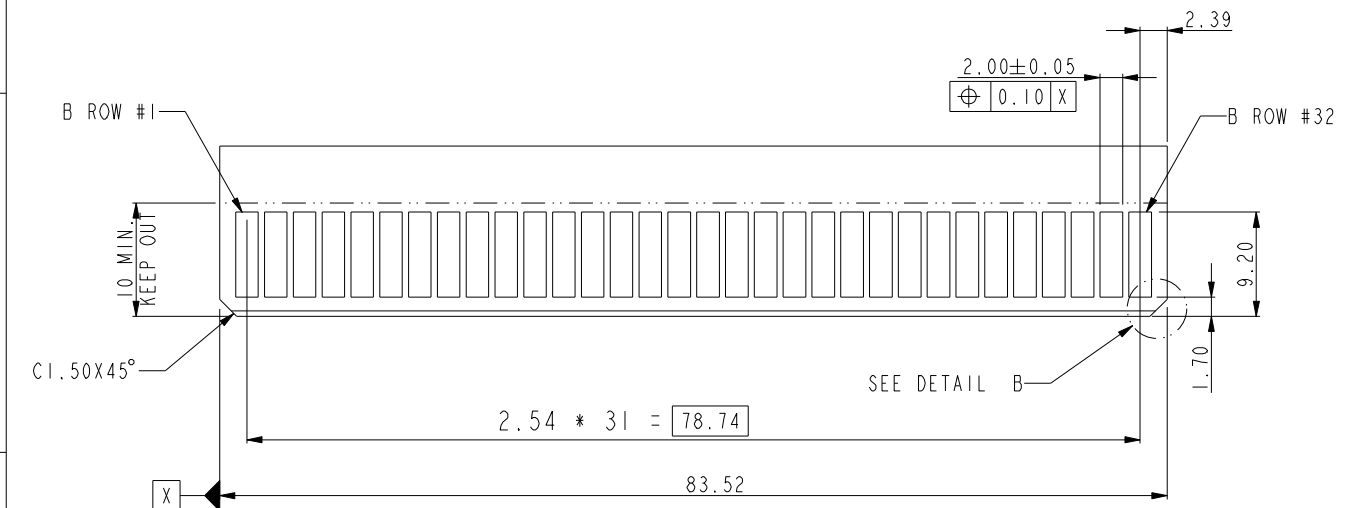
FCI CONFIDENTIAL



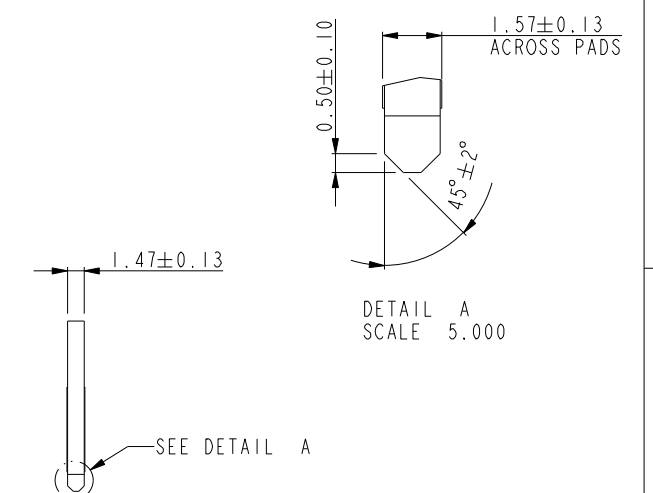
this document is the property of and embodies CONFIDENTIAL and PROPRIETARY information of FCI. No part of the information shown on this document may be used in any way or disclosed to others without the written consent of FCI. Copyright FCI.



RECOMMENDED PCB LAYOUT



RECOMMENDED DAUGHTER CARD LAYOUT (TOP SIDE)



tolerance unless otherwise specified	
linear	.X ± .30
	.XX ± .15
	.XXX ± .08
angles	X° ± 2°

Material			Spec ref *	
Mat code			✓	tolerance
Heatreat			⊕	projection
Plating/Finish			←	MM
Dr	Junon Huang	01/26/10	size	A4
Eng	Junon Huang	01/26/10	Product family	Scale 1.000
Chr	PM Zheng	01/27/10	Model Name	ECN
Appr	JOSEPH HSIA	01/28/10	Model Revision	REL Level
FCI	title			POWER EDGE CARD CONNECTOR ASSY WITH STAND-OFF
	Pro/E file	catalog	dwg no	10053363-700
			Rev. A	