

FCI CONFIDENTIAL

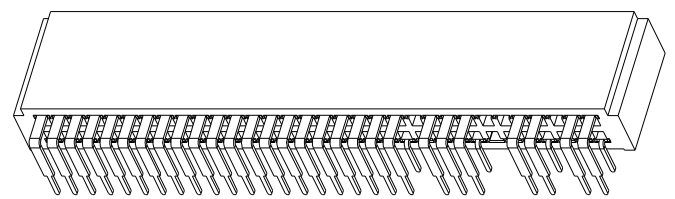
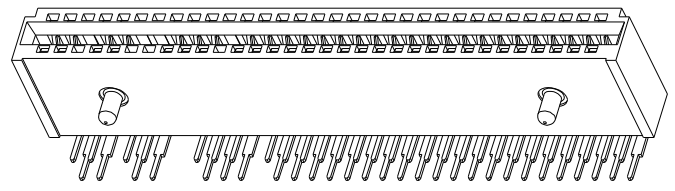


This document is the property of and embodies CONFIDENTIAL and PROPRIETARY information of FCI. No part of the information shown on this document may be used in any way or disclosed to others without the written consent of FCI. Copyright FCI.

PRODUCT NO.	POSITION
10053363-700LF	2X32

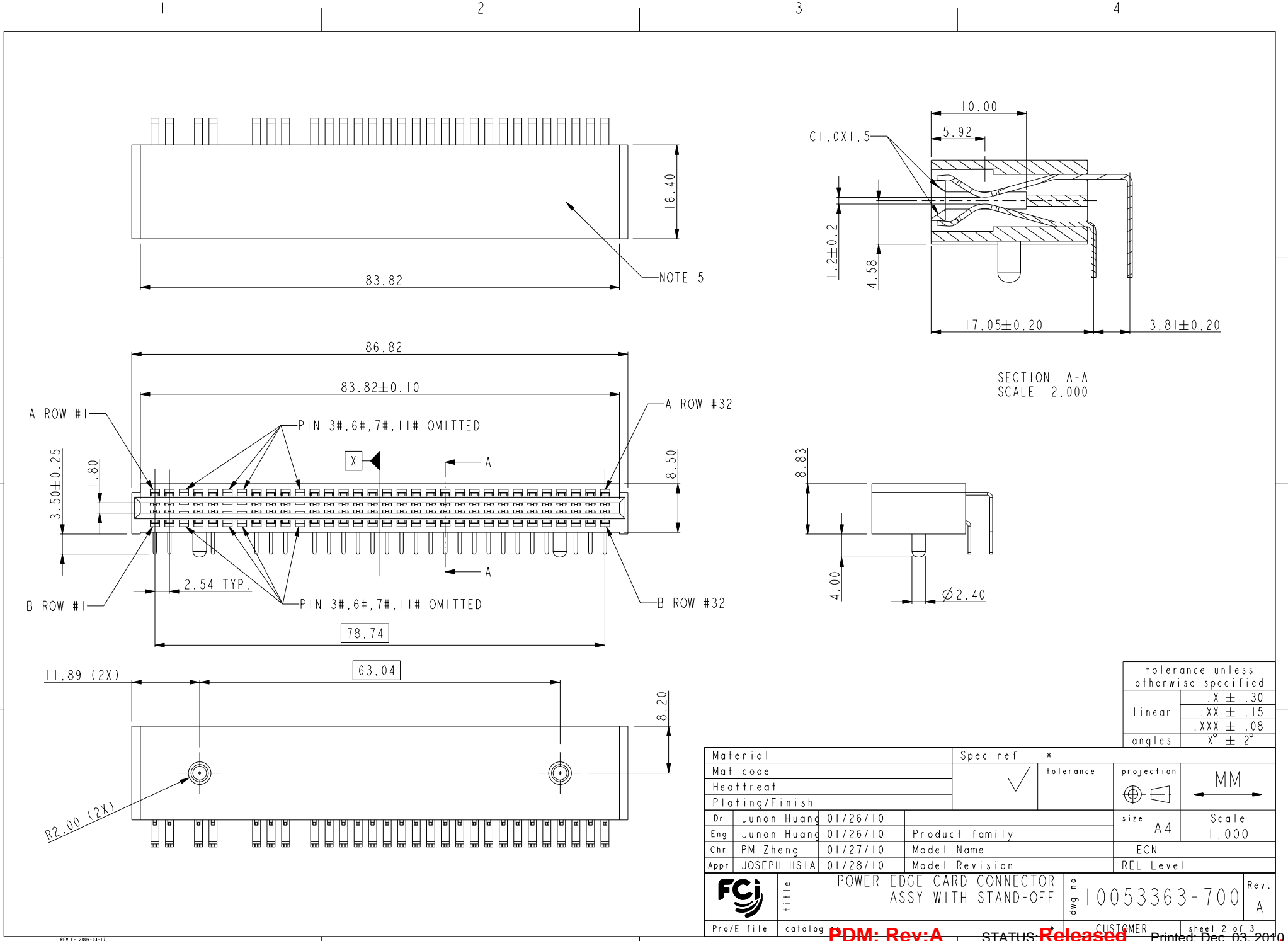
NOTES:

- MATERIALS:  
HOUSING: HIGH TEMPERATURE THERMOPLASTIC, UL 94V-0 RATED, BLACK.  
TERMINAL: HIGH CONDUCTIVITY COPPER ALLOY.  
CONTACT AREA: 30u" GOLD OVER 50u" NICKEL UNDERPLATED.  
SOLDER TAIL: 100u" TIN OVER 50u" NICKEL UNDERPLATED.
- PRODUCT PERFORMANCE SPEC. PER GS-12-259.
- PACKAGE SPECIFICATION PER GS-14-937.
- PART NUMBER 10053363-700LF MEETS EUROPEAN UNION DIRECTIVE AND OTHER COUNTRY REGULATIONS AS DESCRIBED IN GS-22-008. THE HOUSING WILL WITHSTAND EXPOSURE TO 260°C±5°C PEAK TEMPERATURE FOR 5 SECONDS IN A REFLOW SOLDER APPLICATION WITH A CIRCUIT BOARD.
- MANUFACTURER'S NAME, P/N AND DATE CODE TO APPEAR ON THIS SURFACE AS PER GS-24-007.



tolerance unless otherwise specified	
linear	.X ± .30 .XX ± .15 .XXX ± .08
angles	X° ± 2°

Mark with REV. in area indicated by X.....	Material		Spec ref		tolerance	projection	MM
	Mat code		Heatreat				
Plating/Finish		Dr Junon Huang 01/26/10		size A4		Scale 1.000	
rev		ecn no	dr	date	Eng Junon Huang 01/26/10		Product family
A		DG10-0054	Junon	02/05/10	Chr PM Zheng 01/27/10		Model Name
-		-	-	-	Appr JOSEPH HSIA 01/28/10		Model Revision
-		-	-	-	FCI		title
-		-	-	-	POWER EDGE CARD CONNECTOR ASSY WITH STAND-OFF		dwg no
-		-	-	-	Pro/E file catalog		10053363-700
-		-	-	-	PDM: Rev:A		Rev. A
-		-	-	-	STATUS: Released		sheet 1 of 3

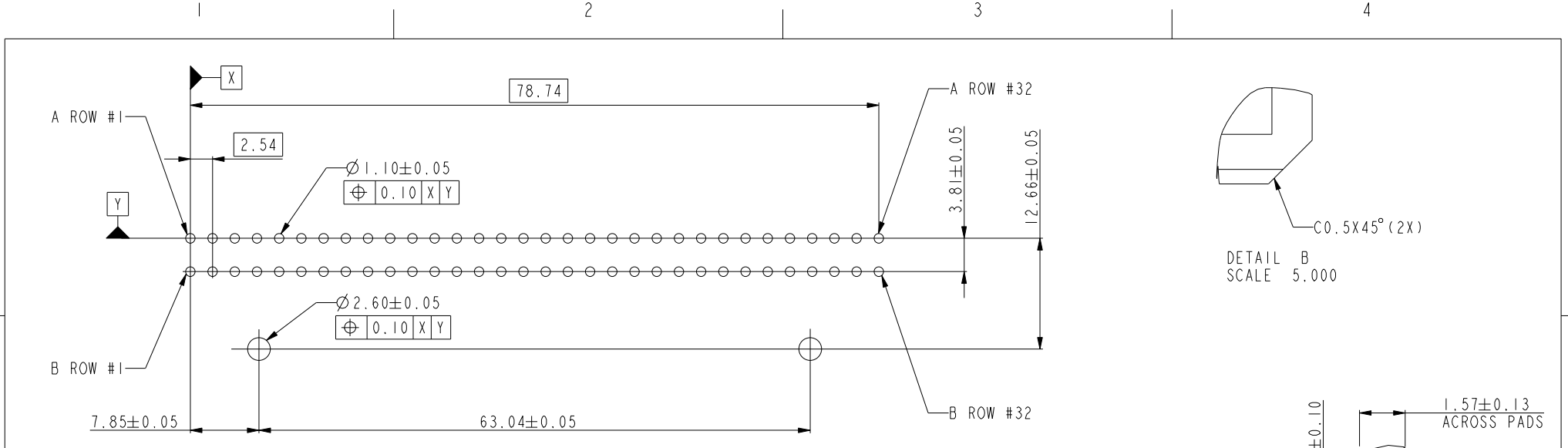


Material	Spec ref *			projection	MM
Mat code	✓	tolerance	projection	MM	
Heatreat				size	Scale
Plating/Finish				A4	1.000
Dr	Junon Huang	01/26/10			
Eng	Junon Huang	01/26/10	Product family		
Chr	PM Zheng	01/27/10	Model Name	ECN	
Appr	JOSEPH HSIA	01/28/10	Model Revision	REL Level	
FCI	title			dwg no	Rev.
Pro/E file	catalog	POWER EDGE CARD CONNECTOR ASSY WITH STAND-OFF		10053363-700	A
PDM: Rev-A			STATUS: Released		Printed: Dec 03, 2010

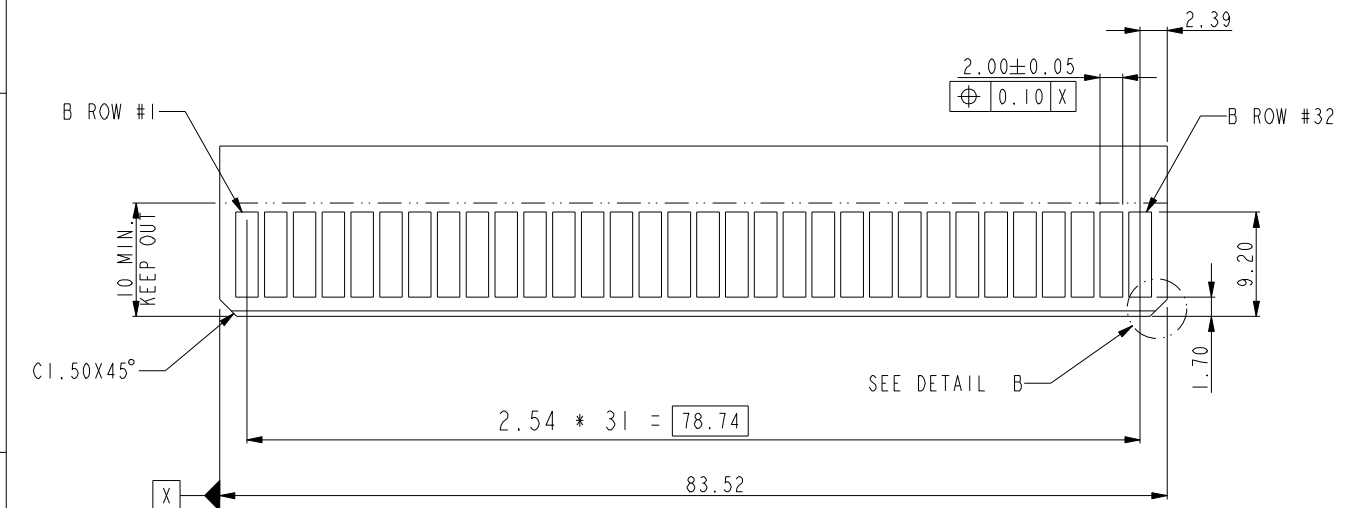
FCI CONFIDENTIAL



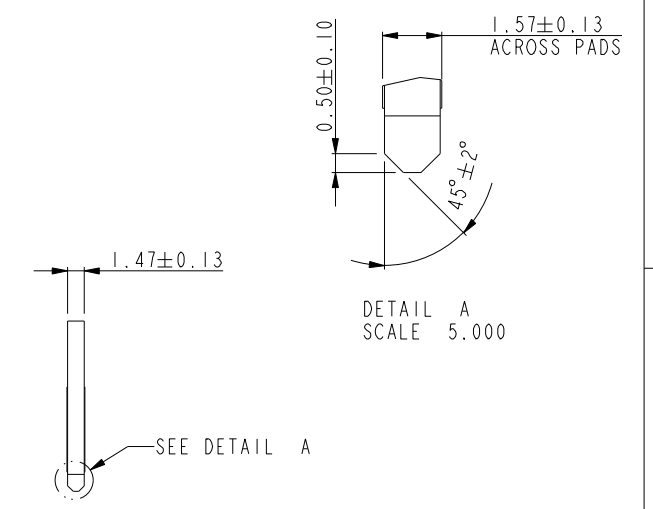
This document is the property of and embodies CONFIDENTIAL and PROPRIETARY information of FCI. No part of the information shown on this document may be used in any way or disclosed to others without the written consent of FCI. Copyright FCI.



RECOMMENDED PCB LAYOUT



RECOMMENDED DAUGHTER CARD LAYOUT (TOP SIDE)



tolerance unless otherwise specified	
linear	.X ± .30
	.XX ± .15
	.XXX ± .08
angles	X° ± 2°

Material			Spec ref *	
Mat code			✓	tolerance
Heatreat			⊕	projection
Plating/Finish			←	MM
Dr	Junon Huang	01/26/10	size	A4
Eng	Junon Huang	01/26/10	Product family	Scale 1.000
Chr	PM Zheng	01/27/10	Model Name	ECN
Appr	JOSEPH HSIA	01/28/10	Model Revision	REL Level
FCI	title			Rev. A
	POWER EDGE CARD CONNECTOR ASSY WITH STAND-OFF			
Pro/E file	catalog	PDM: Rev:A	dwg no	10053363-700
STATUS: Released			CUSTOMER	sheet 3 of 3