

Small Plastic Package, Quad SPDT Analog Switch

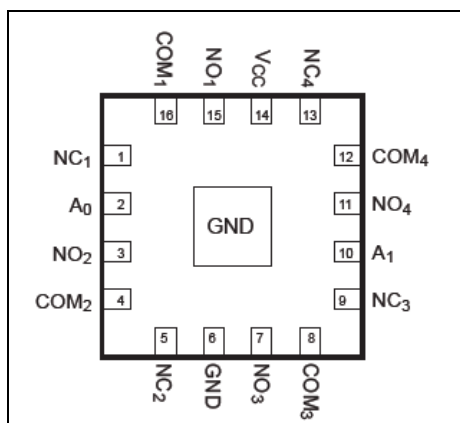
Features

- CMOS Technology for Bus and Analog Applications
- Low On-Resistance: 0.5Ω
- Wide V_{DD} Range: 1.8V to 4.2V
- Rail-to-Rail Signal Range
- High Off Isolation: -83dB @ 100kHz
- Channel-to-Channel Crosstalk Rejection: -97dB @ 100kHz
- Break-Before-Make Switching
- Extended Industrial Temperature Range: -40 °C to 85 °C
- ESD protection: 4kV(HBM)
- Packaging (Pb-free & Green): 16-PinTQFN 3x3 (ZH16)

Applications

- Cell Phones
- PDAs
- MP3 Players
- Portable Instrumentation
- Computer Peripherals
- Speaker Headset Switching
- Power Routing
- Relay Replacement
- Audio and Video Signal Routing
- PCMCIA Cards
- Modems

Pin Configuration (top view)



Description

PI3A412 is a quad single-pole double throw (SPDT) CMOS switch. It can be used as an analog switch or as a low-delay bus switch. Specified over a wide operating power supply voltage, 1.8V to 4.2V, the PI3A412 has an On-Resistance of 0.5Ω at +4.2V.

Control inputs(A_x) are independent of supply voltage.

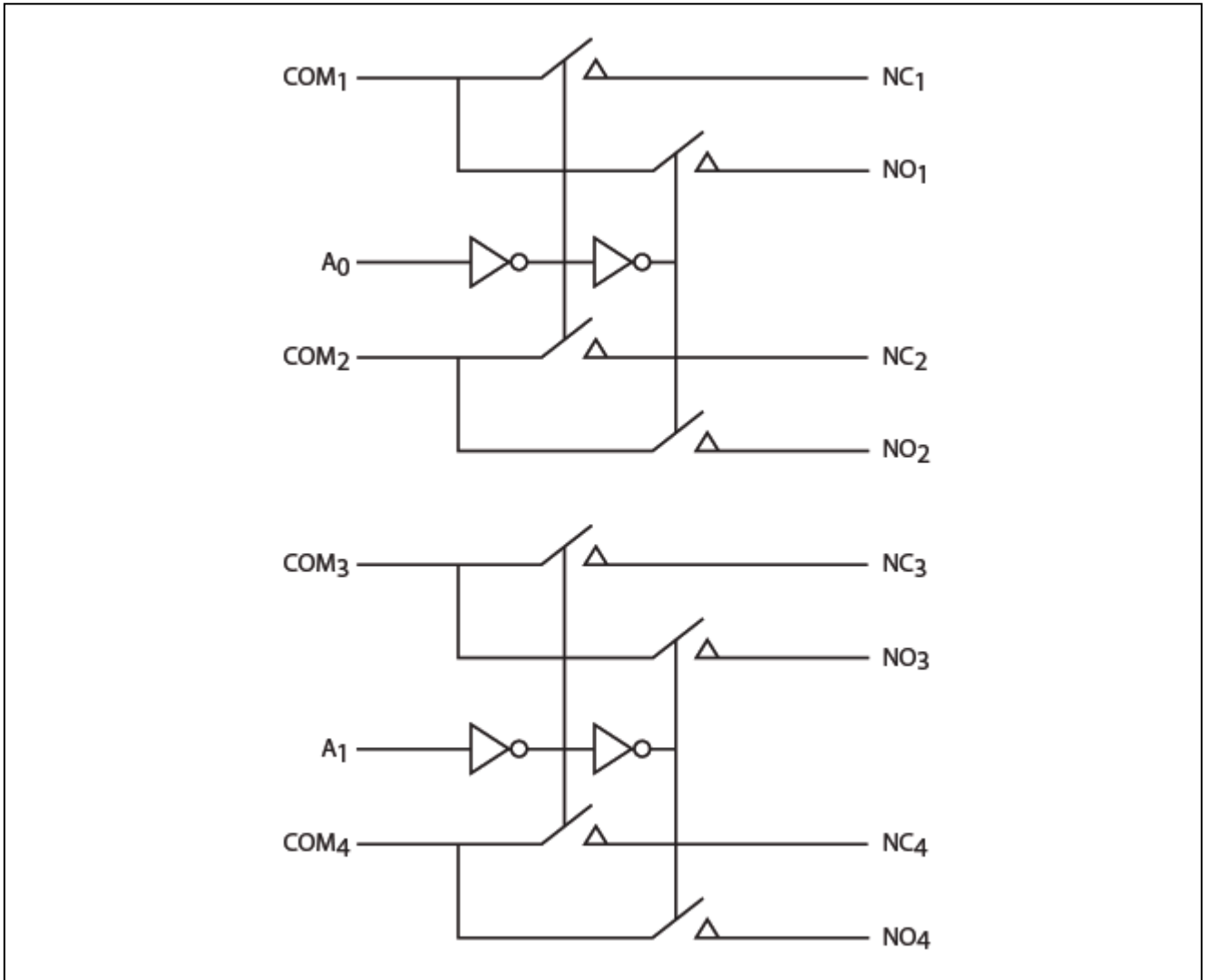
Pin Description

Pin no	Name	Description
1	NC1	Data Port (Normally connect)
2	A0	Logic Input Control
3	NO2	Data Port (Normally open)
4	COM2	Common Output / Data Port
5	NC2	Data Port (Normally connect)
6	GND	Ground
7	NO3	Data Port (Normally open)
8	COM3	Common Output / Data Port
9	NC3	Data Port (Normally connect)
10	A1	Logic Input Control
11	NO4	Data Port (Normally open)
12	COM4	Common Output / Data Port
13	NC4	Data Port (Normally connect)
14	V _{CC}	Positive Power Supply
15	NO1	Data Port (Normally open)
16	COM1	Common Output / Data Port

Logic Function Table

Logic Input (IN _x)	Function
0	NC _x Connected to COM _x
1	NO _x Connected to COM _x

Note: x = 1, 2, 3 or 4

Functional Block Diagram


A0	Function	A1	Function
0	NC _X Connected to COM _X	0	NC _Y Connected to COM _Y
1	NO _X Connected to COM _X	1	NO _Y Connected to COM _Y

Notes:

1. X = 1 or 2
2. Y = 3 or 4

Maximum Ratings

Storage Temperature.....	-65°C to +150°C
Ambient Temperature with Power Applied.....	-40°C to +85°C
Supply Voltage V_{DD}	-0.5V to +4.6V
Control Input Voltage V_{INx}	0V to +4.6V
DC Input Voltage V_{INPUT}	-0.5V to +4.6V
Continuous Current NO_NC_COM_.....	±400mA
Peak Current NO_NC_COM_.....	±500mA
(pulsed at 1ms 10% duty cycle)	
ESD (HBM)	4kV

Note:

Stresses greater than those listed under MAXIMUM RATINGS may cause permanent damage to the device. This is a stress rating only and functional operation of the device at these or any other conditions above those indicated in the operational sections of this specification is not implied. Exposure to absolute maximum rating conditions for extended periods may affect reliability.

The input and output negative voltage ratings may be exceeded if the input and output diode current ratings are observed.

Control input must be held HIGH or LOW; it must not float.

Recommended Operating Conditions

Symbol	Parameter	Conditions	Min.	Typ.	Max.	Unit
V_{CC}	Operating Voltage	-	1.8	-	4.2	V
V_{IN}	Control Input Voltage	-	0	-	V_{CC}	V
V_{INPUT}	Switch Input Voltage	-	-0.3	-	V_{CC}	V
T_A	Operating Temperature	-	-40	25	85	°C
t_r, t_f	Input Rise and Fall Time	-	0	-	10	ns/V

DC Electrical Characteristics

+3.0V Supply ($V_{DD} = 2.7V$ to $3.6V$, $V_{IH} = +1.6V$, $V_{IL} = +0.4V$, $T_A = -40\text{ °C}$ to 85 °C , unless otherwise noted. Typical values are at $3.0V$ and $+25\text{ °C}$.)

Parameter	Symbol	Test Conditions	TEMP	Min.	Typ.	Max.	Units	
ANALOG SWITCH								
Analog Signal Range	V_{NO}, V_{NC}, V_{COM}		-40 °C to 85 °C	0	-	V_{CC}	V	
On-Resistance	R_{ON}	$V_{CC} = 2.7V, I_{COM} = 100mA, V_{NO}$ or $V_{NC} = 1V, \text{Test Circuit 1}$	+25 °C	-	0.6	0.9	Ω	
			-40 °C to 85 °C	-	-	1		
On-Resistance Match Between Channels	ΔR_{ON}	$V_{CC} = 2.7V, I_{COM} = 100mA, V_{NO}$ or $V_{NC} = 1V, \text{Test Circuit 1}$	+25 °C	-	0.05	0.2	Ω	
			-40 °C to 85 °C	-	0.05	0.24		
On-Resistance Flatness	R_{ONF}	$V_{CC} = 2.7V, I_{COM} = 100mA, V_{NO}$ or $V_{NC} = 1V, 2.5V, \text{Test Circuit 1}$	+25 °C	-	0.05	0.15	Ω	
			-40 °C to 85 °C	-	0.1	0.2		
Source Off Leakage Current	$I_{OFF(NO)}$ or $I_{OFF(NC)}$	$V_{CC} = 3.6V, V_{NO}$ or $V_{NC} = 3.3V/0.3V, V_{COM} = 0.3V/3.3V$	-40 °C to 85 °C	-	-	1	μA	
Channel On Leakage Current	$I_{NC(ON)}, I_{NO(ON)}, I_{COM(ON)}$	$V_{CC} = 3.6V, V_{NO}$ or $V_{NC} = 3V/0.3V, V_{COM} = 3V/0.3V$, or floating	-40 °C to 85 °C	-	-	1		
DIGITAL INPUTS								
Input Logic High	V_{IH}		-40 °C to 85 °C	1.2	-	-	V	
Input Logic Low	V_{IL}		-40 °C to 85 °C	-	-	0.5		
IN Input Leakage Current	I_{IN}	$V_{CC} = 2.7V, V_{IN} = 0$ or $2.7V$	-40 °C to 85 °C	-	-	1	μA	
DYNAMIC CHARACTERISTICS								
Turn-On Time	t_{ON}	$V_{CC} = 3.3V, V_{NO}$ or $V_{NC} = 2.0V, R_L = 50\Omega, C_L = 35pF, \text{See Test Circuit Figure 2.}$	+25 °C	-	16	-	ns	
Turn-Off Time	t_{OFF}		+25 °C	-	60	-	ns	
Break-Before-Make Delay	t_D	$V_{IH} = 1.5V, V_{IL} = 0V, \text{See Test Circuit Figure 3.}$	+25 °C	-	10	-	ns	
NC-NO and COM-NC/NO Off-Isolation	O_{ISO}	$V_{BIAS} = 1.5V, V_{IN} = 0dBm, V_{IH} = 1.5V, V_{IL} = 0V. \text{See Test Circuit Figure 4 \& Figure 5}$	100kHz	+25 °C	-	-81	-	dB
			1MHz	+25 °C	-	-61	-	
			10MHz	+25 °C	-	-39	-	
Channel-to-Channel Crosstalk	X_{TALK}	$V_{BIAS} = 1.5V, V_{IN} = 0dBm, V_{IH} = 1.5V, V_{IL} = 0V \text{See Test Circuit Figure 6.}$	100kHz	+25 °C	-	-97	-	dB
			1MHz	+25 °C	-	-98	-	
			10MHz	+25 °C	-	-77	-	
3dB Bandwidth	f_{3dB}	$V_{BIAS} = 1.5V, V_{IN} = 0dBm, V_{IH} = 1.5V, V_{IL} = 0V. \text{See Test Circuit Figure 7.}$	+25 °C	-	79	-	MHz	
Charge Injection Select Input to Common I/O	Q	$V_{IN} = GND, R_S = 0, C_L = 1nF, V_{IH} = 1.5V, V_{IL} = 0V \text{See Test Circuit Figure 8.}$	+25 °C	-	35	-	pC	
Off Capacitance	$C_{NC(OFF)}$	$f = 1MHz, \text{See Test Circuit Figure 9}$	+25 °C	-	20	-	pF	
Off capacitance	$C_{NO(OFF)}$			-	20	-		
On Capacitance	C_{ON}			$f = 1MHz, \text{See Test Circuit Figure 10}$	-	55		-

+4.2V Supply ($V_{DD} = 4.2V$, $T_A = -40\text{ }^\circ\text{C}$ to $85\text{ }^\circ\text{C}$, unless otherwise noted. Typical values are at $4.2V$ and $+25\text{ }^\circ\text{C}$.)

Parameter	Symbol	Test Conditions	TEMP	Min.	Typ.	Max.	Units
Analog Switch							
Analog Signal Range	V_{NO}, V_{NC}, V_{COM}		$-40\text{ }^\circ\text{C}$ to $85\text{ }^\circ\text{C}$	0	-	V_{CC}	V
On-Resistance	R_{ON}	$V_{CC} = 4.2V, I_{COM} = 100mA, V_{NO}$ or $V_{NC} = 1V$, <i>Test Circuit 1</i>	$+25\text{ }^\circ\text{C}$	-	0.5	0.75	Ω
			$-40\text{ }^\circ\text{C}$ to $85\text{ }^\circ\text{C}$	-	-	0.85	
On-Resistance Match Between Channels	ΔR_{ON}	$V_{CC} = 4.2V, I_{COM} = 100mA, V_{NO}$ or $V_{NC} = 1V$, <i>Test Circuit 1</i>	$+25\text{ }^\circ\text{C}$	-	0.05	0.15	Ω
			$-40\text{ }^\circ\text{C}$ to $85\text{ }^\circ\text{C}$	-	0.1	0.2	
On-Resistance Flatness	R_{ONF}	$V_{CC} = 4.2V, I_{COM} = 100mA, V_{NO}$ or $V_{NC} = 1V, 2.5V$, <i>Test Circuit 1</i>	$+25\text{ }^\circ\text{C}$	-	0.1	0.22	Ω
			$-40\text{ }^\circ\text{C}$ to $85\text{ }^\circ\text{C}$	-	-	0.26	
Source Off Leakage Current	$I_{OFF(NO)}$ or $I_{OFF(NC)}$	$V_{CC} = 4.2V, V_{NO}$ or $V_{NC} = 3.3V/0.3V, V_{COM} = 0.3V/3V$	$-40\text{ }^\circ\text{C}$ to $85\text{ }^\circ\text{C}$	-	-	1	μA
Channel On Leakage Current	$I_{NC(ON)}, I_{NO(ON)}, I_{COM(ON)}$	$V_{CC} = 4.2V, V_{NO}$ or $V_{NC} = 3V/0.3V, V_{COM} = 3V/0.3V$, or floating	$-40\text{ }^\circ\text{C}$ to $85\text{ }^\circ\text{C}$	-	-	1	
DIGITAL INPUTS							
Input Logic High	V_{IH}	-	$-40\text{ }^\circ\text{C}$ to $85\text{ }^\circ\text{C}$	1.2	-	-	V
Input Logic Low	V_{IL}	-	$-40\text{ }^\circ\text{C}$ to $85\text{ }^\circ\text{C}$	-	-	0.5	
IN Input Leakage Current	I_{IN}	$V_{CC} = 4.2V, V_{IN} = 0$ or $4.2V$	$-40\text{ }^\circ\text{C}$ to $85\text{ }^\circ\text{C}$	-	-	1	μA
DYNAMIC CHARACTERISTICS							
Turn-On Time	t_{ON}	$V_{IH} = 4.2V, V_{IL} = 2.0V, R_L = 50\Omega, C_L = 35pF$, <i>See Test Circuit Figure 2.</i>	$+25\text{ }^\circ\text{C}$	-	13	-	ns
Turn-Off Time	t_{OFF}		$+25\text{ }^\circ\text{C}$	-	38	-	ns
Break-Before-Make Delay	t_D	V_{NO} or $V_{NC} = 1.5V, R_L = 50\Omega, C_L = 35pF$ <i>See Test Circuit Figure 3.</i>	$+25\text{ }^\circ\text{C}$	-	8	-	ns
NC-NO and COM-NC/NO Off-Isolation	O_{ISO}	Signal = 0dBm, V_{NO} or V_{NC} centered between V_{CC} and GND, $R_L = 50\Omega$, <i>See Test Circuit Figure 4 & Figure 5.</i>	100kHz	$+25\text{ }^\circ\text{C}$	-	-83	dB
			1MHz	$+25\text{ }^\circ\text{C}$	-	-61	
			10MHz	$+25\text{ }^\circ\text{C}$	-	-40	
Channel-to-channel Crosstalk	X_{TALK}	$V_{BIAS} = 2.1V, V_{IN} = 0dBm, V_{IH} = 3V, V_{IL} = 0V$ <i>See Test Circuit Figure 6.</i>	100kHz	$+25\text{ }^\circ\text{C}$	-	-97	dB
			1MHz	$+25\text{ }^\circ\text{C}$	-	-97	
			10MHz	$+25\text{ }^\circ\text{C}$	-	-77	
3dB Bandwidth	f_{3dB}	$V_{BIAS} = 2.1V, V_{IN} = 0dBm, V_{IH} = 3V, V_{IL} = 0V$. <i>See Test Circuit Figure 7.</i>	$+25\text{ }^\circ\text{C}$	-	78	-	MHz
Charge Injection Select Input to Common I/O	Q	$V_{IN} = GND, R_S = 0, C_L = 1nF$, <i>See Test Circuit Figure 8.</i>	$+25\text{ }^\circ\text{C}$	-	50	-	pC
Off Capacitance	$C_{NC(OFF)}$	$f = 1MHz$, <i>See Test Circuit Figure 9</i>	$+25\text{ }^\circ\text{C}$	-	20	-	pF
Off capacitance	$C_{NO(OFF)}$			-	20	-	
On Capacitance	C_{ON}			$f = 1MHz$, <i>See Test Circuit Figure 10</i>	$+25\text{ }^\circ\text{C}$	-	
POWER REQUIREMENTS							
Power Supply Range	V_{CC}	-	$-40\text{ }^\circ\text{C}$ to $85\text{ }^\circ\text{C}$	1.8	-	4.2	V
Power Supply Current	I_{CC}	$V_{CC} = 4.2V, V_{IN} = 0V$ or V_{CC}	$-40\text{ }^\circ\text{C}$ to $85\text{ }^\circ\text{C}$	-	-	1	μA

Test Circuits and Timing Diagrams

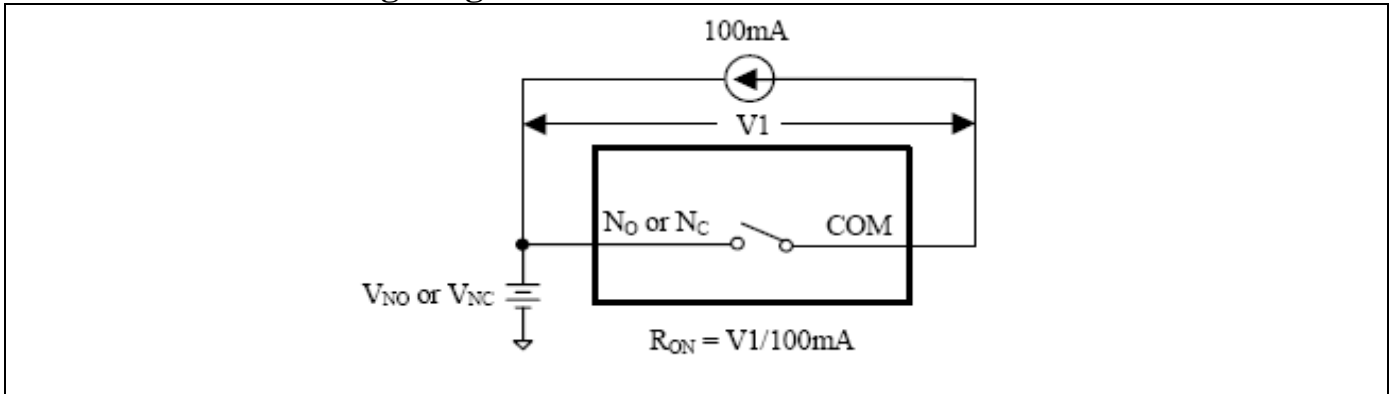


Figure 1. On Resistance

Notes:

1. Unused input (NC or NO) must be grounded.

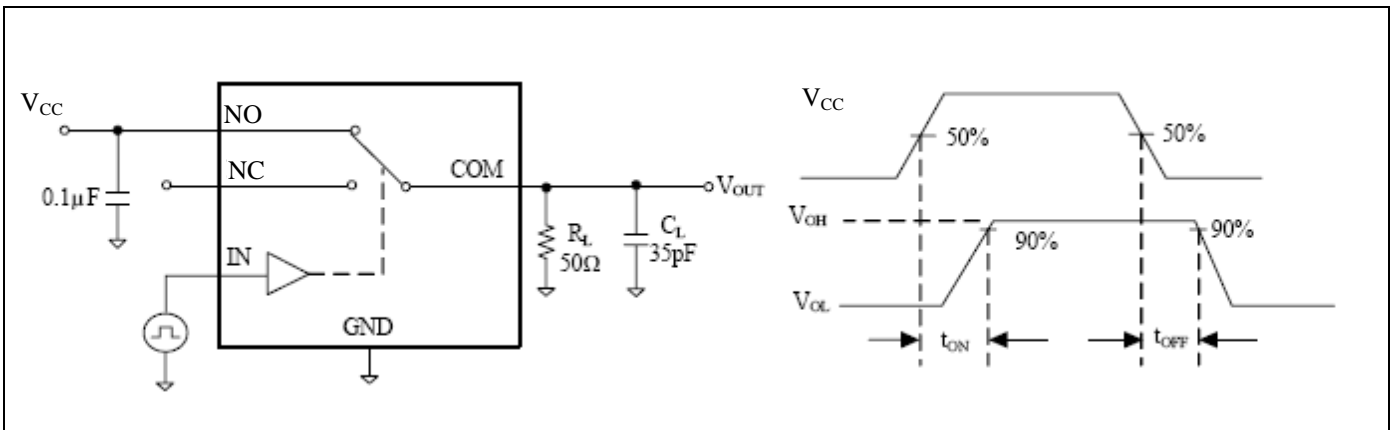


Figure 2. Switching Times

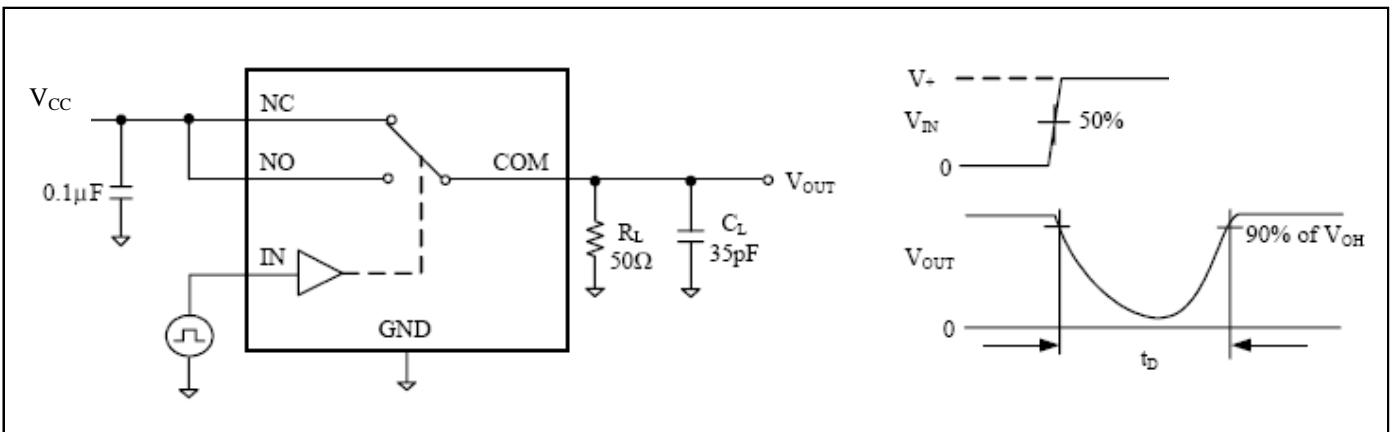


Figure 3. Break Before Make Interval Timing

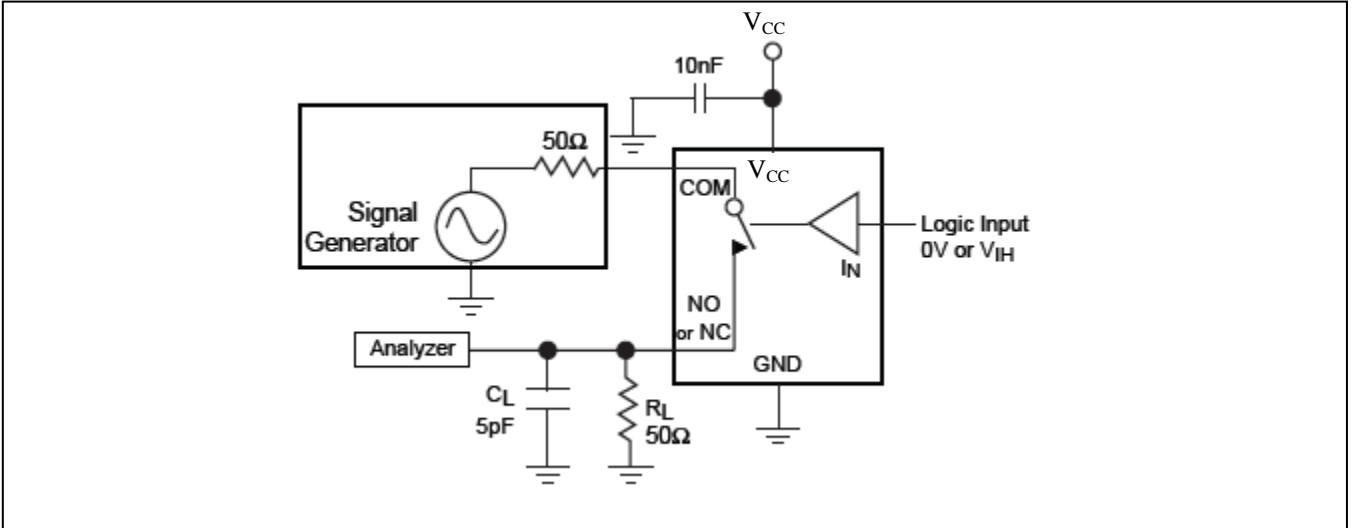


Figure 4. COM-NC/NO Isolation

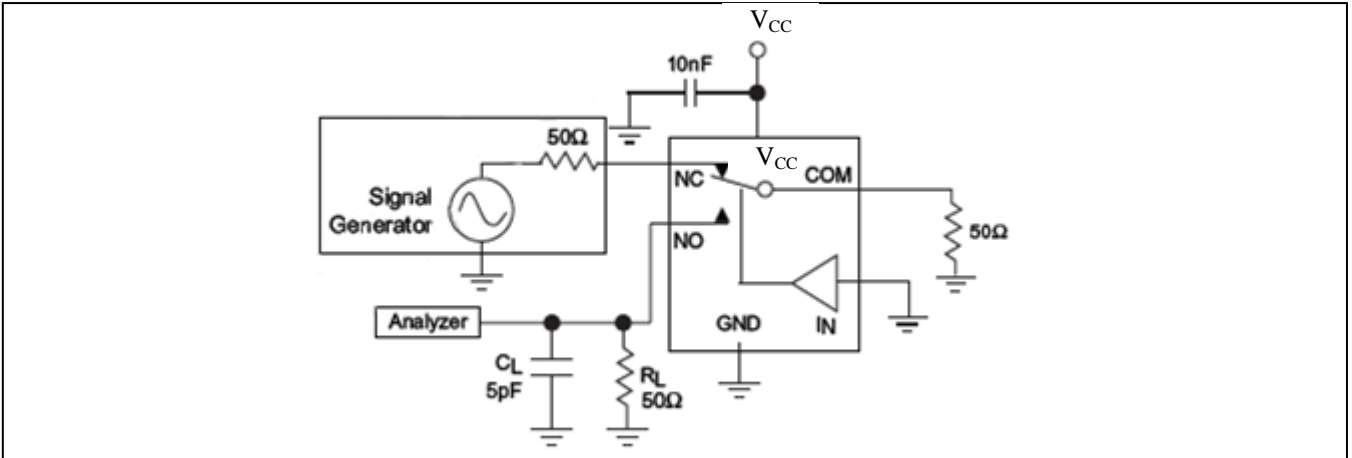


Figure 5. NC-NO Isolation

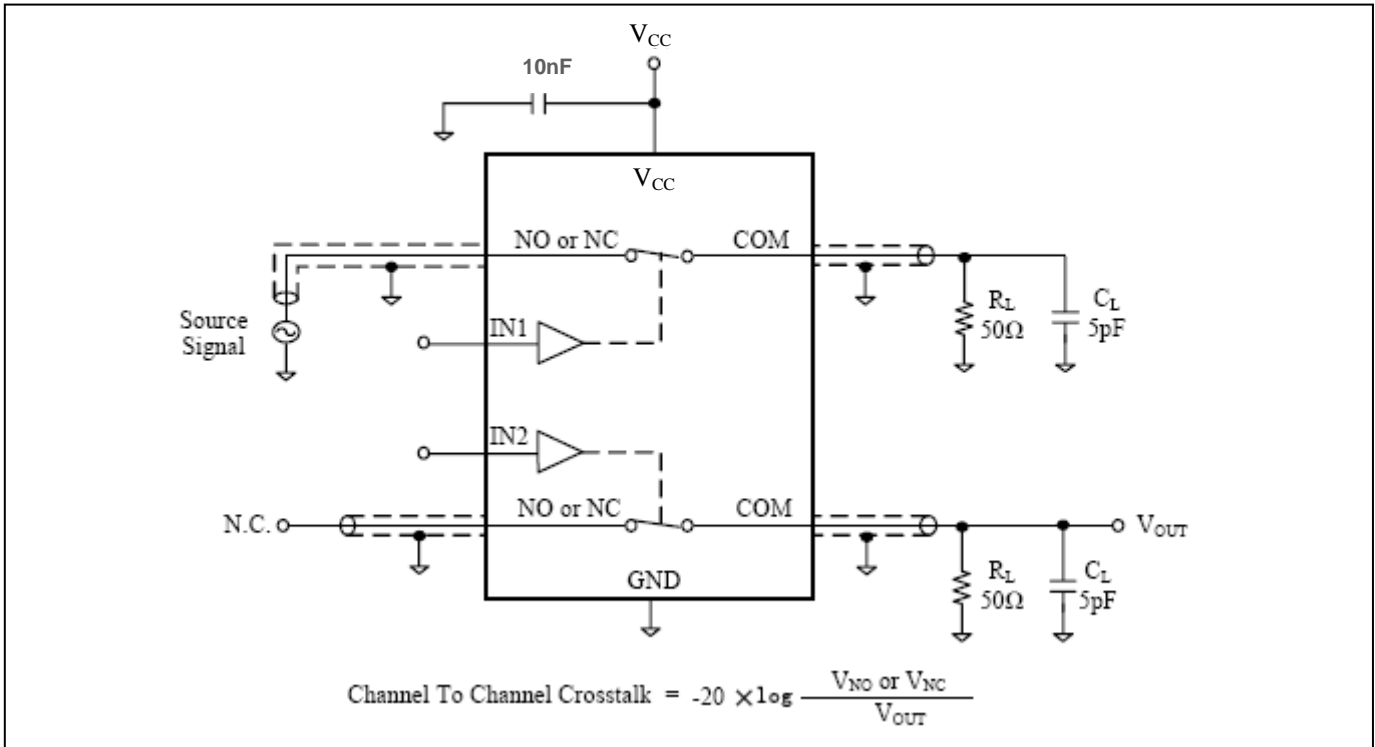


Figure 6. Channel-to-Channel Crosstalk

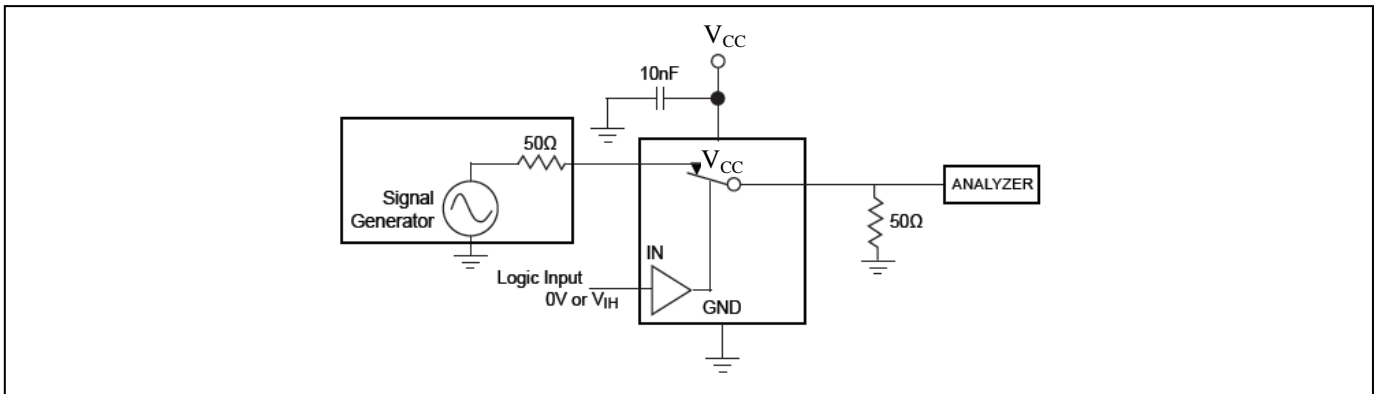


Figure 7. Bandwidth

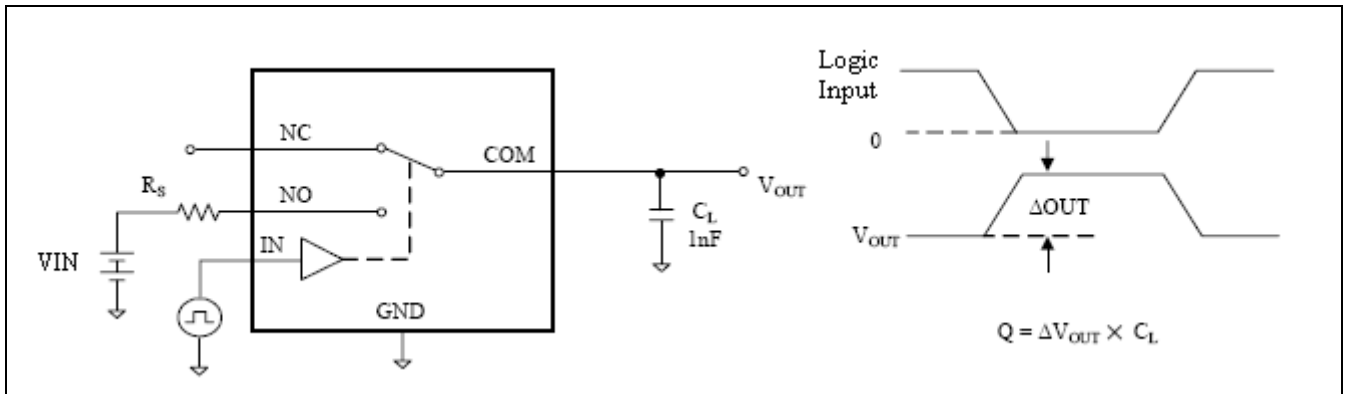


Figure 8. Charge Injection

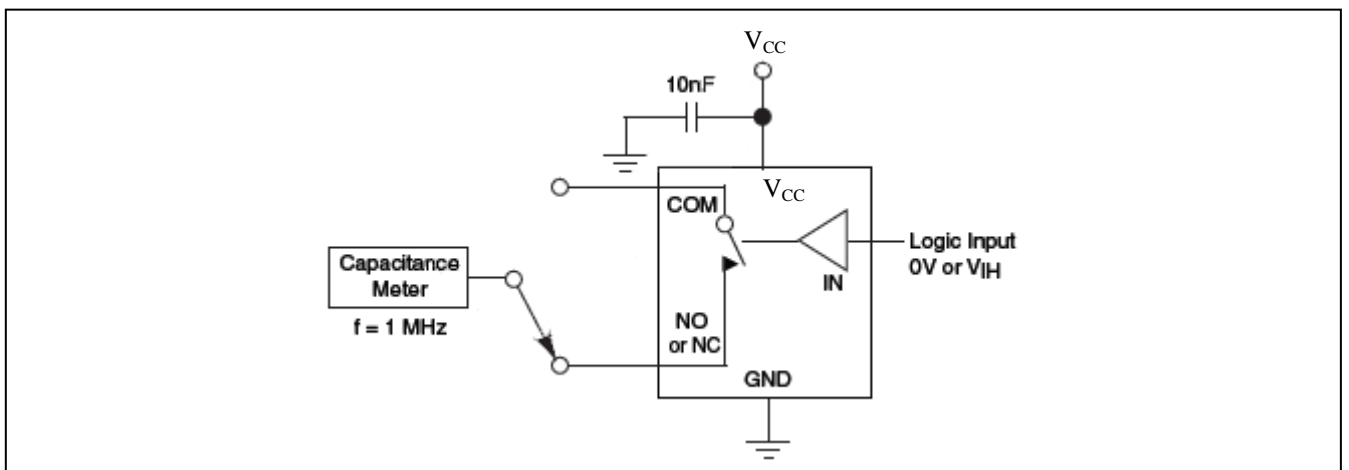


Figure 9. Channel Off Capacitance

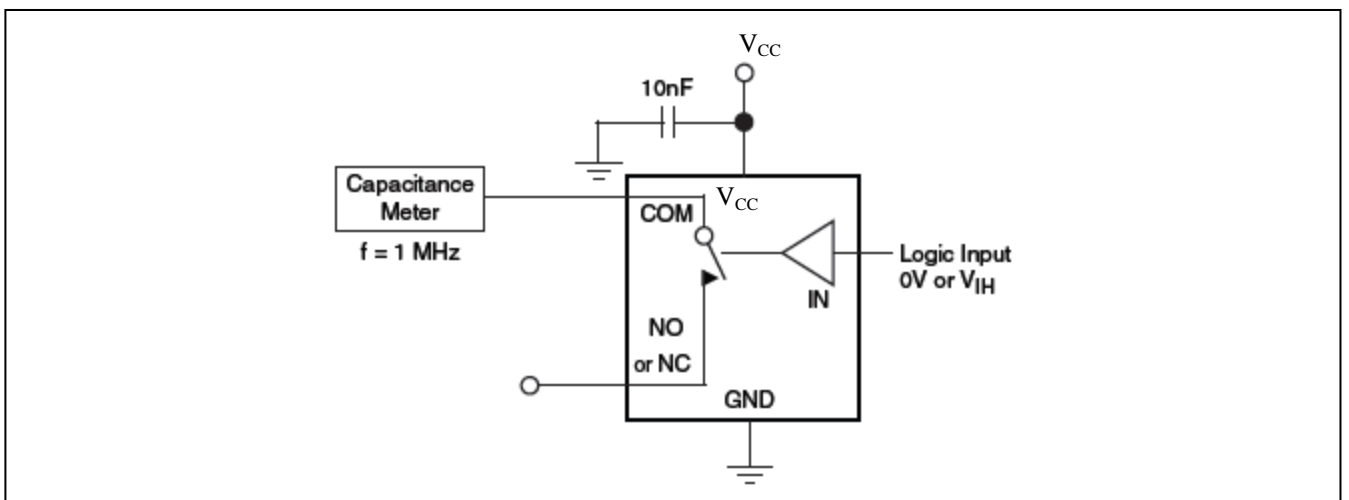
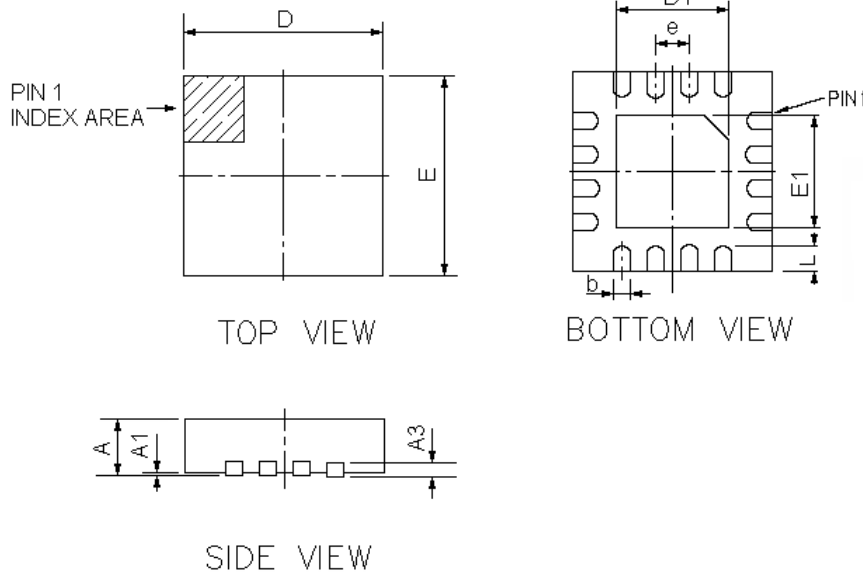


Figure 10. Channel On Capacitance

Mechanical Information
16-pin TQFN (ZH16)

DOCUMENT CONTROL NO. PD-0043
REVISION: A
DATE: 6/6/2012



PKG. DIMENSIONS(MM)		
SYMBOL	MIN.	MAX.
A	0.70	0.80
A1	0.00	0.05
A3	0.20 REF	
D	2.90	3.10
E	2.90	3.10
D1	1.60	1.80
E1	1.60	1.80
b	0.18	0.30
e	0.50 TYP	
L	0.30	0.50

Note:

1) Ref: JEDEC MO-220J

Pericom Technology (Shanghai) Co.Ltd.
 3/F., 20 Building ,481 Gui Ping Road,
 Shanghai,200233
 Tel:(86-21)6485-0576. Fax: (86-21)6485-2181

DESCRIPTION: 16 Pin, TQFN, 3X3
PACKAGE CODE: ZH16
Ordering Information

Part Number	Packaging Code	Package
PI3A412ZHE	ZH	Lead Free and Green 16-pin TQFN

Notes:

- E = Pb-free and Green
- Adding X Suffix= Tape/Reel

 Pericom Semiconductor Corporation • 1-800-435-2336 • www.pericom.com

Pericom reserves the right to make changes to its products or specifications at any time, without notice, in order to improve design or performance and to supply the best possible product. Pericom does not assume any responsibility for use of any circuitry described other than the circuitry embodied in Pericom product. The company makes no representations that circuitry described herein is free from patent infringement or other rights, of Pericom.