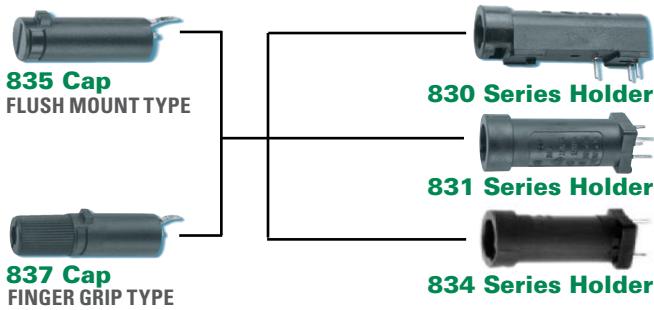
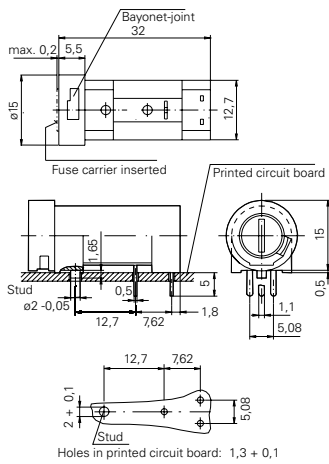


830/831/834 Series Circuit Board Mount Enclosed Fuse Holders

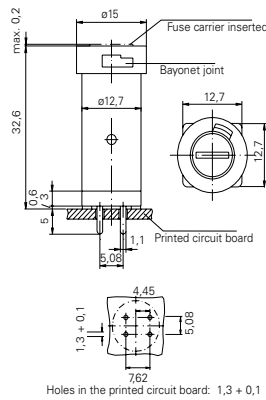


Product Dimensions

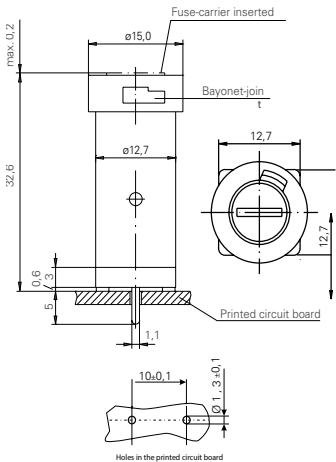
830 Series



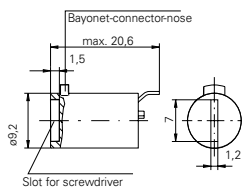
831 Series



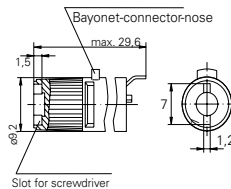
834 Series



835 Cap



837 Cap






Product Characteristics

	830 Series	831 Series	834 Series
Compatible Fuse Types	5x20mm	5x20mm	5x20mm
Materials	Holder/Cap: Black Thermoplastic, UL94 V-0		
	Metal Parts: Copper alloy, corrosion protected		
	Terminals: Solderable, tinned		
Electrical Data (23°C)	Rated Voltage: 250V		
	Rated Current: 6.3A (VDE) 16A (UL/CSA)		
	Rated Power: 1.6W (VDE)	Rated Power: 2.5W (VDE)	Rated Power: 2.5W (VDE with 835 cap)
Mounting	(3) Solder pins 0.5mmx1.1mm and plastic stud. The pins spaced at 5.08mm	(4) Solder pins 0.5mmx1.1mm The pins spaced at 5.08mm form a common connection.	(2) Solder pins 0.5mmx1.1mm
	Protection Class & Category IP 40 (IEC 60529) PC2 (IEC 60127-6)		
Operating Temperature*	-25 °C to 70 °C		
Climatic Test	-25°C/+70°C/21 days (IEC 60068-2-1...3)		
Stock Conditions	+10°C to +60°C relative humidity ≤ 75% yearly average, without dew, maximum value for 30 days - 95%		
Vibration Resistance	24 cycles at 15 min. each (IEC 60068-2-6) 10 - 60Hz at 0.75mm amplitude 60 - 2000Hz at 10g acceleration		
Contact Resistance	≤ 5mΩ		
Dielectric Strength	> 1.5 kV		
Impulse Voltage	4 kV, 50 Hz, 1 min., dry		4 kV with 1,2µs/50µs
Insulation Resistance	> 10 ³ MΩ (500 VDC, 1 min.)		
Solderability	235°C, 3 sec. (Wave) 350°C, 1 sec. (Soldering Iron)		235°C, 2 sec. (Soldering bath) (IEC 60068-2-20) 350°C, 3 sec. (Soldering Iron) (IEC 60068-2-20)
	260°C, 5 sec. (IEC 60068-2-20)		260°C, 5 sec. (Soldering bath) (IEC 60068-2-20)
Minimum Cross Section	Conducting path - 0.2mm ²		
Marking	830, 250V, Approvals	831, 250V, Approvals	834, 250V, Approvals
Unit Weight	4.4g (Holder) / 1.6g (835) / 2.2g (837)	4.1g (Holder) / 1.6g (835) / 2.2g (837)	3.5g (834) / 1.6g (835) / 2.2g (837)

* Refer to Fuseology for information on proper fuseholder re-rating.

Agency Approval

Agency	Agency File Number		
	830 Series	831 Series	834 Series
	120623	123441	6913
	E70164		
	47574		

Ordering Information

Ordering PN	Description	Packaging
Fuseholder		
83000000005	ACS 5x20mm Fuseholder 830 Series for 250V	Bulk/100pcs
83100000005	ACS 5x20mm Fuseholder 831 Series for 250V	Bulk/100pcs
83400000005	ACS 5x20mm Fuseholder 834 Series for 250V	Bulk/100pcs
Fuseholder Cap		
83500000005	ACS 5x20mm Fuseholder CAP 835 Series	Bulk/100pcs
83700000005	ACS 5x20mm Fuseholder CAP 837 Series	Bulk/100pcs

Additional Information



Datasheet
830 Series



Resources
830 Series



Samples
830 Series



Datasheet
831 Series



Resources
831 Series



Samples
831 Series



Datasheet
834 Series



Resources
834 Series



Samples
834 Series

Disclaimer Notice - Information furnished is believed to be accurate and reliable. However, users should independently evaluate the suitability of and test each product selected for their own applications. Littelfuse products are not designed for, and may not be used in, all applications. Read complete Disclaimer Notice at: www.littelfuse.com/disclaimer-electronics.