

Single Turn Trimmer

Model 22



Features:

- 3 mm square
- Sealed single turn
- Cermet
- Surface mount

Model Styles Available

| | |
|------------|-----|
| J Hook | 22A |
| Side Mount | 22S |

Electrical

| | |
|-------------------------------|--|
| Standard Resistance Range | 10 Ohms to 2 Megohms |
| Standard Resistance Tolerance | ±20% |
| Input Voltage | 200 Vdc Max. or rms not to exceed power rating |
| Power Rating | 0.125 Watts at 70°C derating to 0 at 125°C |
| End Resistance | 1% or 3 Ohms Max., whichever is greater |
| Actual Electrical Travel | 220° nominal |
| Dielectric Strength | 500 Vrms |
| Insulation Resistance | 100 Megohms Min. |
| Resolution | Essentially infinite |
| Contact Resistance Variation | 3% or 3 Ohms Max., whichever is greater |

Environmental

| | |
|-----------------------------|--|
| Seal | 85°C Fluorinert® (No Leaks) |
| Temperature Coefficient | ±100 ppm/°C (<100 Ohms = ±150 ppm/°C) |
| Operating Temperature Range | -55°C to +125°C |
| Thermal Shock | Five cycles -55°C to +125°C (2% ΔRT, 1% ΔVR) |
| Moisture Resistance | Ten 24 hour cycles (3% ΔRT) |
| Shock | 6 ms sawtooth, 100 G's (1% ΔRT, 1% ΔVR) |
| Vibration | 20 G's, 10 to 2,000 Hz (1% ΔRT, 1% ΔVR) |
| High Temperature Exposure | 250 hours at 125°C (2% ΔRT, 2% ΔVR) |
| Rotational Life | 100 cycles (3% ΔRT) |
| Load Life | 1,000 hours at 70°C & 0.125 Watts (3% ΔRT, 1% ΔVR) |
| Resistance to Solder Heat | 260°C for 5 seconds |

General Note

TT Electronics reserves the right to make changes in product specification without notice or liability. All information is subject to TT Electronics' own data and is considered accurate at time of going to print.

Mechanical

| | |
|------------------|--------------------------------|
| Mechanical Stops | Solid |
| Stop Strength | 1.3 oz.-in. Min. (300 g-cm) |
| Torque | 0.65 oz.-in. Max. (150 g-cm) |
| Weight | 0.002 oz. nominal (0.14 grams) |
| Wiper Position | Approximately 50% |

Ordering Information



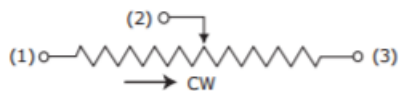
Packaging Information

Standard (no code): Boxes. Capacity = 100 units.

Option (TR code): Tape & Reel. All units oriented with #2 (slider) pin adjacent to sprocket holes.

| | Pin Style | A | S |
|------|------------|-------------|--------------|
| Tape | Width = | 12 mm | 16 mm |
| | Sprocket = | 4 mm pitch | 4 mm pitch |
| | Capacity = | 1000 units | 200 units |
| Reel | Diameter = | 7" (178 mm) | 10" (254 mm) |

Circuit Diagram



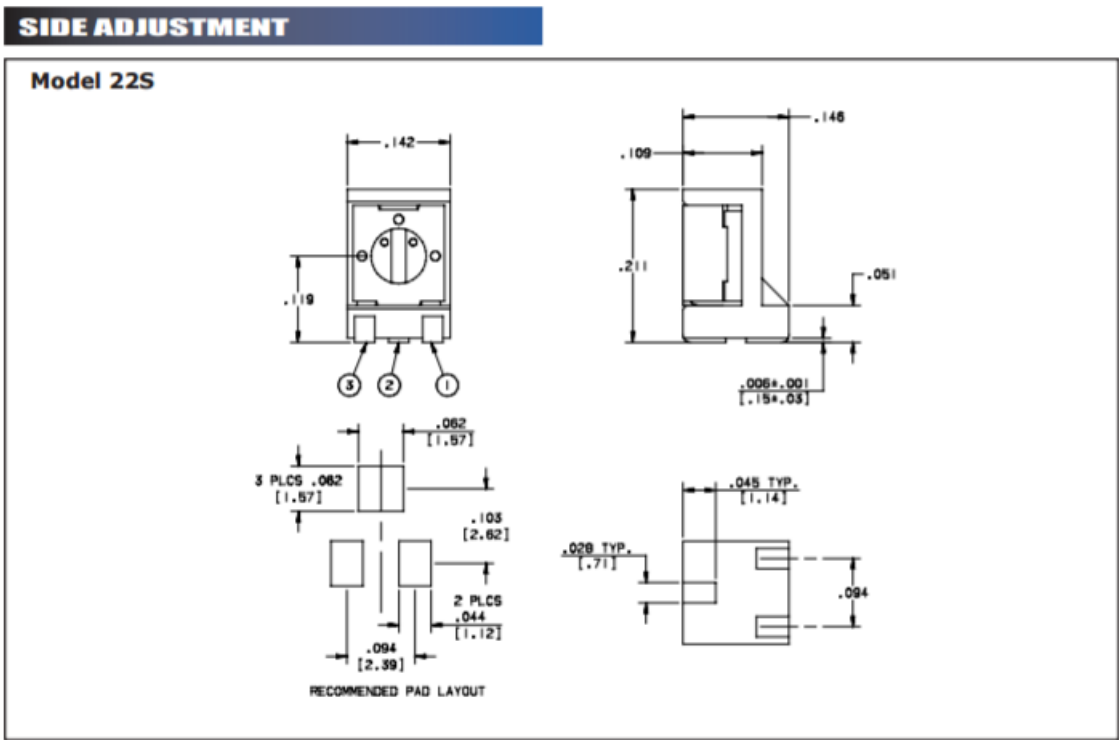
Standard Resistance Values, Ohms

| | | | | | |
|----|-----|----|-----|------|------|
| 10 | 100 | 1K | 10K | 100K | 1Meg |
| 20 | 200 | 2K | 20K | 200K | 2Meg |
| 50 | 500 | 5K | 50K | 500K | |

General Note

TT Electronics reserves the right to make changes in product specification without notice or liability. All information is subject to TT Electronics' own data and is considered accurate at time of going to print.

Outline Drawings



General Note
 TT Electronics reserves the right to make changes in product specification without notice or liability. All information is subject to TT Electronics' own data and is considered accurate at time of going to print.