

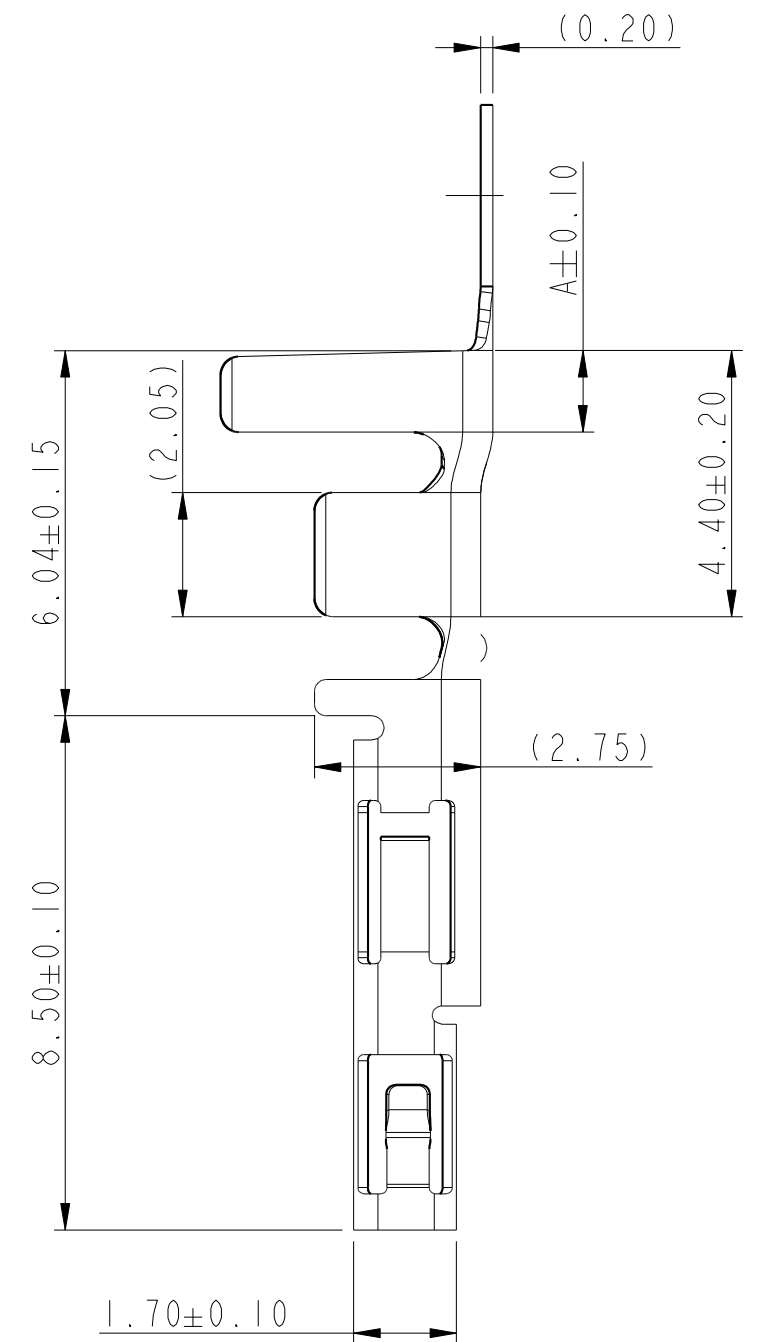
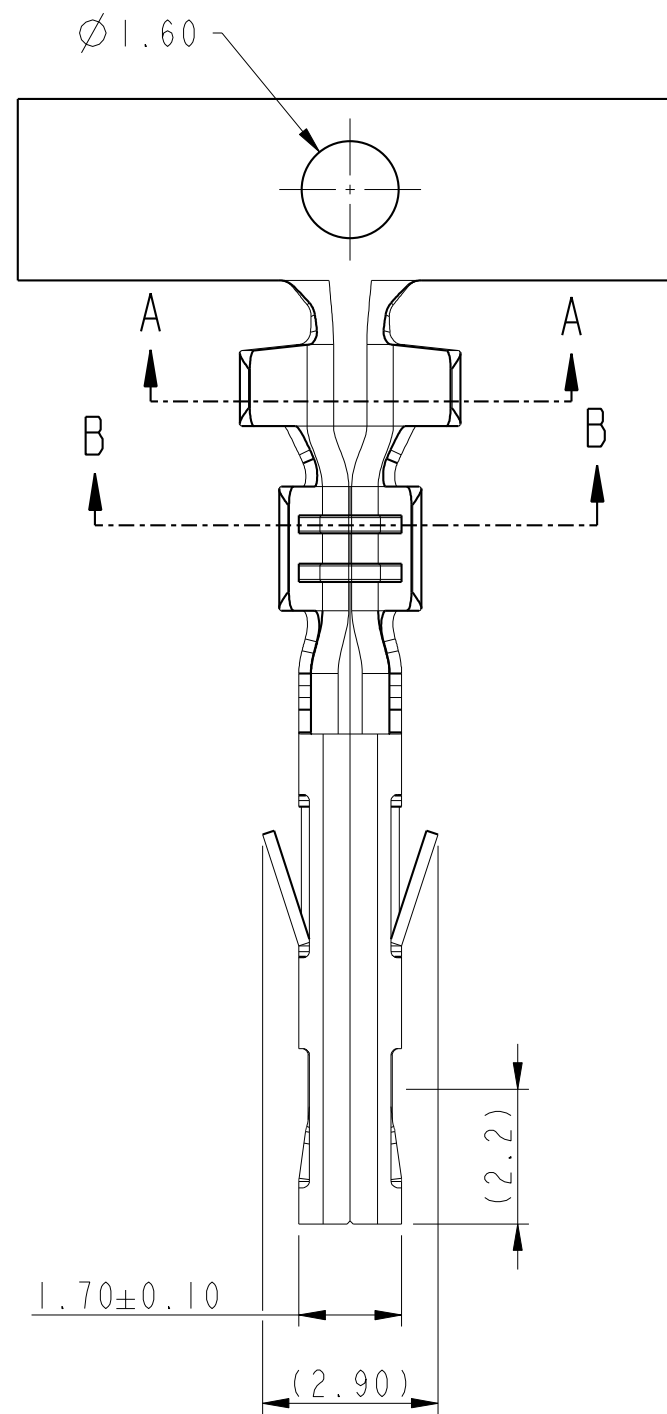
PRODUCT NUMBER

10134170-YXXXLF

RoHS COMPATIBLE,  
LEAD FREE  
LUBRICANT  
APPLICABLE AWG  
MATERIAL  
PLATING

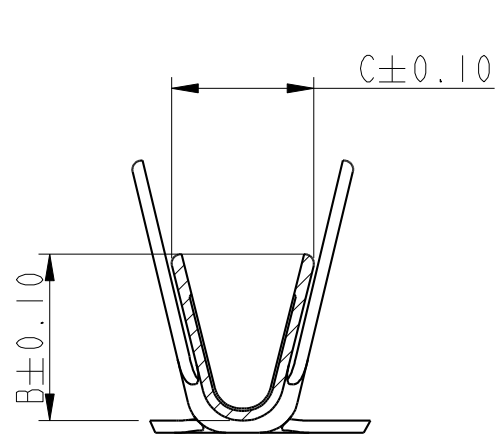
NOTES

- 1- PLATING :
- 1- GOLD FLASH 0.1 μm MIN ON CONTACT AREA  
2 μm MIN MATTE TIN ON CRIMPING AREA  
1.27 μm MIN Ni UNDERLAYER
  - 2- FULL TIN : 2 μm MIN MATTE TIN OVERALL
  - 3- GOLD 0.38 μm MIN ON CONTACT AREA  
2 μm MIN MATTE TIN ON CRIMPING AREA  
1.27 μm MIN Ni UNDERLAYER
  - 4- GOLD 0.76 μm MIN ON CONTACT AREA  
2 μm MIN MATTE TIN ON CRIMPING AREA  
1.27 μm MIN Ni UNDERLAYER
- 2- MATERIAL
- 2- CHRYSOCAL
  - 3- CUPRONICKEL (High current version)
- 3- APPLICABLE AWG
- 1- AWG #16 : INSULATOR DIAMETER 3.1MM MAX
  - 2- AWG #18-24 : INSULATOR DIAMETER 3.1MM MAX
  - 3- AWG #22-28 : INSULATOR DIAMETER 1.8MM MAX
- 4- LUBRICANT :
- 0- NONE
- 5-PRODUCT SPECIFICATION : GS-12-1377

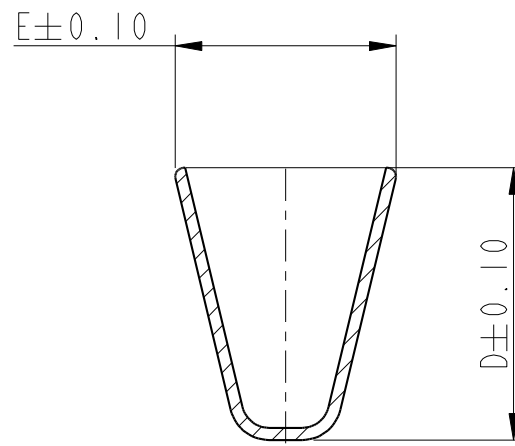


spec ref	-	dr	M Glass-adm	2017/07/11	projection	mm	size	A3	scale	8:1
tolerance std	ISO 406 ISO 1101	eng	J Dalibard	2018/02/13			ecn no	-	rel level	Released
TOLERANCES UNLESS OTHERWISE SPECIFIED		chr	Cyril Jeune	2018/02/13						
surface	linear	0.X	±0.4	appr	Aymeric Soudy	2018/02/13	product family	Minittek	rel level	Released
		0.XX	±0.30	<b>Amphenol FCI</b>		RECEPTACLE CRIMP TERMINAL MINITEK POWER 4.2		dwg no 10134170	rev A	
	angular	0°	±2°							cat. no.

PART NUMBER	DIM A	DIM B	DIM C	DIM D	DIM E	APPLICABLE WIRES
10134170-YX3XLF	1.35	1.70	1.85	2.40	2.40	AWG #22-28
10134170-YX2XLF	1.35	2.35	1.9	4.5	3.65	AWG #18-24
10134170-YX1XLF	1.35	2.75	2.35	4.5	3.65	AWG #16



SECTION B-B  
(AWG #16)



SECTION A-A  
(AWG #16)

spec ref	-	dr	M Glass-adm	2017/07/11	projection	mm	size	A3	scale	8:1
tolerance std	ISO 406 ISO 1101	eng	J Dalbard	2018/02/13			ecn no		-	
TOLERANCES UNLESS OTHERWISE SPECIFIED		chr	Cyril Jeune	2018/02/13			rel level		Released	
surface	ISO 1302	appr	Aymeric Soudy	2018/02/13	product family	Minittek	rel level		Released	
	linear	0.X	±0.4		RECEPTACLE CRIMP TERMINAL		dwg no		10134170	
		0.XX	±0.30		MINITEK POWER 4.2		rev		A	
	angular	0°	±2°		cat. no.		-		Product - Customer Drw	
							sheet 2 of 2			