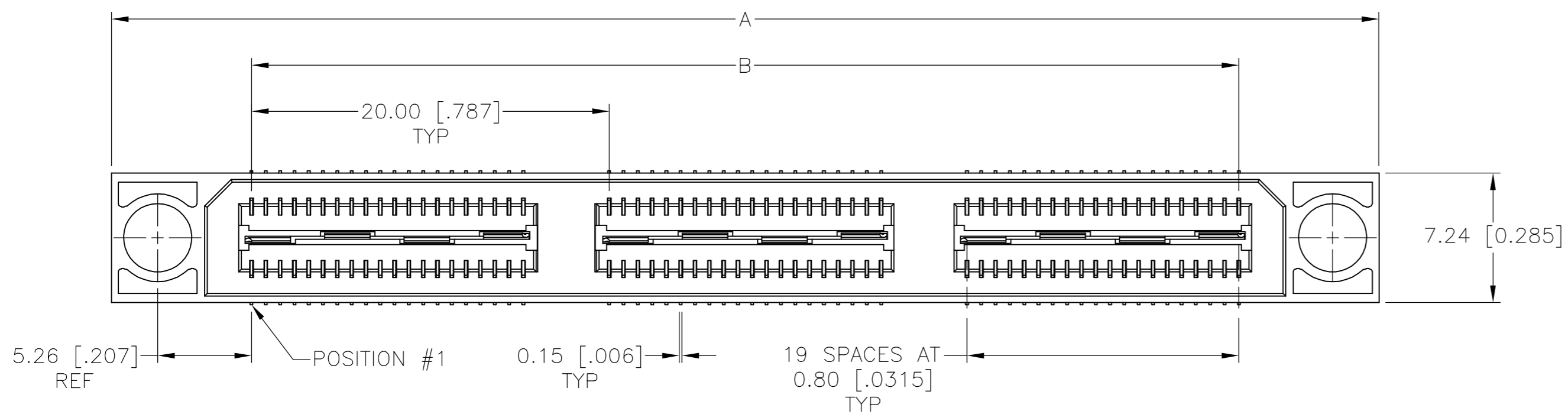
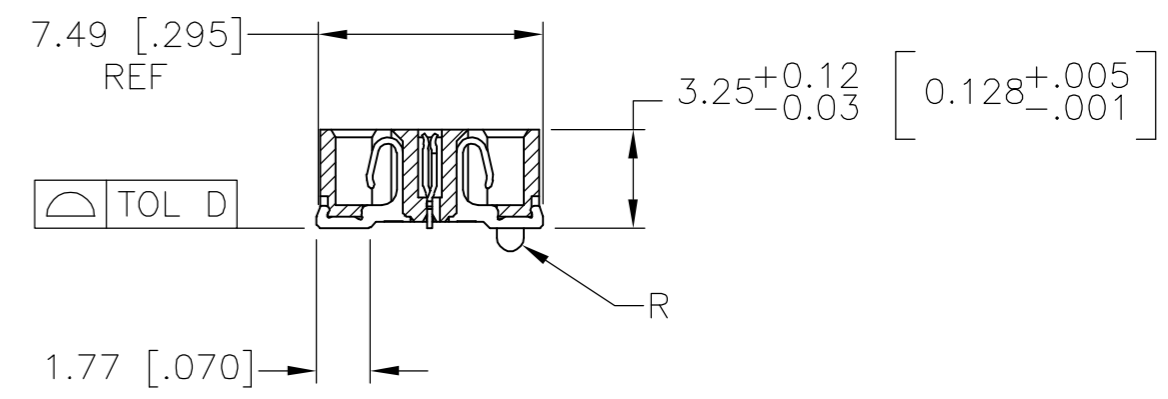
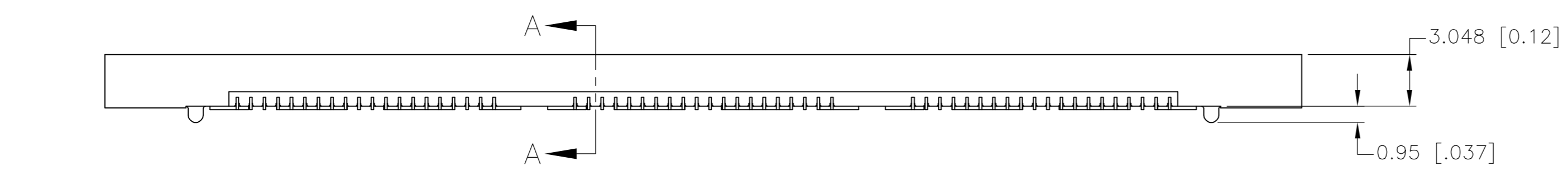


THIS DRAWING IS UNPUBLISHED. RELEASED FOR PUBLICATION
 © COPYRIGHT BY TYCO ELECTRONICS CORPORATION. ALL RIGHTS RESERVED.

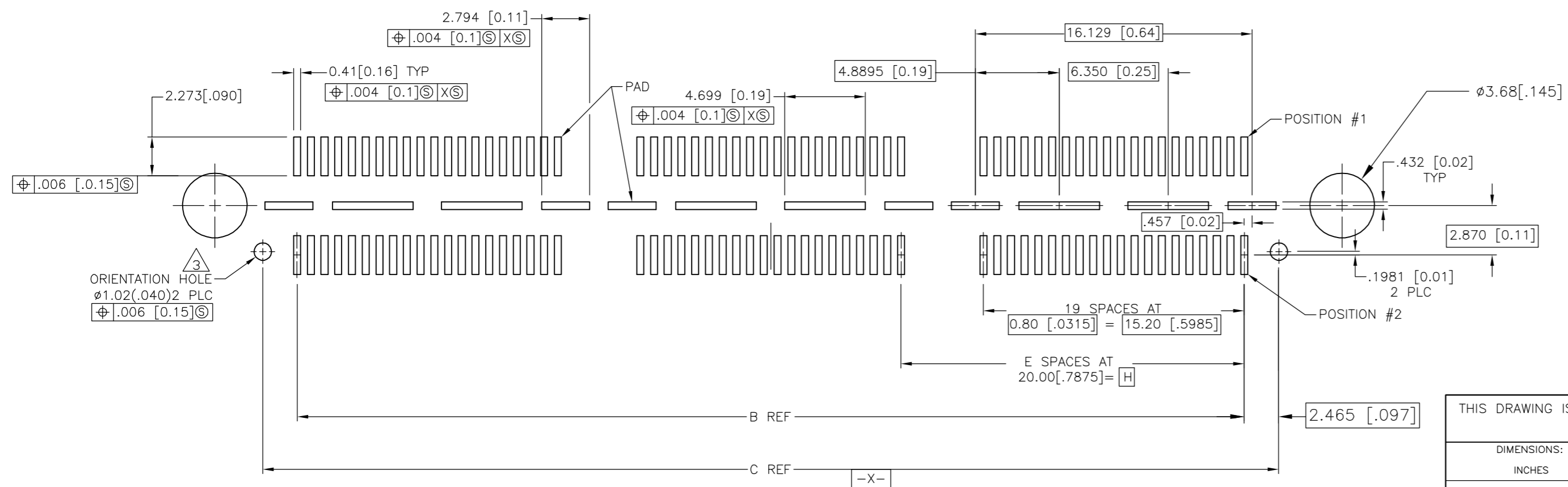
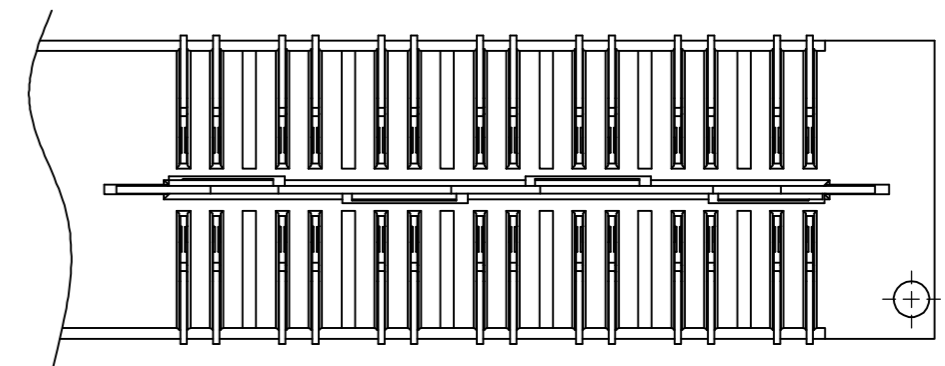
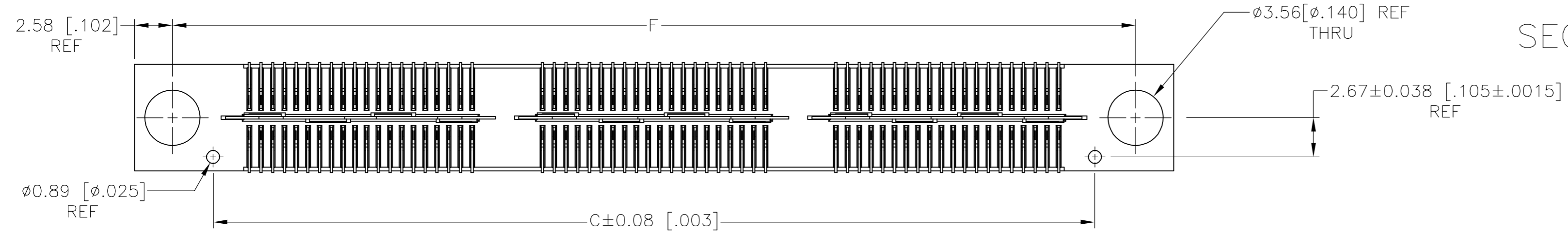
LOC		DIST		REVISIONS			
P	LTR	DESCRIPTION	DATE	DWN	APVD		
AD	00						
	K	REV PER EC 0512-0310-05	11OCT05	BC	DD		



- 1 HOUSING: LCP, BLACK.
CONTACT & GROUND PLANE: PHOS BRONZE.
- 2 CONTACT PLATING: SELECT 0.25 MICROMETERS (.00010) MIN. GOLD.
- 3 FOR STANDARD APPLICATIONS, ORIENTATION HOLE TO BE $\phi 1.02 [\phi .040]$.



SECTION A-A



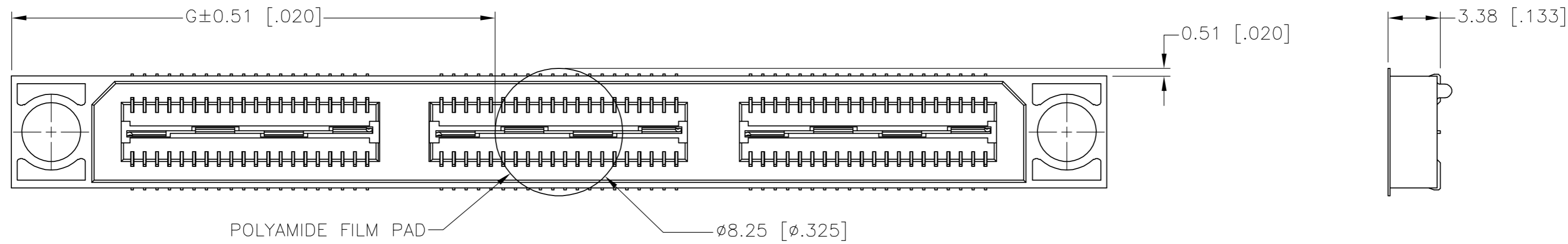
RECOMMENDED PC BOARD LAYOUT
(VIEWED FROM CONNECTOR SIDE)

THIS DRAWING IS A CONTROLLED DOCUMENT.		DWN B.CARBO 03MAR03	Tyco Electronics Corporation Harrisburg, PA 17105-3608	
DIMENSIONS: INCHES		CHK D.DIXON 03MAR03		
TOLERANCES UNLESS OTHERWISE SPECIFIED:		APVD D.DIXON 03MAR03	NAME RECEPTACLE ASSEMBLY, VERTICAL, 0.80MM CL, MICTOR SB	
0 PLC ± - 1 PLC ± 0.3 [.01] 2 PLC ± 0.13 [.005] 3 PLC ± 0.05 [.0020] 4 PLC ± - ANGLES ± 2° FINISH		APPLICATION SPEC	SIZE A2	CAGE CODE 00779
MATERIAL		WEIGHT	DRAWING NO C=1658062	RESTRICTED TO
1		CUSTOMER DRAWING	SCALE 4:1	SHEET 1 of 2
2			REV K	

1658062

THIS DRAWING IS UNPUBLISHED. RELEASED FOR PUBLICATION
 © COPYRIGHT BY TYCO ELECTRONICS CORPORATION. ALL RIGHTS RESERVED.

LOC	DIST	REVISIONS			
P	LTR	DESCRIPTION	DATE	DWN	APVD
AD	00	SEE SHEET 1	-	-	-



20.00(.7874)	21.32(.839)	45.72(1.800)	1	0.102(.0040)	40.13(1.580)	35.20(1.386)	50.90(2.004)	YES	POCKET TAPE	YES	56	7-1658062-2
0(.000)	11.32(.446)	25.72(1.013)	0	0.102(.0040)	20.13(.793)	15.20(.598)	30.90(1.217)	YES	POCKET TAPE	YES	28	7-1658062-1
20.00(.7874)	21.32(.839)	45.72(1.800)	1	0.102(.0040)	40.13(1.580)	35.20(1.386)	50.90(2.004)	YES	POCKET TAPE	NO	80	6-1658062-2
0(.000)	11.32(.446)	25.72(1.013)	0	0.102(.0040)	20.13(.793)	15.20(.598)	30.90(1.217)	YES	POCKET TAPE	NO	40	6-1658062-1
20.00(.7874)	-	45.72(1.800)	1	0.102(.0040)	40.13(1.580)	35.20(1.386)	50.90(2.004)	NO	POCKET TAPE	YES	56	5-1658062-2
0(.000)	-	25.72(1.013)	0	0.102(.0040)	20.13(.793)	15.20(.598)	30.90(1.217)	NO	POCKET TAPE	YES	28	5-1658062-1
20.00(.7874)	-	45.72(1.800)	1	0.102(.0040)	40.13(1.580)	35.20(1.386)	50.90(2.004)	NO	POCKET TAPE	NO	80	4-1658062-2
0(.000)	-	25.72(1.013)	0	0.102(.0040)	20.13(.793)	15.20(.598)	30.90(1.217)	NO	POCKET TAPE	NO	40	4-1658062-1
80.00(3.150)	51.32(2.020)	105.72(4.162)	4	0.152(.0060)	100.14(3.943)	95.20(3.748)	110.91(4.367)	YES	TRAY	YES	140	3-1658062-5
60.00(2.362)	41.32(1.627)	85.72(3.375)	3	0.152(.0060)	80.14(3.155)	75.20(2.961)	90.91(3.579)	YES	TRAY	YES	112	3-1658062-4
40.00(1.575)	31.32(1.233)	65.72(2.587)	2	0.152(.0060)	60.13(2.368)	55.20(2.173)	70.90(2.791)	YES	TRAY	YES	84	3-1658062-3
20.00(.7874)	21.32(.839)	45.72(1.800)	1	0.102(.0040)	40.13(1.580)	35.20(1.386)	50.90(2.004)	YES	TRAY	YES	56	3-1658062-2
0(.000)	11.32(.446)	25.72(1.013)	0	0.102(.0040)	20.13(.793)	15.20(.598)	30.90(1.217)	YES	TRAY	YES	28	3-1658062-1
80.00(3.150)	51.32(2.020)	105.72(4.162)	4	0.152(.0060)	100.14(3.943)	95.20(3.748)	110.91(4.367)	YES	TRAY	NO	200	2-1658062-5
60.00(2.362)	41.32(1.627)	85.72(3.375)	3	0.152(.0060)	80.14(3.155)	75.20(2.961)	90.91(3.579)	YES	TRAY	NO	160	2-1658062-4
40.00(1.575)	31.32(1.233)	65.72(2.587)	2	0.152(.0060)	60.13(2.368)	55.20(2.173)	70.90(2.791)	YES	TRAY	NO	120	2-1658062-3
20.00(.7874)	21.32(.839)	45.72(1.800)	1	0.102(.0040)	40.13(1.580)	35.20(1.386)	50.90(2.004)	YES	TRAY	NO	80	2-1658062-2
0(.000)	11.32(.446)	25.72(1.013)	0	0.102(.0040)	20.13(.793)	15.20(.598)	30.90(1.217)	YES	TRAY	NO	40	2-1658062-1
80.00(3.150)	-	105.72(4.162)	4	0.152(.0060)	100.14(3.943)	95.20(3.748)	110.91(4.367)	NO	TRAY	YES	140	1-1658062-5
60.00(2.362)	-	85.72(3.375)	3	0.152(.0060)	80.14(3.155)	75.20(2.961)	90.91(3.579)	NO	TRAY	YES	112	1-1658062-4
40.00(1.575)	-	65.72(2.587)	2	0.152(.0060)	60.13(2.368)	55.20(2.173)	70.90(2.791)	NO	TRAY	YES	84	1-1658062-3
20.00(.7874)	-	45.72(1.800)	1	0.102(.0040)	40.13(1.580)	35.20(1.386)	50.90(2.004)	NO	TRAY	YES	56	1-1658062-2
0(.000)	-	25.72(1.013)	0	0.102(.0040)	20.13(.793)	15.20(.598)	30.90(1.217)	NO	TRAY	YES	28	1-1658062-1
80.00(3.150)	-	105.72(4.162)	4	0.152(.0060)	100.14(3.943)	95.20(3.748)	110.91(4.367)	NO	TRAY	NO	200	1658062-5
60.00(2.362)	-	85.72(3.375)	3	0.152(.0060)	80.14(3.155)	75.20(2.961)	90.91(3.579)	NO	TRAY	NO	160	1658062-4
40.00(1.575)	-	65.72(2.587)	2	0.152(.0060)	60.13(2.368)	55.20(2.173)	70.90(2.791)	NO	TRAY	NO	120	1658062-3
20.00(.7874)	-	45.72(1.800)	1	0.102(.0040)	40.13(1.580)	35.20(1.386)	50.90(2.004)	NO	TRAY	NO	80	1658062-2
0(.000)	-	25.72(1.013)	0	0.102(.0040)	20.13(.793)	15.20(.598)	30.90(1.217)	NO	TRAY	NO	40	1658062-1
H	G	F	E	D	C	B	A	POLYIMIDE FILM PAD ▲	PACKAGING TYPE	DIFF. PAIR	NO OF POS	PART NUMBER

THIS DRAWING IS A CONTROLLED DOCUMENT.

DWN B.CARBO 03MAR03
 CHK D.DIXON 03MAR03
 APVD D.DIXON 03MAR03
 PRODUCT SPEC
 APPLICATION SPEC

tyco Electronics Tyco Electronics Corporation
 Harrisburg, PA 17105-3608

NAME RECEPTACLE ASSEMBLY, VERTICAL,
 0.80MM CL,
 MICTOR SB

SIZE A2 CAGE CODE 00779 DRAWING NO C=1658062 RESTRICTED TO -

MATERIAL SEE SHEET 1 FINISH SEE SHEET 1 WEIGHT - SCALE 4:1 SHEET 2 OF 2 REV K

CUSTOMER DRAWING