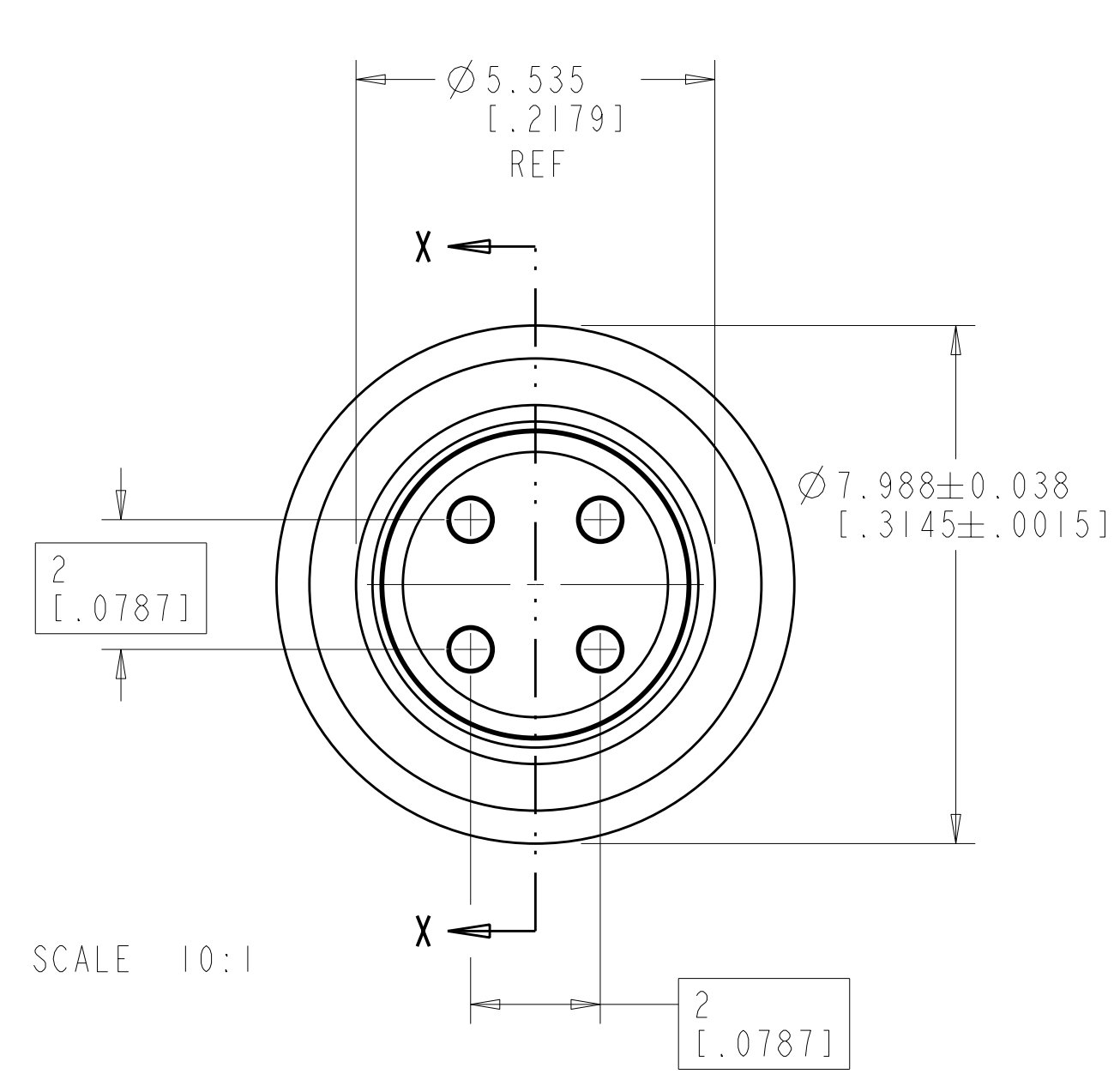
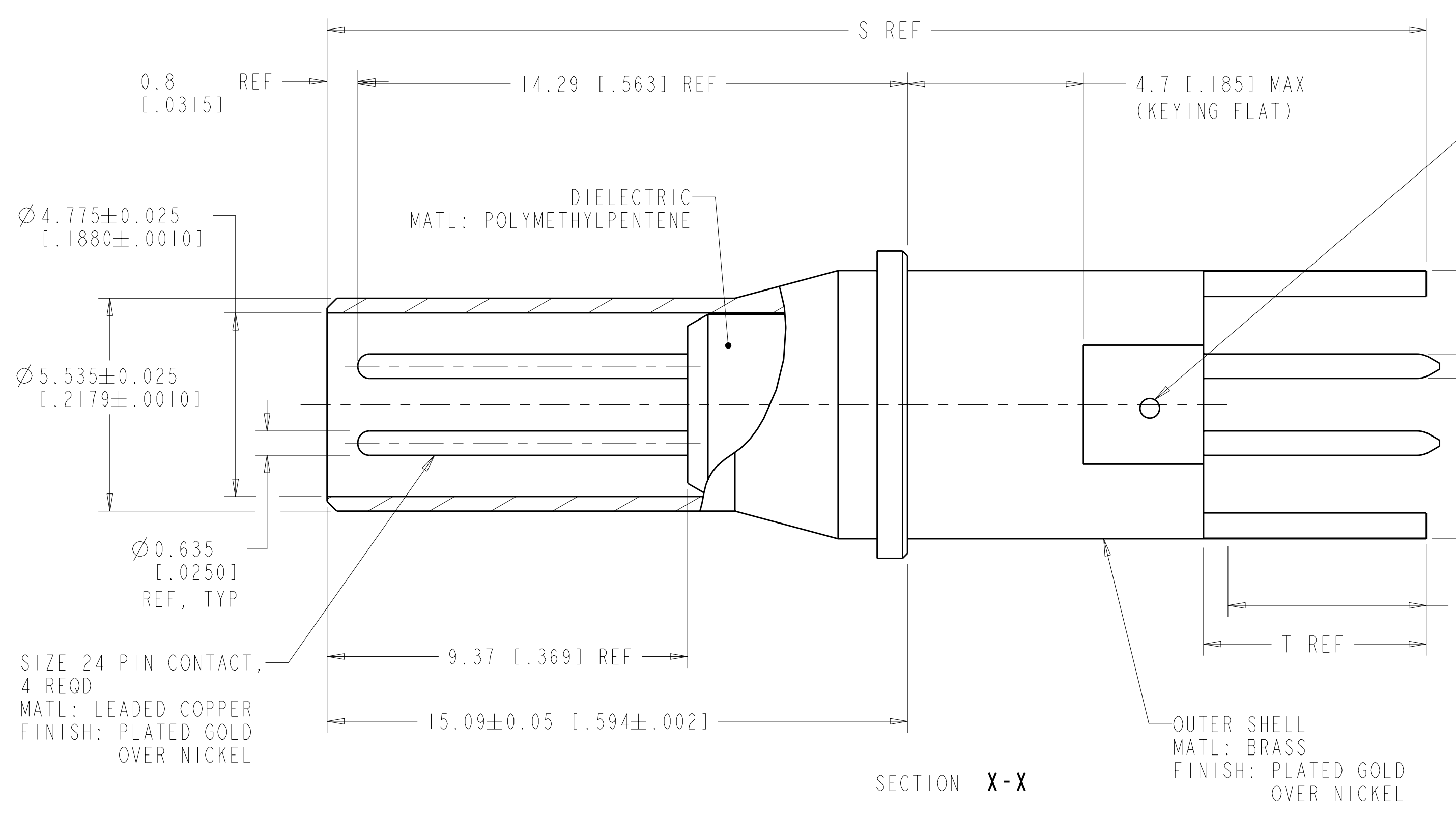


LOC	DIST	REV	DATE	BY	APPD
		K	2-7-12	CT	DM



SCALE 10:1

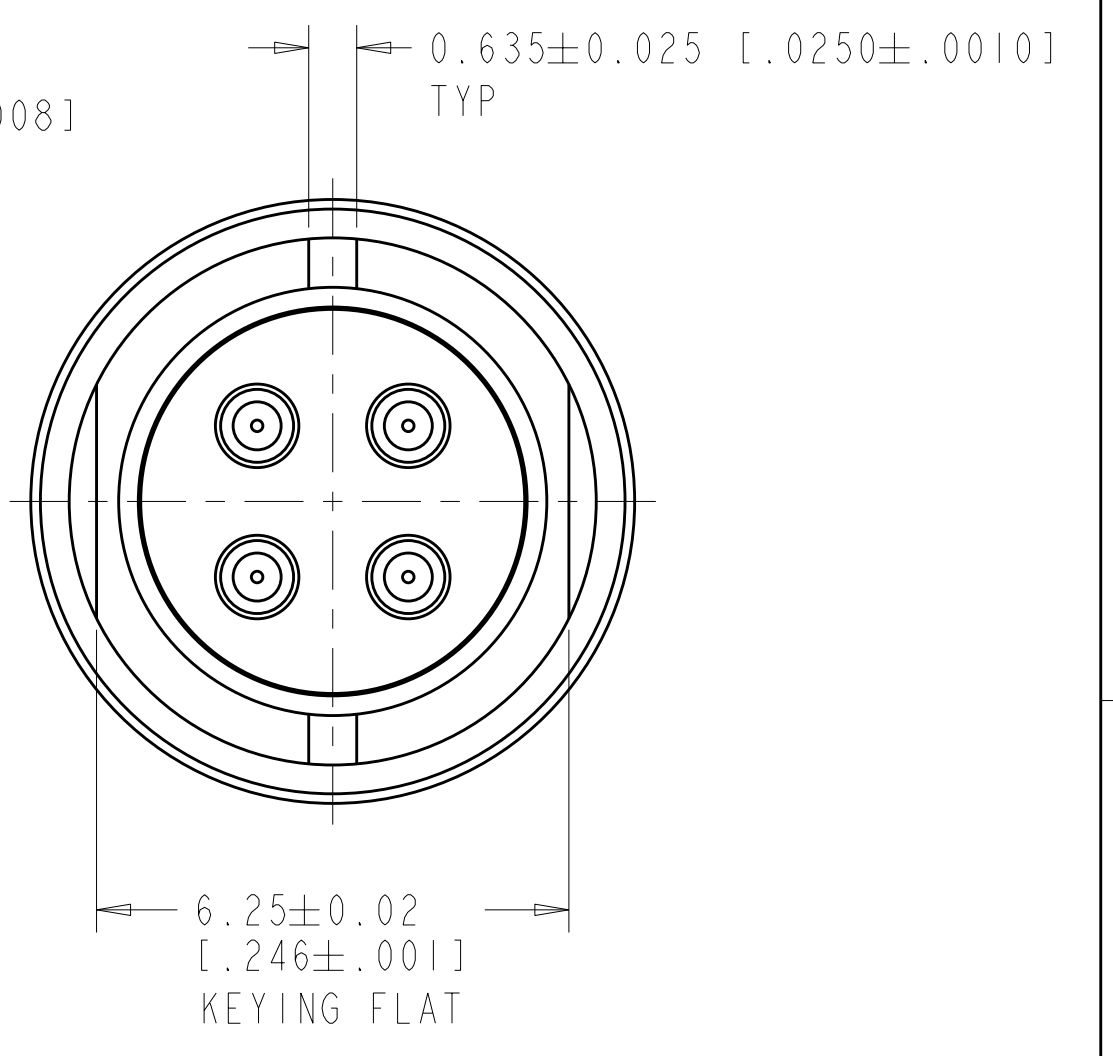


SHELL DIMPLED TO MAINTAIN POSITION OF DIELECTRIC IN ASSEMBLY

Ø 0.635±0.02 [.0250±.0008] 4 PLC

Ø 6.972^{+0.012}_{-0.025} [.2745^{+0.0005}_{-.0010}]

△△ (1445626-5, -6 & -8 ONLY)



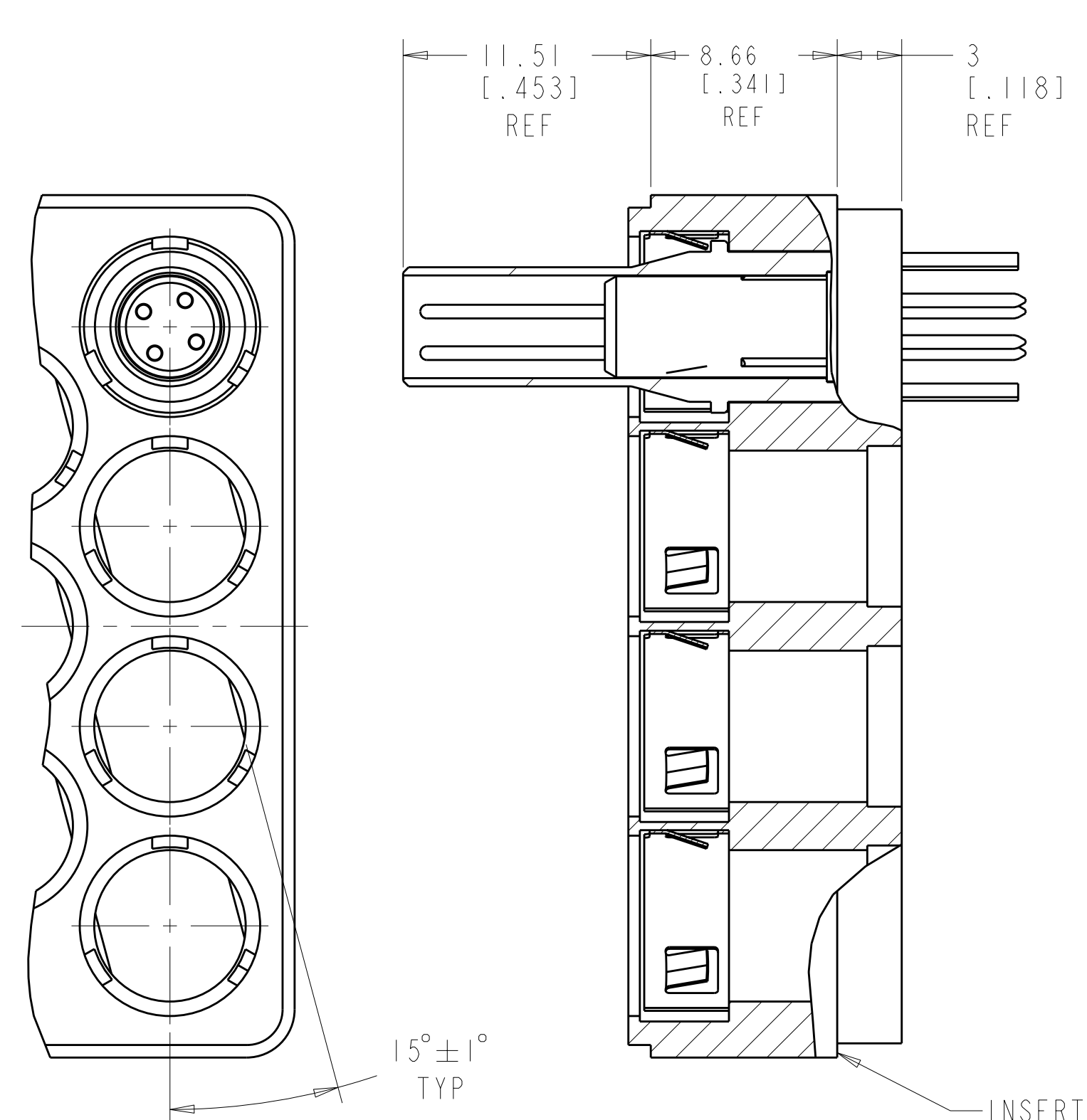
SECTION X-X

OUTER SHELL
MATL: BRASS
FINISH: PLATED GOLD OVER NICKEL

SIZE 24 PIN CONTACT,
4 REQD
MATL: LEADED COPPER
FINISH: PLATED GOLD OVER NICKEL

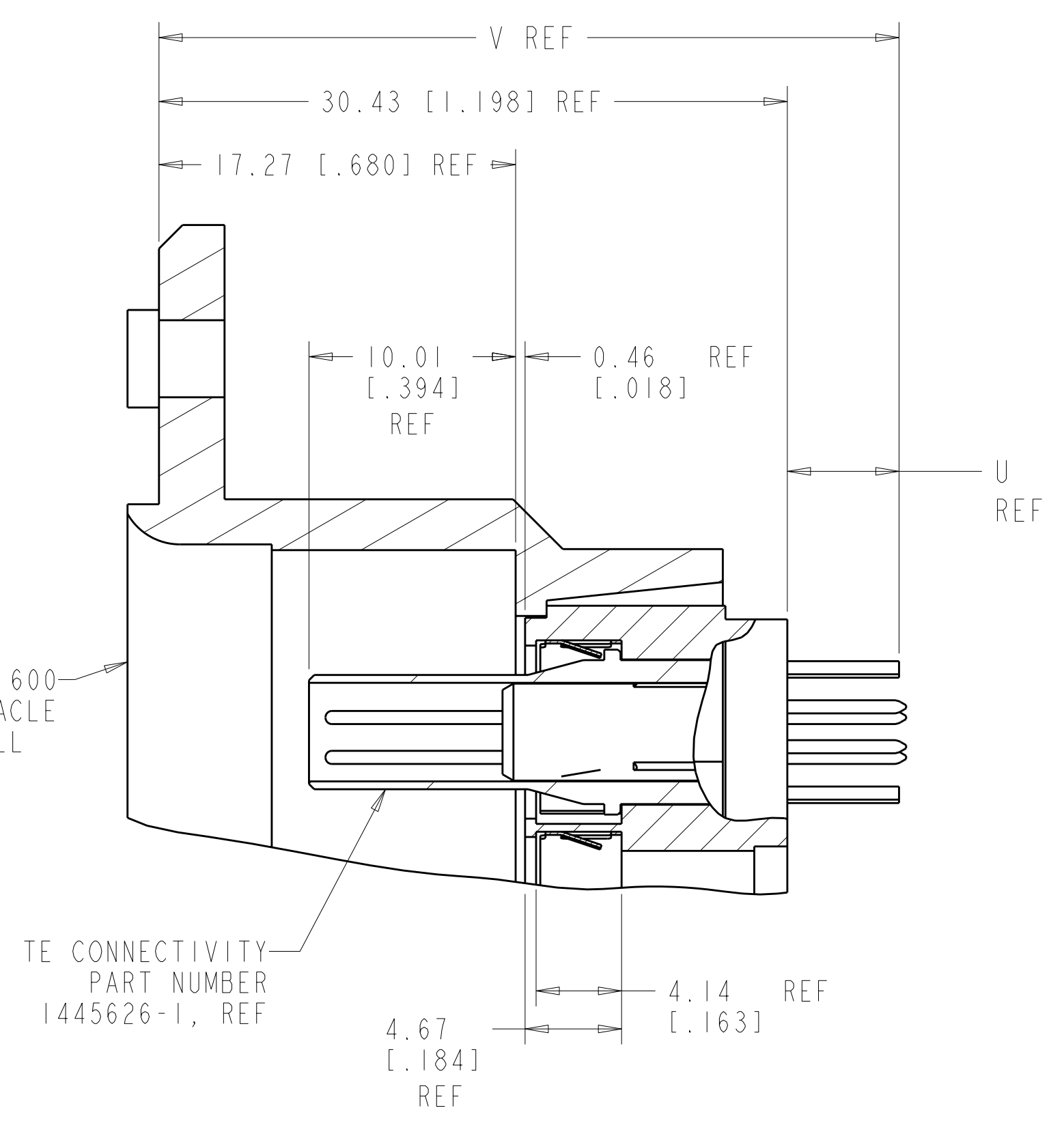
△ THIS AREA SOLDER DIPPED. SOLDER TAIL DIMENSIONS APPLY PRIOR TO SOLDER DIP.
△ SOLDER IS RoHS COMPLIANT Sn.

3. CHARACTERISTIC IMPEDANCE: 100 OHMS NOMINAL

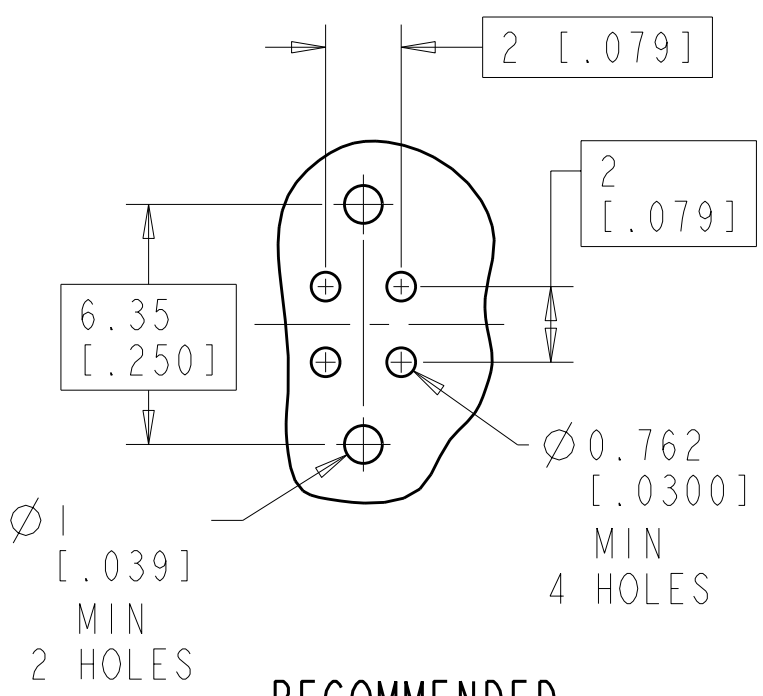


ARINC 600 RECEPTACLE SHELL

INSERT RETAINER PLATE BUTTS ON THIS SURFACE



TE CONNECTIVITY PART NUMBER 1445626-1, REF



RECOMMENDED P.C. BOARD LAYOUT (ROTATED 15° CCW FOR EASE OF DOCUMENTATION)

QUADRAx PIN ASSY, 1445626-1, SHOWN INSTALLED IN ARINC 664, SIZE 2 INSERT WITH SIZE 8, FRONT RELEASE, FRONT REMOVABLE CAVITY

V REF	U REF	T REF	S REF	DESCRIPTION	PART NO.
37.49 [1.476]	7.06 [1.278]	8.25 [1.325]	30.25 [1.191]	SAME AS 1445626-9 EXCEPT TAILS ARE SOLDER DIPPED △	1-1445626-0
37.49 [1.476]	7.06 [1.278]	8.25 [1.325]	30.25 [1.191]	SAME AS 1445626-1 EXCEPT WITH .278 SOLDER TAIL LENGTH	1445626-9
39.95 [1.573]	9.52 [1.375]	10.72 [1.422]	33.50 [1.319]	SAME AS 1445626-2 EXCEPT TAILS ARE SOLDER DIPPED △	1445626-8
35.84 [1.411]	5.41 [1.213]	5.79 [1.228]	28.58 [1.125]	SAME AS 1445626-1 EXCEPT TAILS ARE SOLDER DIPPED △	1445626-6
36.78 [1.448]	6.35 [1.250]	7.54 [1.297]	30.33 [1.194]	SAME AS 1445626-4 EXCEPT TAILS ARE SOLDER DIPPED △	1445626-5
36.78 [1.448]	6.35 [1.250]	7.54 [1.297]	30.33 [1.194]	SAME AS 1445626-1 EXCEPT WITH .250 SOLDER TAIL LENGTH	1445626-4
34.65 [1.364]	4.2 [1.166]	4.60 [1.181]	27.38 [1.078]	SAME AS 1445626-1 EXCEPT WITH .166 SOLDER TAIL LENGTH	1445626-3
39.95 [1.573]	9.52 [1.375]	10.72 [1.422]	33.50 [1.319]	SAME AS 1445626-1 EXCEPT WITH .375 SOLDER TAIL LENGTH	1445626-2
35.84 [1.411]	5.41 [1.213]	5.79 [1.228]	28.58 [1.125]	PER ARINC 664 STANDARD;	1445626-1

THIS DRAWING IS A CONTROLLED DOCUMENT.

APPROVED: W.H. BERNHART, DATE: JAN2004

DESIGNED: Brent D. Toth, DATE: JAN2004

NAME: ASSEMBLY, PIN, QUADRAx, 2mm SO, FRONT RELEASE-FRONT REMOVABLE, ADN, WITH PIN CONTACTS

PRODUCT SPEC: 114-13123

SIZE: A1, CAGE CODE: 00779, DRAWING NO: 1445626

SCALE: 3:2, SHEET: 1 OF 1, REV: K