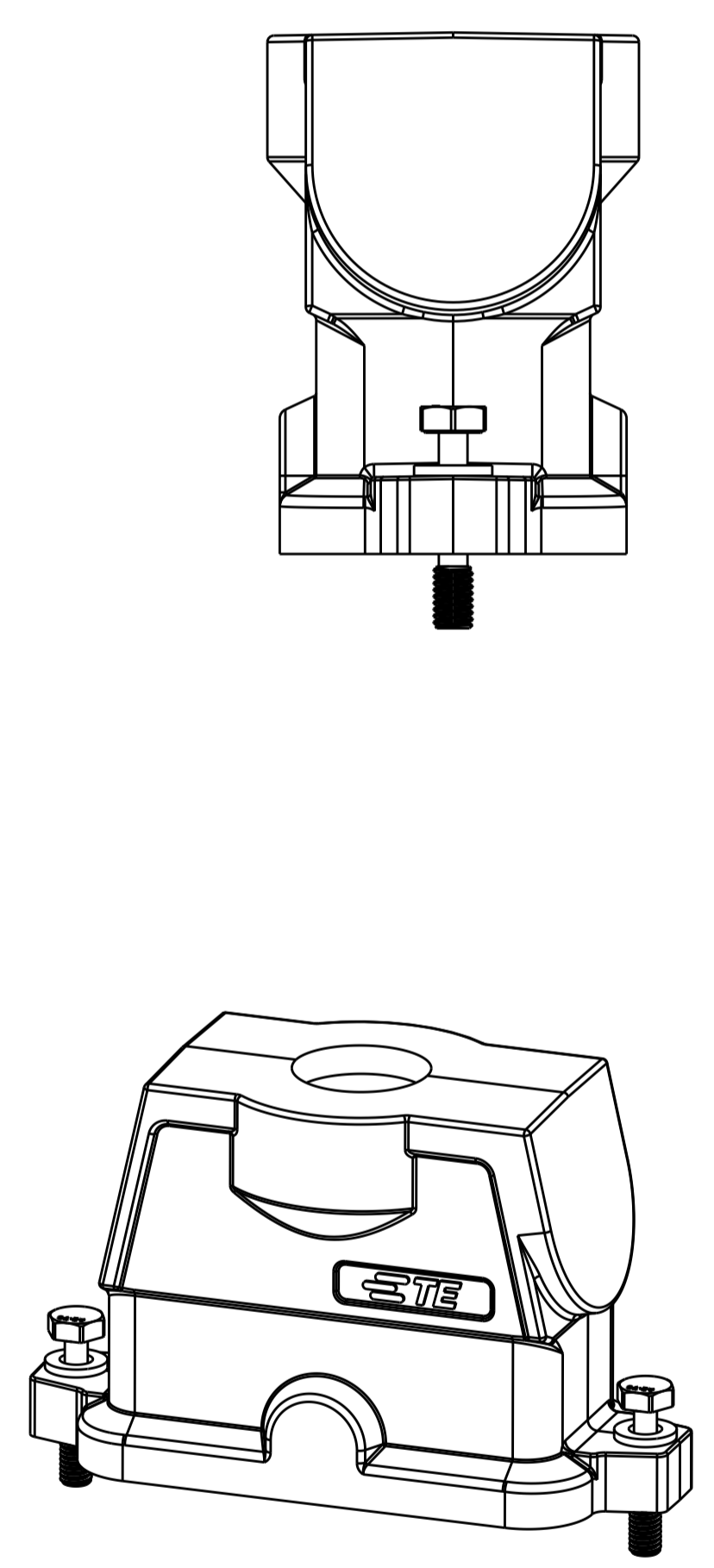
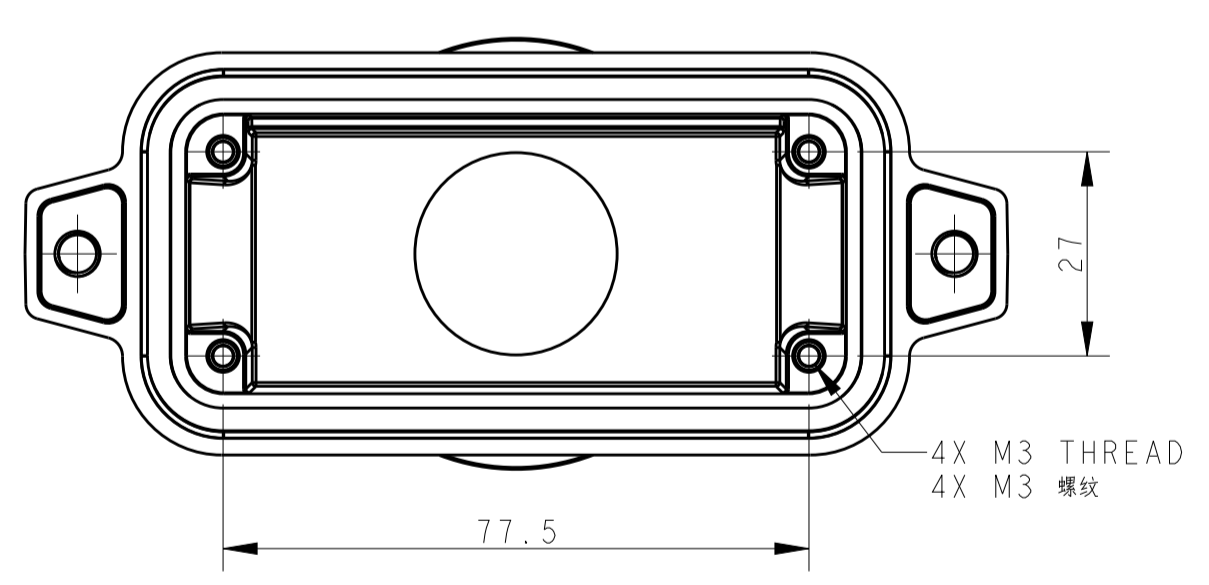
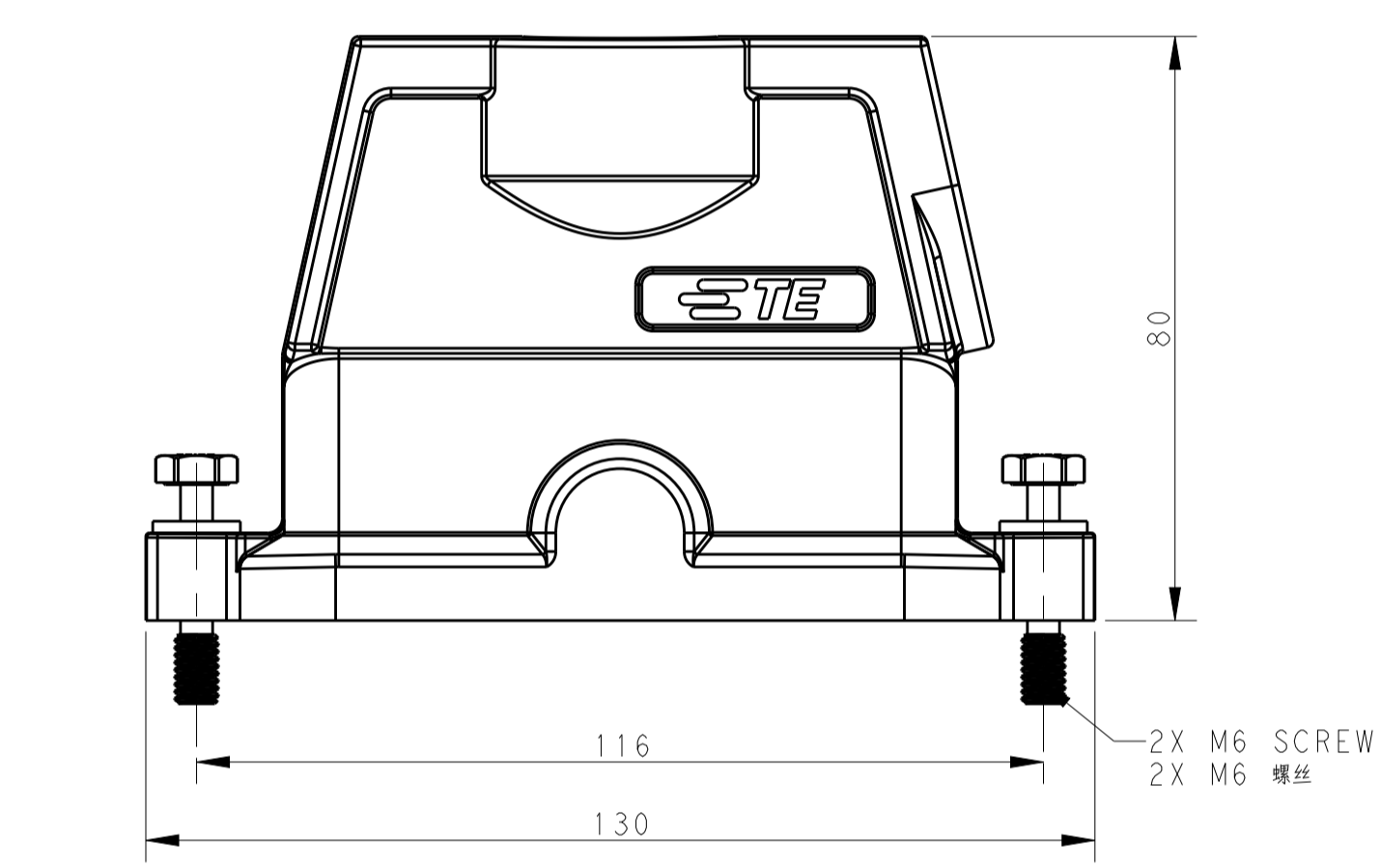


# TYPE 1 / 类型 1

Single PG/M thread  
一个进线孔

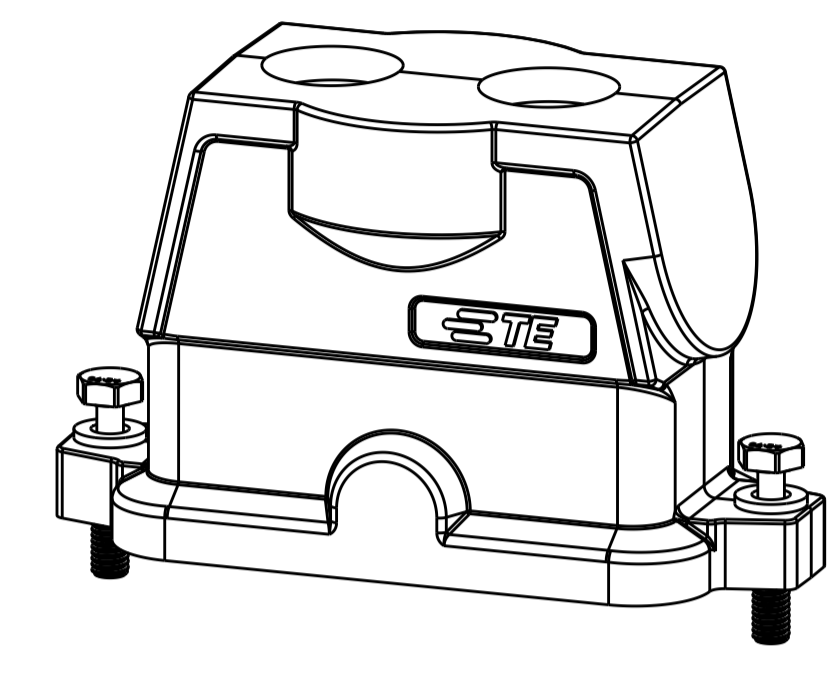
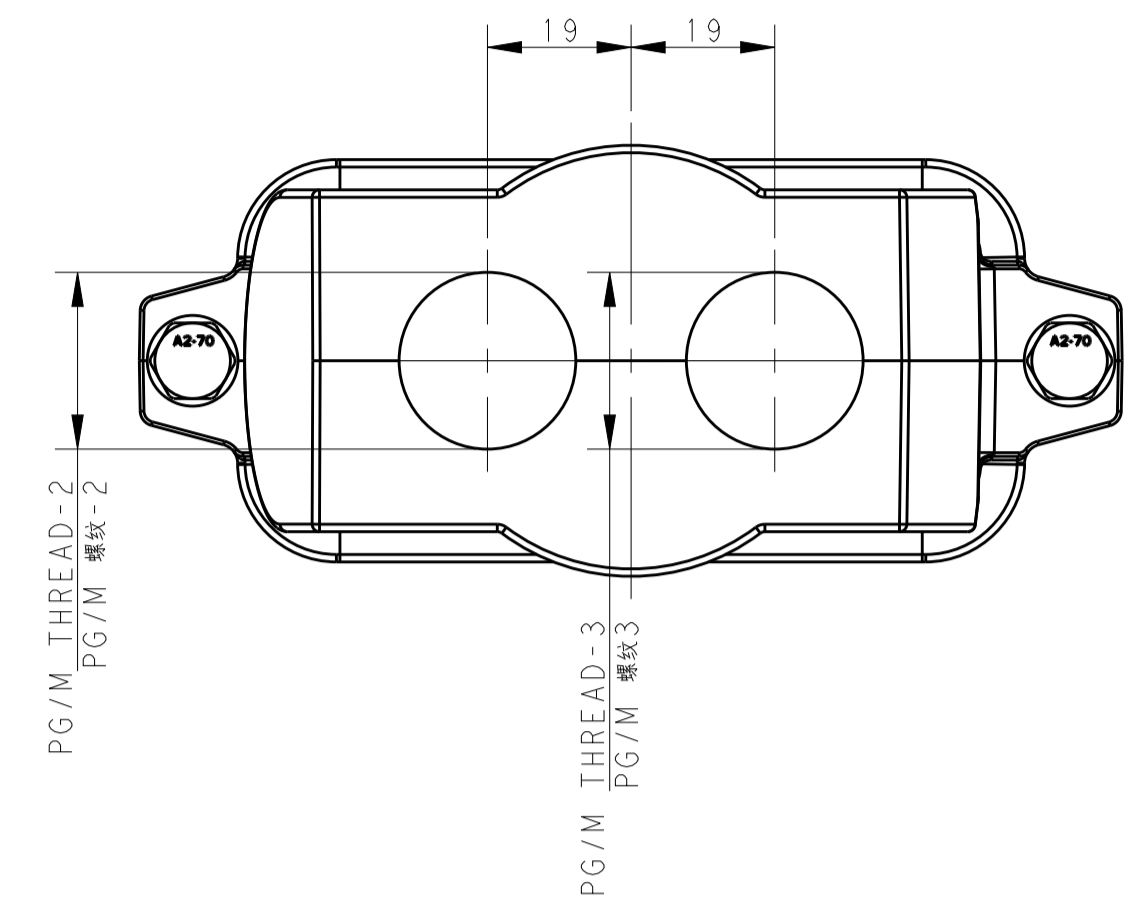


NOTES:  
1. TECHNICAL CHARACTERISTICS:  
HOOD MATERIAL: DIE CAST ALUMINIUM ALLOY  
SURFACE TREATMENT: SEE TABLE  
DEGREE OF PROTECTION: IP68 (MATED)

注释  
1. 技术参数:  
壳体材料: 铝合金  
表面处理: 见表格  
防护等级: IP68 (配合)

# TYPE 2 / 类型 2

Two PG/M threads  
两个进线孔

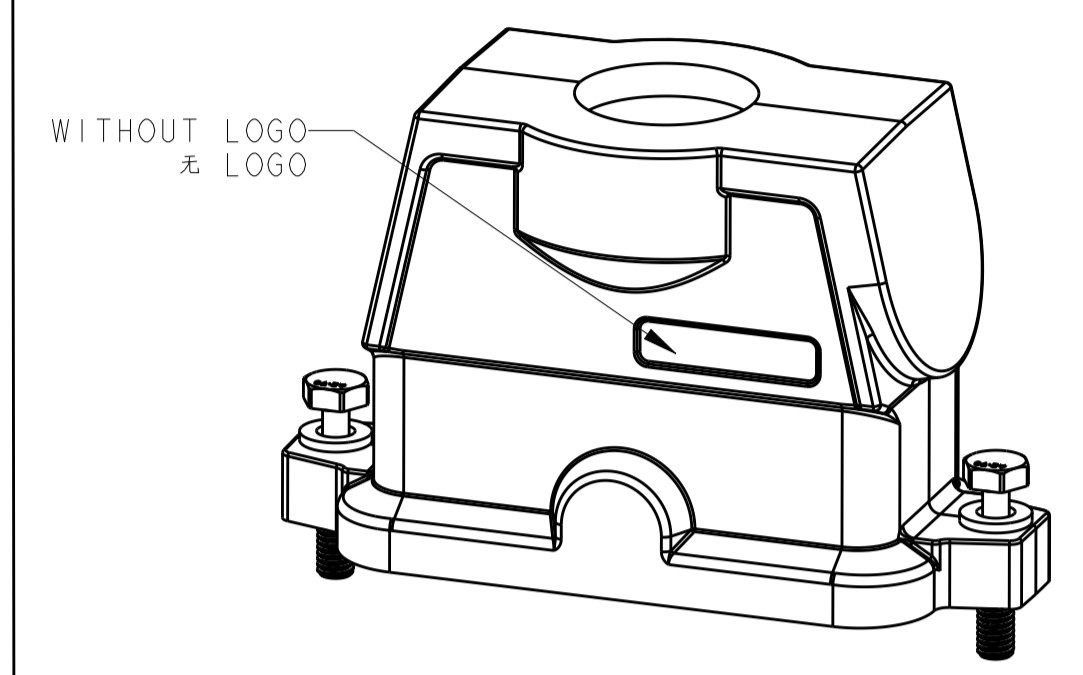


All dimension is same as TYPE 1, except those defined in this TYPE  
除了已定义的尺寸外, 其他尺寸参照类型 1

REVISIONS				
P.	LTN	DESCRIPTION	DATE	OWN APVD
A		INITIAL RELEASE	13JUN2015	GY CW
B		ECR-18-003733	31JUL2018	BS CW
B1		ECR-18-012802	11AUG2018	WOR CW
B2		ECR-18-009564	12SEP2018	CD CW

# TYPE 3 / 类型 3

Single PG/M thread  
一个进线孔



All dimension is same as TYPE 1, except those defined in this TYPE  
除了已定义的尺寸外, 其他尺寸参照类型 1

PART NUMBER	DESCRIPTION	PG/M THREAD-3	PG/M THREAD-2	PG/M THREAD-1	TYPE
T1922162140-001	HI6BPR-TGHC-M40 HI6BPR HOOD,CENTER LOCKING, TOP ENTRY M40, POWDER COATED, DEEP GREY, NO LOGO HI6BPR上壳, 中部锁定, 顶出M40, 深灰色粉末喷涂, 无LOGO	-	-	M40	TYPE 3 类型3
T1922162125-001	HI6BPR-TGHC-M25 HI6BPR HOOD,CENTER LOCKING, TOP ENTRY M25, POWDER COATED, DEEP GREY, NO LOGO HI6BPR上壳, 中部锁定, 顶出M25, 深灰色粉末喷涂, 无LOGO	-	-	M25	
T1922162150-001	HI6BPR-TGHC-M50 HI6BPR HOOD,CENTER LOCKING, TOP ENTRY M50, POWDER COATED, DEEP GREY, NO LOGO HI6BPR上壳, 中部锁定, 顶出M50, 深灰色粉末喷涂, 无LOGO	-	-	M50	
T1922162132-001	HI6BPR-TGHC-M32 HI6BPR HOOD,CENTER LOCKING, TOP ENTRY M32, POWDER COATED, DEEP GREY, NO LOGO HI6BPR上壳, 中部锁定, 顶出M32, 深灰色粉末喷涂, 无LOGO	-	-	M32	TYPE 2 类型2
T1922160225-000	HI6BPR-TGHC-2M25 HI6BPR HOOD,CENTER LOCKING, TOP ENTRY 2M25, POWDER COATED, BLACK HI6BPR上壳, 中部锁定, 顶出2M25, 黑色粉末喷涂	M25	M25	-	
T1922161140-000	HI6BPR-TGHC-M40 HI6BPR HOOD,CENTER LOCKING, TOP ENTRY M40, POWDER COATED, SILVER WHITE HI6BPR上壳, 中部锁定, 顶出M40, 银白色粉末喷涂	-	-	M40	
T1922161136-000	HI6BPR-TGHC-PG36 HI6BPR HOOD,CENTER LOCKING, TOP ENTRY PG36, POWDER COATED, SILVER WHITE HI6BPR上壳, 中部锁定, 顶出PG36, 银白色粉末喷涂	-	-	PG36	TYPE 1 类型1
T1922161132-000	HI6BPR-TGHC-M32 HI6BPR HOOD,CENTER LOCKING, TOP ENTRY M32, POWDER COATED, SILVER WHITE HI6BPR上壳, 中部锁定, 顶出M32, 银白色粉末喷涂	-	-	M32	
T1922161129-000	HI6BPR-TGHC-PG29 HI6BPR HOOD,CENTER LOCKING, TOP ENTRY PG29, POWDER COATED, SILVER WHITE HI6BPR上壳, 中部锁定, 顶出PG29, 银白色粉末喷涂	-	-	PG29	
T1922161125-000	HI6BPR-TGHC-M25 HI6BPR HOOD,CENTER LOCKING, TOP ENTRY M25, POWDER COATED, SILVER WHITE HI6BPR上壳, 中部锁定, 顶出M25, 银白色粉末喷涂	-	-	M25	TYPE 1 类型1
T1922161121-000	HI6BPR-TGHC-PG21 HI6BPR HOOD,CENTER LOCKING, TOP ENTRY PG21, POWDER COATED, SILVER WHITE HI6BPR上壳, 中部锁定, 顶出PG21, 银白色粉末喷涂	-	-	PG21	
T1922160140-000	HI6BPR-TGHC-M40 HI6BPR HOOD,CENTER LOCKING, TOP ENTRY M40, POWDER COATED, BLACK HI6BPR上壳, 中部锁定, 顶出M40, 黑色粉末喷涂	-	-	M40	
T1922160136-000	HI6BPR-TGHC-PG36 HI6BPR HOOD,CENTER LOCKING, TOP ENTRY PG36, POWDER COATED, BLACK HI6BPR上壳, 中部锁定, 顶出PG36, 黑色粉末喷涂	-	-	PG36	TYPE 1 类型1
T1922160132-000	HI6BPR-TGHC-M32 HI6BPR HOOD,CENTER LOCKING, TOP ENTRY M32, POWDER COATED, BLACK HI6BPR上壳, 中部锁定, 顶出M32, 黑色粉末喷涂	-	-	M32	
T1922160129-000	HI6BPR-TGHC-PG29 HI6BPR HOOD,CENTER LOCKING, TOP ENTRY PG29, POWDER COATED, BLACK HI6BPR上壳, 中部锁定, 顶出PG29, 黑色粉末喷涂	-	-	PG29	
T1922160125-000	HI6BPR-TGHC-M25 HI6BPR HOOD,CENTER LOCKING, TOP ENTRY M25, POWDER COATED, BLACK HI6BPR上壳, 中部锁定, 顶出M25, 黑色粉末喷涂	-	-	M25	TYPE 1 类型1
T1922160121-000	HI6BPR-TGHC-PG21 HI6BPR HOOD,CENTER LOCKING, TOP ENTRY PG21, POWDER COATED, BLACK HI6BPR上壳, 中部锁定, 顶出PG21, 黑色粉末喷涂	-	-	PG21	

THIS DRAWING IS A CONTROLLED DOCUMENT.

OWN: Gino\_Yao 13JUN2015  
CHK: Chris\_Wong 13JUN2015  
APVD: Xiang\_yu 13JUN2015

PRODUCT SPEC: 108-137014  
APPLICATION SPEC: 114-137014

WEIGHT: -  
SCALE: 1:1

CUSTOMER DRAWING

STE TE Connectivity

NAME: HI6BPR-TGHC-PG/M

SIZE: A1  
CAGE CODE: -  
DRAWING NO: C=T192216XXXX00

RESTRICTED TO: B2