

TYPE 1 / 类型 1

Single PG/M thread
一个进线孔



NOTES:
1. TECHNICAL CHARACTERISTICS:
HOOD MATERIAL: DIE CAST ALUMINIUM ALLOY
SURFACE TREATMENT: SEE TABLE
DEGREE OF PROTECTION: IP68 (MATED)

注释
1. 技术参数:
壳体材料: 铝合金
表面处理: 见表格
防护等级: IP68 (配合)

TYPE 2 / 类型 2

Two PG/M threads
两个进线孔

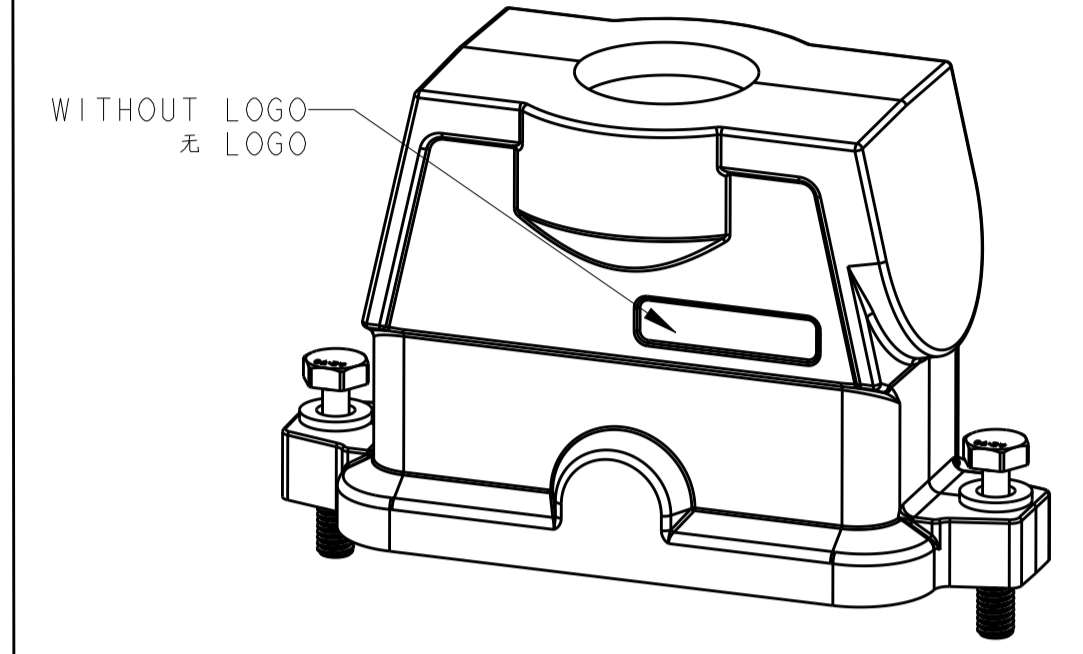


All dimension is same as TYPE 1, except those defined in this TYPE
除了已定义的尺寸外, 其他尺寸参照类型 1

REVISIONS				
P	LTN	DESCRIPTION	DATE	OWN APVD
A		INITIAL RELEASE	13JUN2015	GY CW
B		ECR-18-003733	31JUL2018	BS CW
B1		ECR-18-012802	11AUG2018	WOR CW
B2		ECR-18-009564	12SEP2018	CD CW

TYPE 3 / 类型 3

Single PG/M thread
一个进线孔



All dimension is same as TYPE 1, except those defined in this TYPE
除了已定义的尺寸外, 其他尺寸参照类型 1

PART NUMBER	DESCRIPTION	PG/M THREAD-3	PG/M THREAD-2	PG/M THREAD-1	TYPE
T1922162140-001	HI6BPR-HOOD,CENTER LOCKING, TOP ENTRY M40, POWDER COATED, DEEP GREY, NO LOGO	-	-	M40	TYPE 3 类型3
T1922162125-001	HI6BPR-HOOD,CENTER LOCKING, TOP ENTRY M25, POWDER COATED, DEEP GREY, NO LOGO	-	-	M25	
T1922162150-001	HI6BPR-HOOD,CENTER LOCKING, TOP ENTRY M50, POWDER COATED, DEEP GREY, NO LOGO	-	-	M50	
T1922162132-001	HI6BPR-HOOD,CENTER LOCKING, TOP ENTRY M32, POWDER COATED, DEEP GREY, NO LOGO	-	-	M32	TYPE 2 类型2
T1922160225-000	HI6BPR-HOOD,CENTER LOCKING, TOP ENTRY 2M25, POWDER COATED, BLACK	M25	M25	-	
T1922161140-000	HI6BPR-HOOD,CENTER LOCKING, TOP ENTRY M40, POWDER COATED, SILVER WHITE	-	-	M40	
T1922161136-000	HI6BPR-HOOD,CENTER LOCKING, TOP ENTRY PG36, POWDER COATED, SILVER WHITE	-	-	PG36	TYPE 1 类型1
T1922161132-000	HI6BPR-HOOD,CENTER LOCKING, TOP ENTRY M32, POWDER COATED, SILVER WHITE	-	-	M32	
T1922161129-000	HI6BPR-HOOD,CENTER LOCKING, TOP ENTRY PG29, POWDER COATED, SILVER WHITE	-	-	PG29	
T1922161125-000	HI6BPR-HOOD,CENTER LOCKING, TOP ENTRY M25, POWDER COATED, SILVER WHITE	-	-	M25	TYPE 1 类型1
T1922161121-000	HI6BPR-HOOD,CENTER LOCKING, TOP ENTRY PG21, POWDER COATED, SILVER WHITE	-	-	PG21	
T1922160140-000	HI6BPR-HOOD,CENTER LOCKING, TOP ENTRY M40, POWDER COATED, BLACK	-	-	M40	
T1922160136-000	HI6BPR-HOOD,CENTER LOCKING, TOP ENTRY PG36, POWDER COATED, BLACK	-	-	PG36	TYPE 1 类型1
T1922160132-000	HI6BPR-HOOD,CENTER LOCKING, TOP ENTRY M32, POWDER COATED, BLACK	-	-	M32	
T1922160129-000	HI6BPR-HOOD,CENTER LOCKING, TOP ENTRY PG29, POWDER COATED, BLACK	-	-	PG29	
T1922160125-000	HI6BPR-HOOD,CENTER LOCKING, TOP ENTRY M25, POWDER COATED, BLACK	-	-	M25	TYPE 1 类型1
T1922160121-000	HI6BPR-HOOD,CENTER LOCKING, TOP ENTRY PG21, POWDER COATED, BLACK	-	-	PG21	

THIS DRAWING IS A CONTROLLED DOCUMENT.

OWN: Gino_Yao 13JUN2015
CHK: Chris_Wong 13JUN2015
APVD: Xiang_yu 13JUN2015

PRODUCT SPEC: 108-137014
APPLICATION SPEC: 114-137014

WEIGHT: -
SCALE: 1:1
SHEET 1 OF 1
REV: B2

STE TE Connectivity
NAME: HI6BPR-TGHC-PG/M

CUSTOMER DRAWING