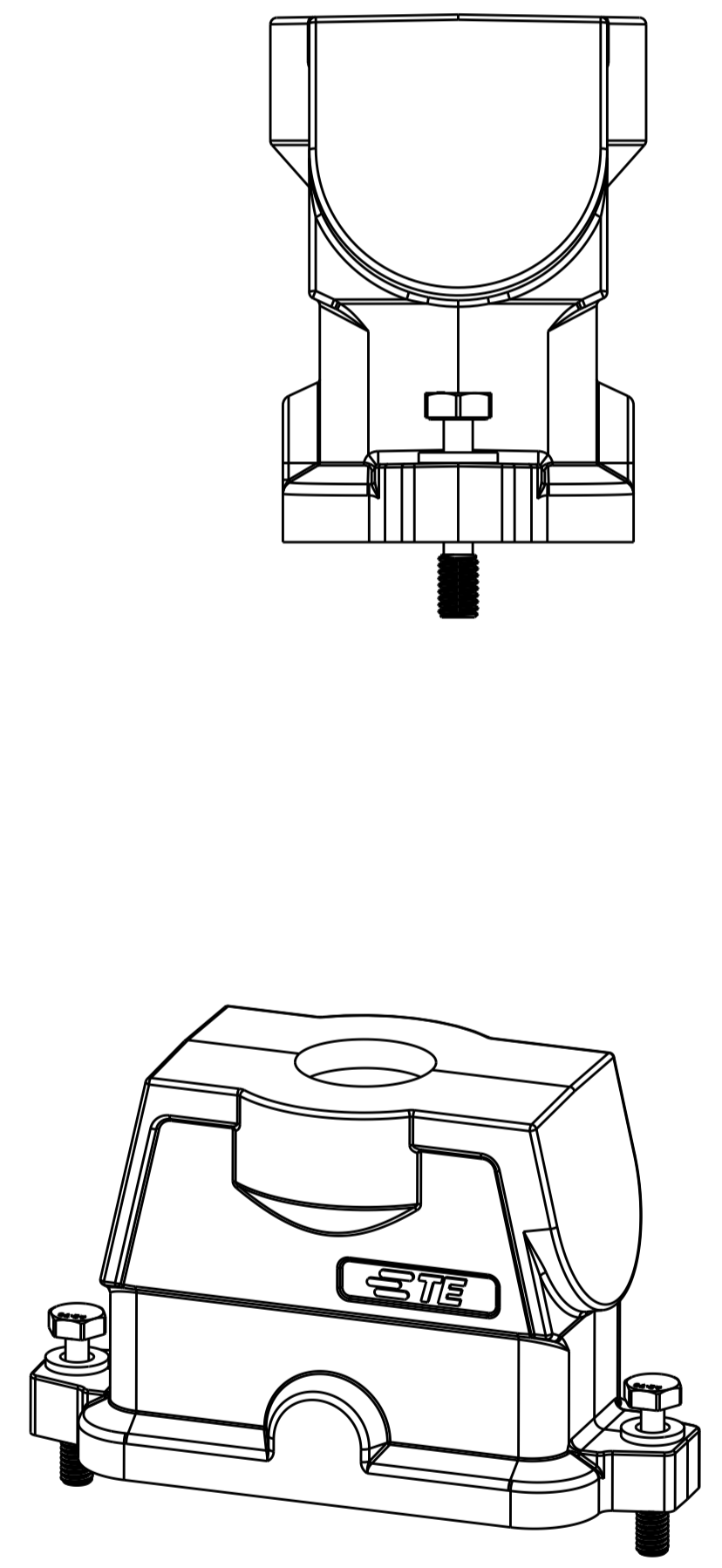
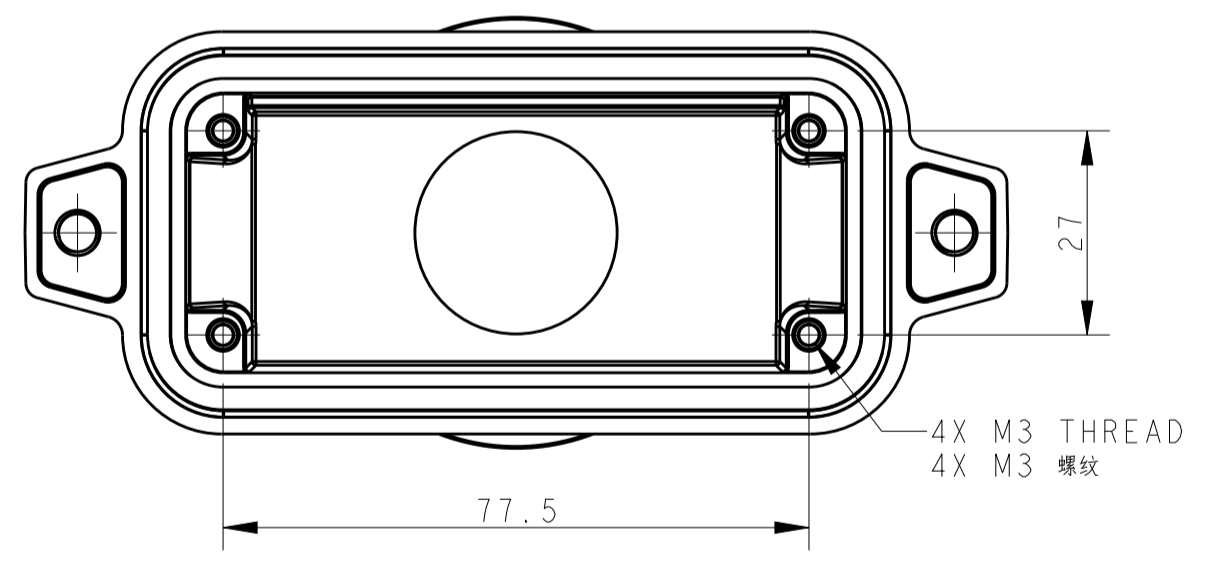
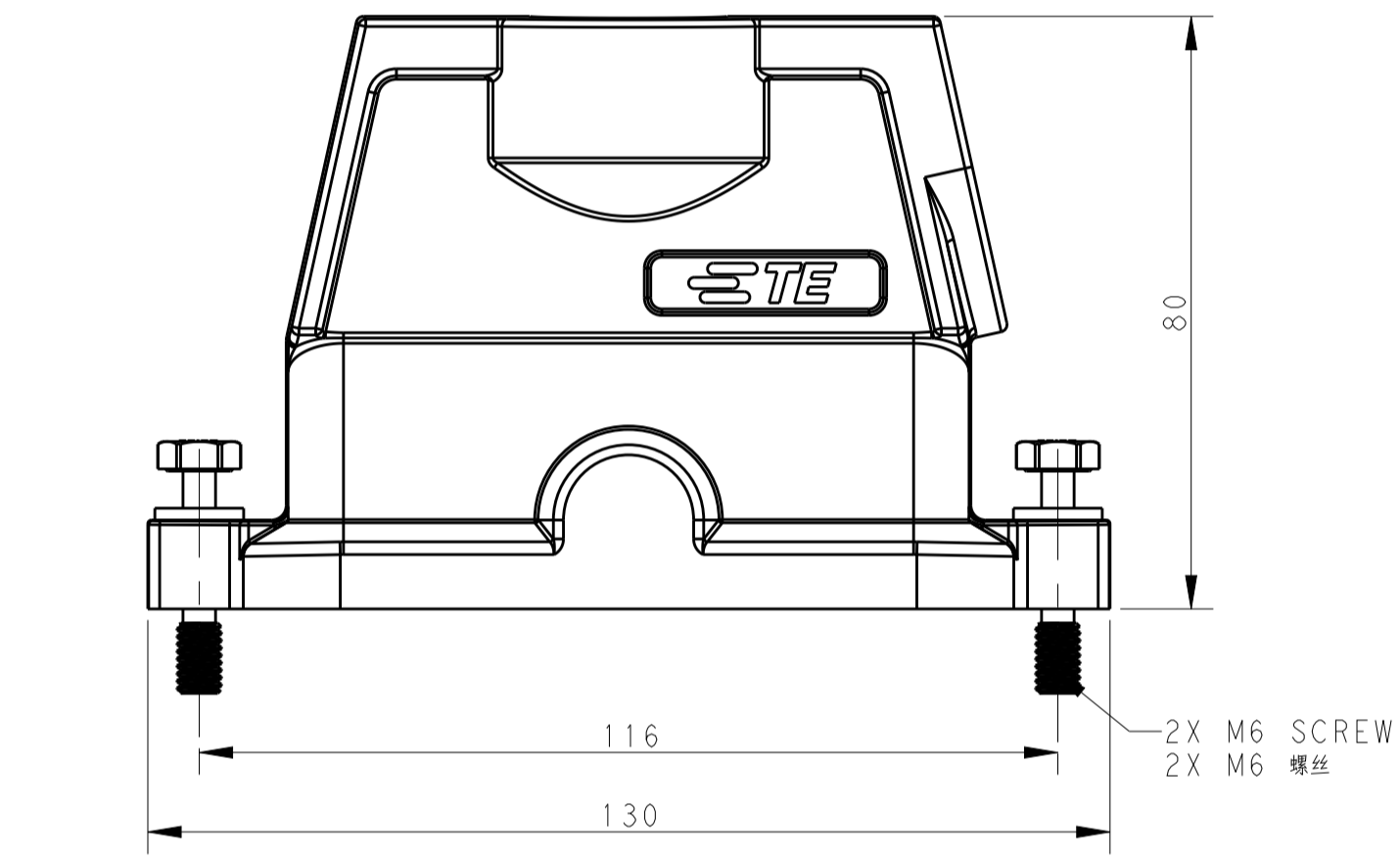
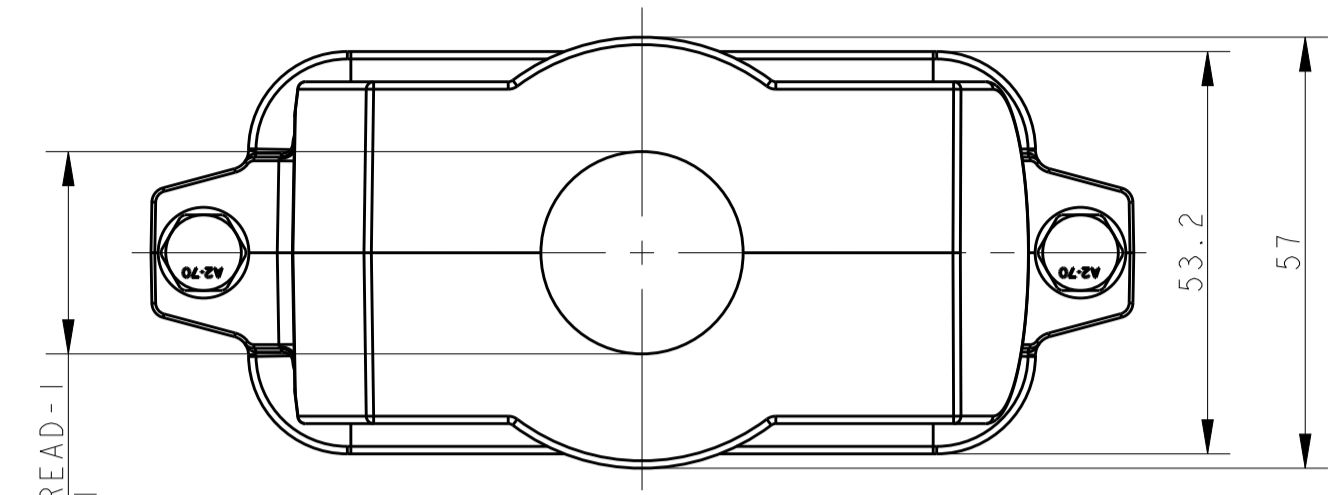


TYPE 1 / 类型 1

Single PG/M thread
一个进线孔

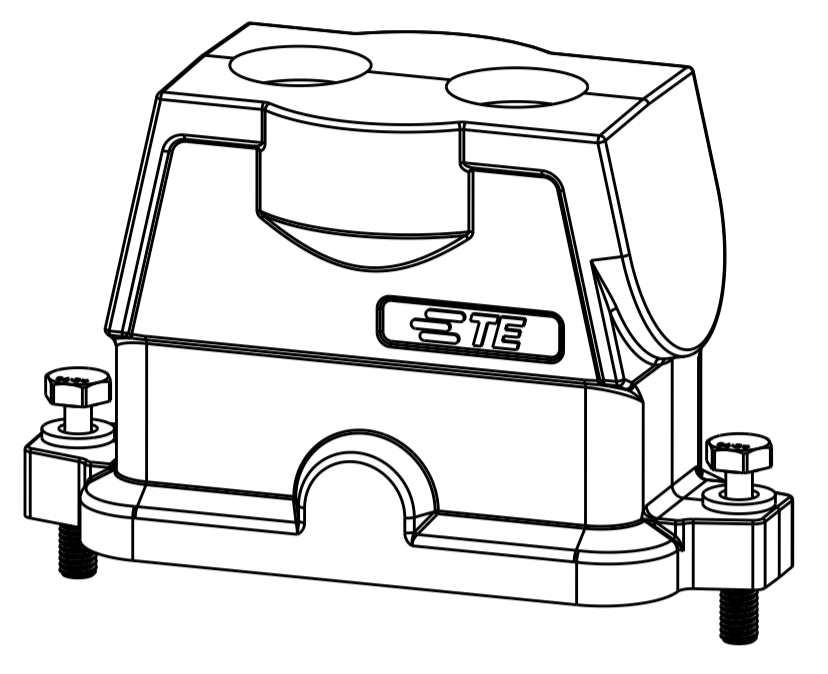
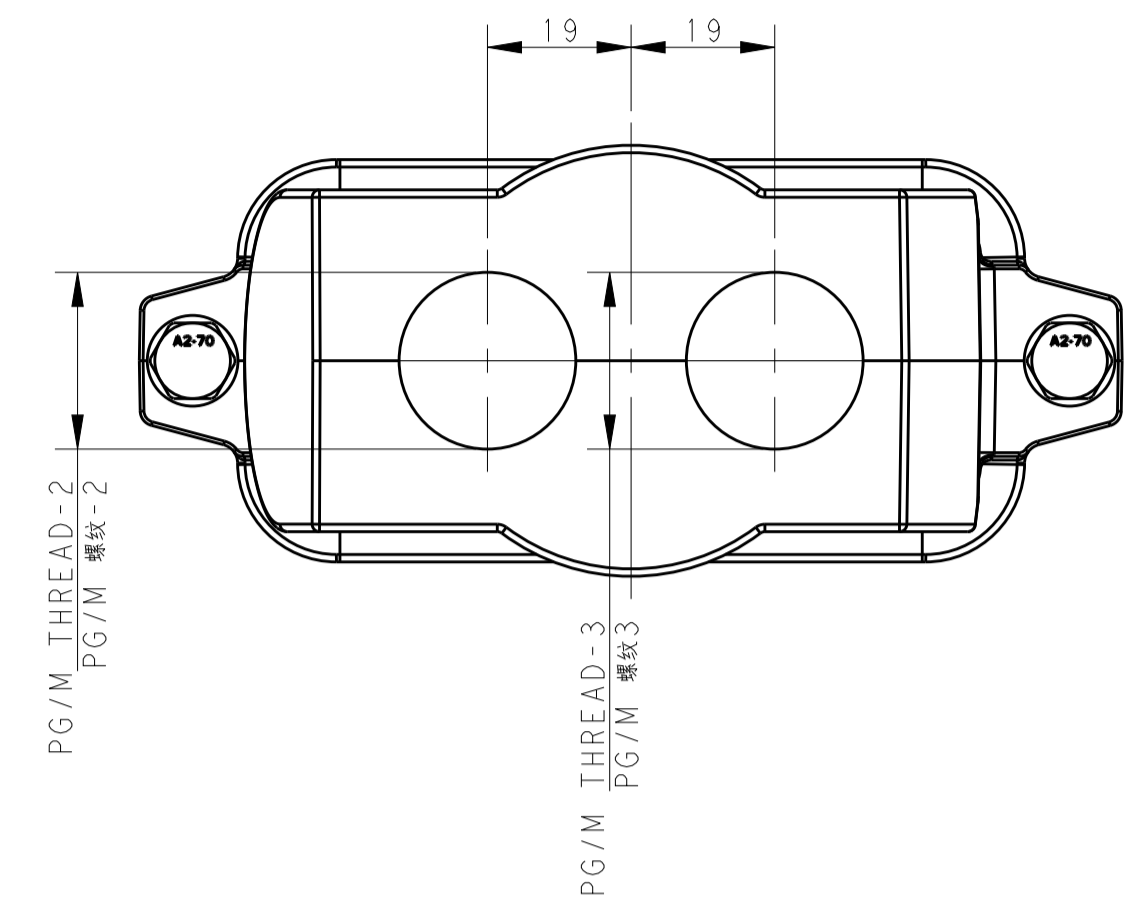


NOTES:
1. TECHNICAL CHARACTERISTICS:
HOOD MATERIAL: DIE CAST ALUMINIUM ALLOY
SURFACE TREATMENT: SEE TABLE
DEGREE OF PROTECTION: IP68 (MATED)

注释
1. 技术参数:
壳体材料: 铝合金
表面处理: 见表格
防护等级: IP68 (配合)

TYPE 2 / 类型 2

Two PG/M threads
两个进线孔

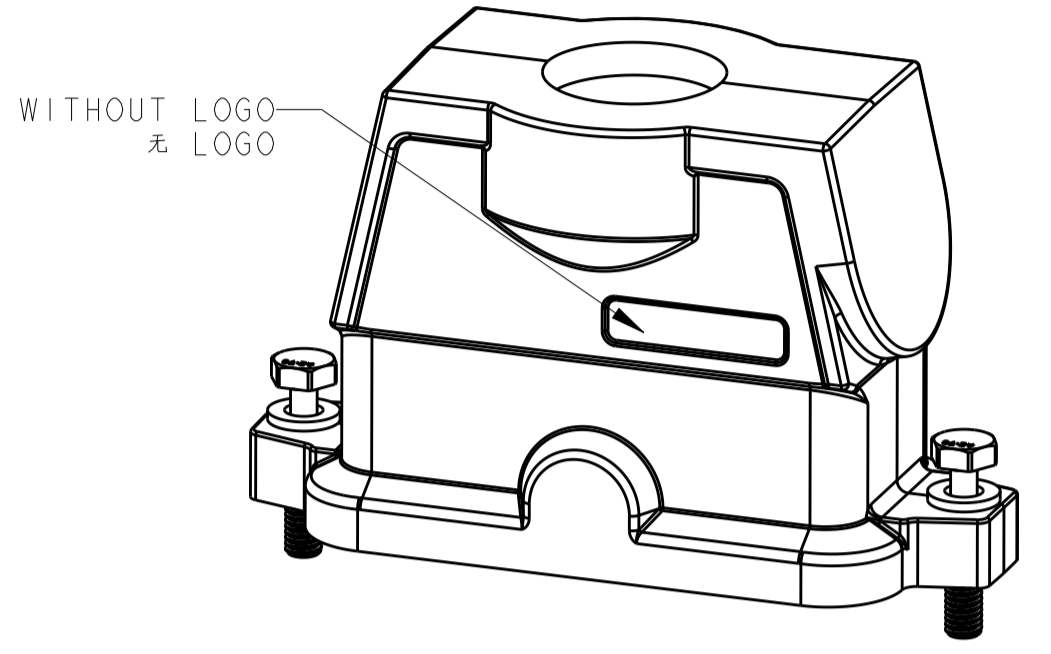


All dimension is same as TYPE 1, except those defined in this TYPE
除了已定义的尺寸外, 其他尺寸参照类型 1

| REVISIONS | | | | |
|-----------|-----|-----------------|-----------|----------|
| P | LTN | DESCRIPTION | DATE | OWN APVD |
| A | | INITIAL RELEASE | 13JUN2015 | GY CW |
| B | | ECR-18-003733 | 31JUL2018 | BS CW |
| B1 | | ECR-18-012802 | 11AUG2018 | WOR CW |
| B2 | | ECR-18-009564 | 12SEP2018 | CD CW |

TYPE 3 / 类型 3

Single PG/M thread
一个进线孔



All dimension is same as TYPE 1, except those defined in this TYPE
除了已定义的尺寸外, 其他尺寸参照类型 1

| PART NUMBER | DESCRIPTION | PG/M THREAD-3 | PG/M THREAD-2 | PG/M THREAD-1 | TYPE |
|-----------------|--|---------------|---------------|---------------|---------------|
| T1922162140-001 | HI6BPR-TGHC-M40 HI6BPR HOOD,CENTER LOCKING, TOP ENTRY M40, POWDER COATED, DEEP GREY, NO LOGO HI6BPR上壳, 中部锁定, 顶出M40, 深灰色粉末喷涂, 无LOGO | - | - | M40 | TYPE 3 类型3 |
| T1922162125-001 | HI6BPR-TGHC-M25 HI6BPR HOOD,CENTER LOCKING, TOP ENTRY M25, POWDER COATED, DEEP GREY, NO LOGO HI6BPR上壳, 中部锁定, 顶出M25, 深灰色粉末喷涂, 无LOGO | - | - | M25 | |
| T1922162150-001 | HI6BPR-TGHC-M50 HI6BPR HOOD,CENTER LOCKING, TOP ENTRY M50, POWDER COATED, DEEP GREY, NO LOGO HI6BPR上壳, 中部锁定, 顶出M50, 深灰色粉末喷涂, 无LOGO | - | - | M50 | |
| T1922162132-001 | HI6BPR-TGHC-M32 HI6BPR HOOD,CENTER LOCKING, TOP ENTRY M32, POWDER COATED, DEEP GREY, NO LOGO HI6BPR上壳, 中部锁定, 顶出M32, 深灰色粉末喷涂, 无LOGO | - | - | M32 | TYPE 2 类型2 |
| T1922160225-000 | HI6BPR-TGHC-2M25 HI6BPR HOOD,CENTER LOCKING, TOP ENTRY 2M25, POWDER COATED, BLACK HI6BPR上壳, 中部锁定, 顶出2M25, 黑色粉末喷涂 | M25 | M25 | - | |
| T1922161140-000 | HI6BPR-TGHC-M40 HI6BPR HOOD,CENTER LOCKING, TOP ENTRY M40, POWDER COATED, SILVER WHITE HI6BPR上壳, 中部锁定, 顶出M40, 银白色粉末喷涂 | - | - | M40 | |
| T1922161136-000 | HI6BPR-TGHC-PG36 HI6BPR HOOD,CENTER LOCKING, TOP ENTRY PG36, POWDER COATED, SILVER WHITE HI6BPR上壳, 中部锁定, 顶出PG36, 银白色粉末喷涂 | - | - | PG36 | TYPE 1 类型1 |
| T1922161132-000 | HI6BPR-TGHC-M32 HI6BPR HOOD,CENTER LOCKING, TOP ENTRY M32, POWDER COATED, SILVER WHITE HI6BPR上壳, 中部锁定, 顶出M32, 银白色粉末喷涂 | - | - | M32 | |
| T1922161129-000 | HI6BPR-TGHC-PG29 HI6BPR HOOD,CENTER LOCKING, TOP ENTRY PG29, POWDER COATED, SILVER WHITE HI6BPR上壳, 中部锁定, 顶出PG29, 银白色粉末喷涂 | - | - | PG29 | |
| T1922161125-000 | HI6BPR-TGHC-M25 HI6BPR HOOD,CENTER LOCKING, TOP ENTRY M25, POWDER COATED, SILVER WHITE HI6BPR上壳, 中部锁定, 顶出M25, 银白色粉末喷涂 | - | - | M25 | TYPE 1 类型1 |
| T1922161121-000 | HI6BPR-TGHC-PG21 HI6BPR HOOD,CENTER LOCKING, TOP ENTRY PG21, POWDER COATED, SILVER WHITE HI6BPR上壳, 中部锁定, 顶出PG21, 银白色粉末喷涂 | - | - | PG21 | |
| T1922160140-000 | HI6BPR-TGHC-M40 HI6BPR HOOD,CENTER LOCKING, TOP ENTRY M40, POWDER COATED, BLACK HI6BPR上壳, 中部锁定, 顶出M40, 黑色粉末喷涂 | - | - | M40 | |
| T1922160136-000 | HI6BPR-TGHC-PG36 HI6BPR HOOD,CENTER LOCKING, TOP ENTRY PG36, POWDER COATED, BLACK HI6BPR上壳, 中部锁定, 顶出PG36, 黑色粉末喷涂 | - | - | PG36 | TYPE 1 类型1 |
| T1922160132-000 | HI6BPR-TGHC-M32 HI6BPR HOOD,CENTER LOCKING, TOP ENTRY M32, POWDER COATED, BLACK HI6BPR上壳, 中部锁定, 顶出M32, 黑色粉末喷涂 | - | - | M32 | |
| T1922160129-000 | HI6BPR-TGHC-PG29 HI6BPR HOOD,CENTER LOCKING, TOP ENTRY PG29, POWDER COATED, BLACK HI6BPR上壳, 中部锁定, 顶出PG29, 黑色粉末喷涂 | - | - | PG29 | |
| T1922160125-000 | HI6BPR-TGHC-M25 HI6BPR HOOD,CENTER LOCKING, TOP ENTRY M25, POWDER COATED, BLACK HI6BPR上壳, 中部锁定, 顶出M25, 黑色粉末喷涂 | - | - | M25 | TYPE 1 类型1 |
| T1922160121-000 | HI6BPR-TGHC-PG21 HI6BPR HOOD,CENTER LOCKING, TOP ENTRY PG21, POWDER COATED, BLACK HI6BPR上壳, 中部锁定, 顶出PG21, 黑色粉末喷涂 | - | - | PG21 | |

THIS DRAWING IS A CONTROLLED DOCUMENT.

OWN: Gino_Yao 13JUN2015
CHK: Chris_Wong 13JUN2015
APVD: Xiang_yu 13JUN2015

PRODUCT SPEC: 108-137014
APPLICATION SPEC: 114-137014

WEIGHT: -
SCALE: 1:1

CUSTOMER DRAWING

STE TE Connectivity

H16BPR-TGHC-PG/M

SIZE: A1 CAGE CODE: - DRAWING NO: C=T192216XXXX00 RESTRICTED TO: B2