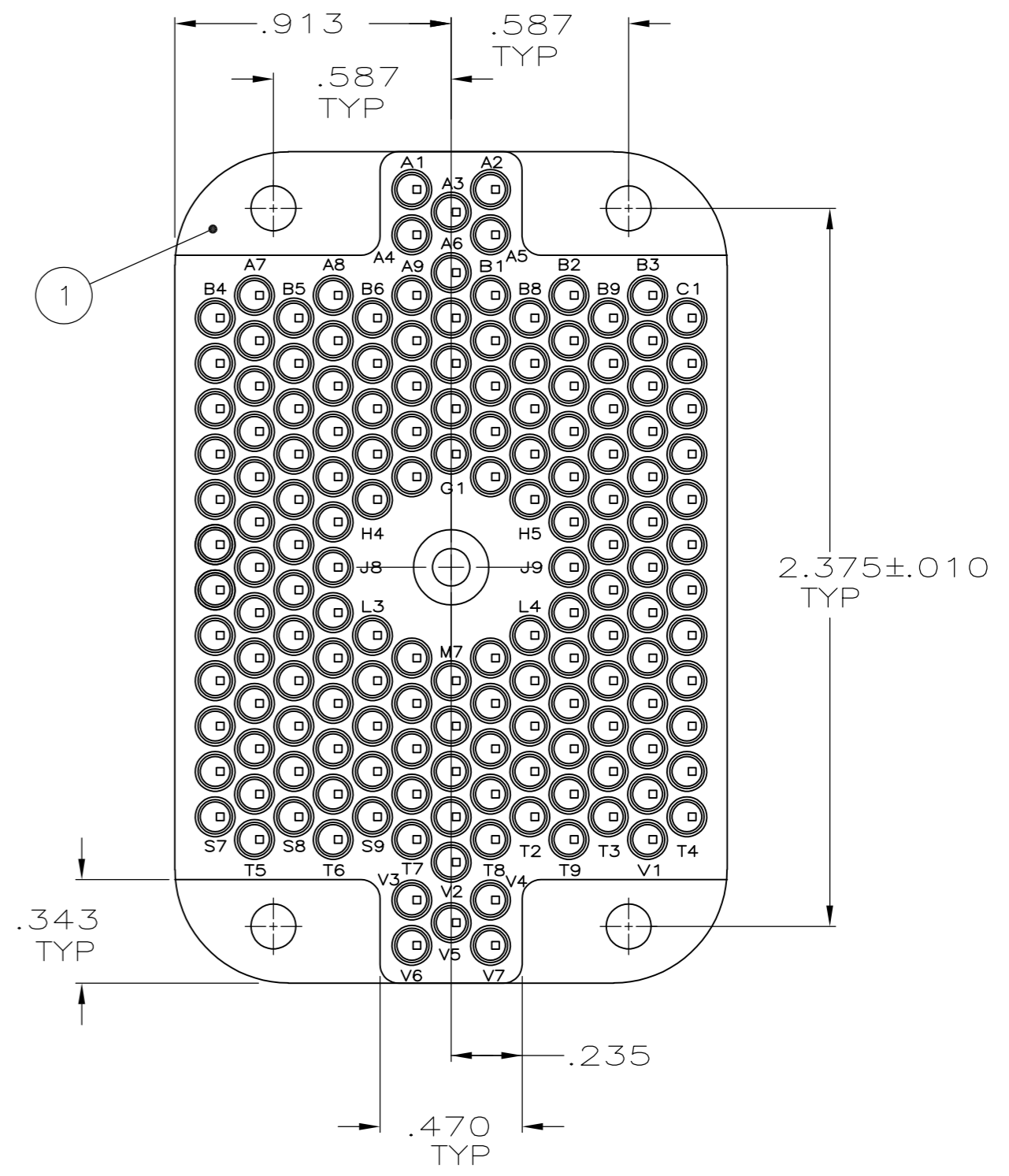
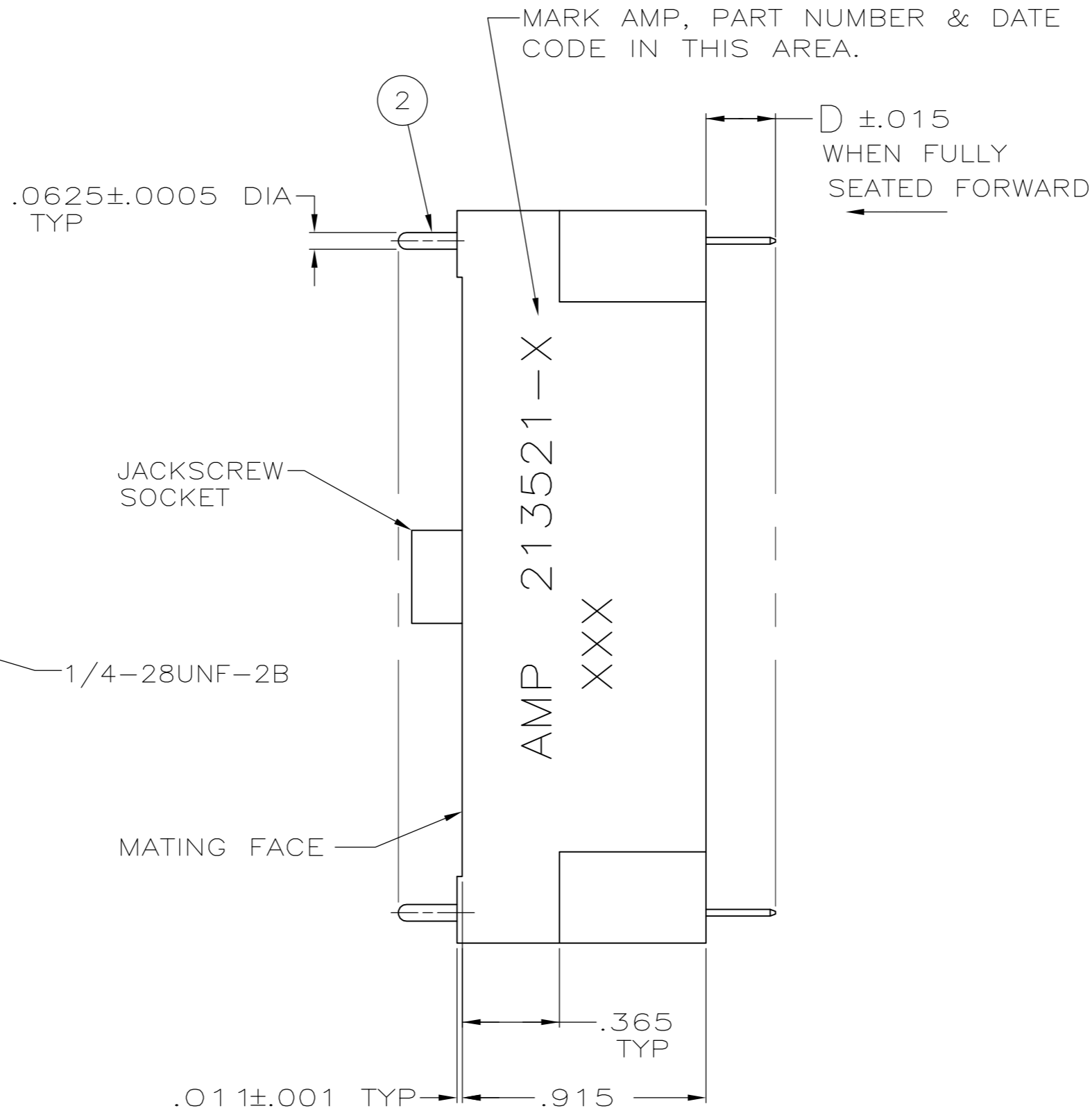
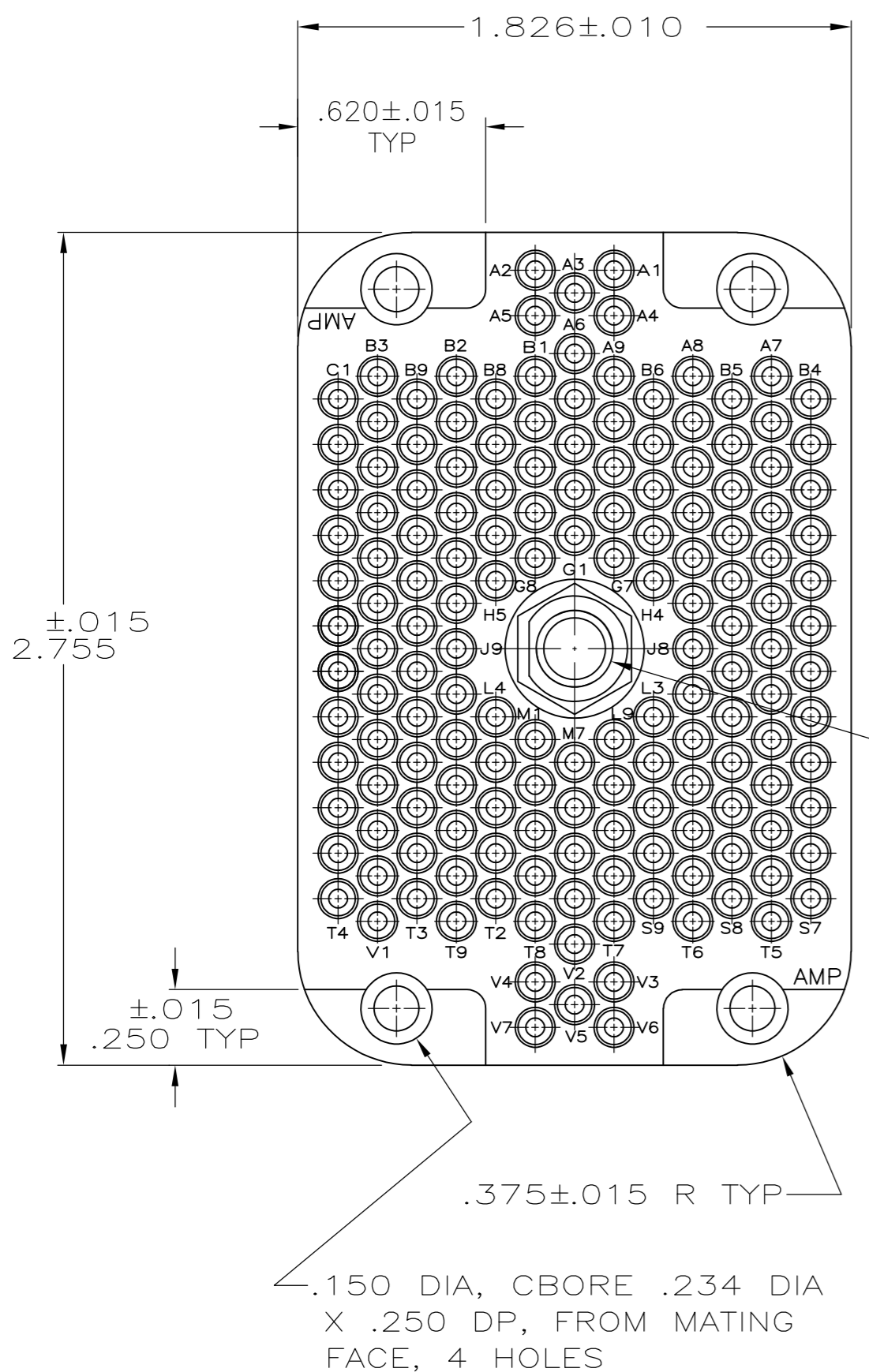


THIS DRAWING IS UNPUBLISHED. RELEASED FOR PUBLICATION
 © COPYRIGHT - By - ALL RIGHTS RESERVED.

LOC		DIST		REVISIONS			
P	LTR	DESCRIPTION		DATE	DWN	APVD	
		K1		REVISED PER ECO-13-008672	02SEP2013	KH	DR



- 1 THIS ASSEMBLY MATES WITH 202799.
- 2 .000030 MIN GOLD PLATE ON .0625 DIA .250 FROM MATING END & REMAINDER GOLD FLASH ALL OVER .000050 MIN NICKEL. POSTS PLATED TIN-LEAD .000100 MIN THICK PER MIL-T-10727 OVER NICKEL .000050 MIN THK PER QQ-N-290.
- 3 JACKSCREW SOCKET: STAINLESS STEEL; PIN CONTACT: BRASS; RECEPTACLE BLOCK: BLUE = DIALYL PHTHALATE; BLACK = PHENOLIC.
- 4 .000030 MIN GOLD PLATE ON .0625 DIA .250 FROM MATING END & REMAINDER GOLD FLASH ALL OVER .000050 MIN NICKEL. POSTS PLATED TIN .000100 MIN THICK PER MIL-T-10727 OVER NICKEL .000050 MIN THK PER QQ-N-290.

OBSOLETE	4	.261	6-66460-2	202800-3	BLUE	213521-6
SUPERSEDED BY 213521-1						
OBSOLETE	-	.261	66460-7	202800-3	BLUE	213521-5
OBSOLETE	-	.659	66460-9	202800-4	BLACK	213521-4
OBSOLETE	-	.470	66460-8	202800-4	BLACK	213521-3
OBSOLETE	-	.261	66460-7	202800-4	BLACK	213521-2
	2	.261	66460-7	202800-3	BLUE	213521-1
FINISH	D	2	PIN CONTACT QTY = 160	1	BLOCK RECEPTACLE QTY = 1	COLOR PART NO

THIS DRAWING IS A CONTROLLED DOCUMENT.

DWN	D. ERDMAN	4-29-88
CHK	R. STONE	4-29-88
APVD	-	-
PRODUCT SPEC	-	
APPLICATION SPEC	-	
WEIGHT	-	
CUSTOMER DRAWING	-	

TE Connectivity

RECEPTACLE ASSEMBLY, 160 POSITION, POSTED, M SERIES

SIZE	A2	CAGE CODE	00779	DRAWING NO	C=213521	RESTRICTED TO	-
SCALE	2:1	SHEET	1 of 1	REV	K1		