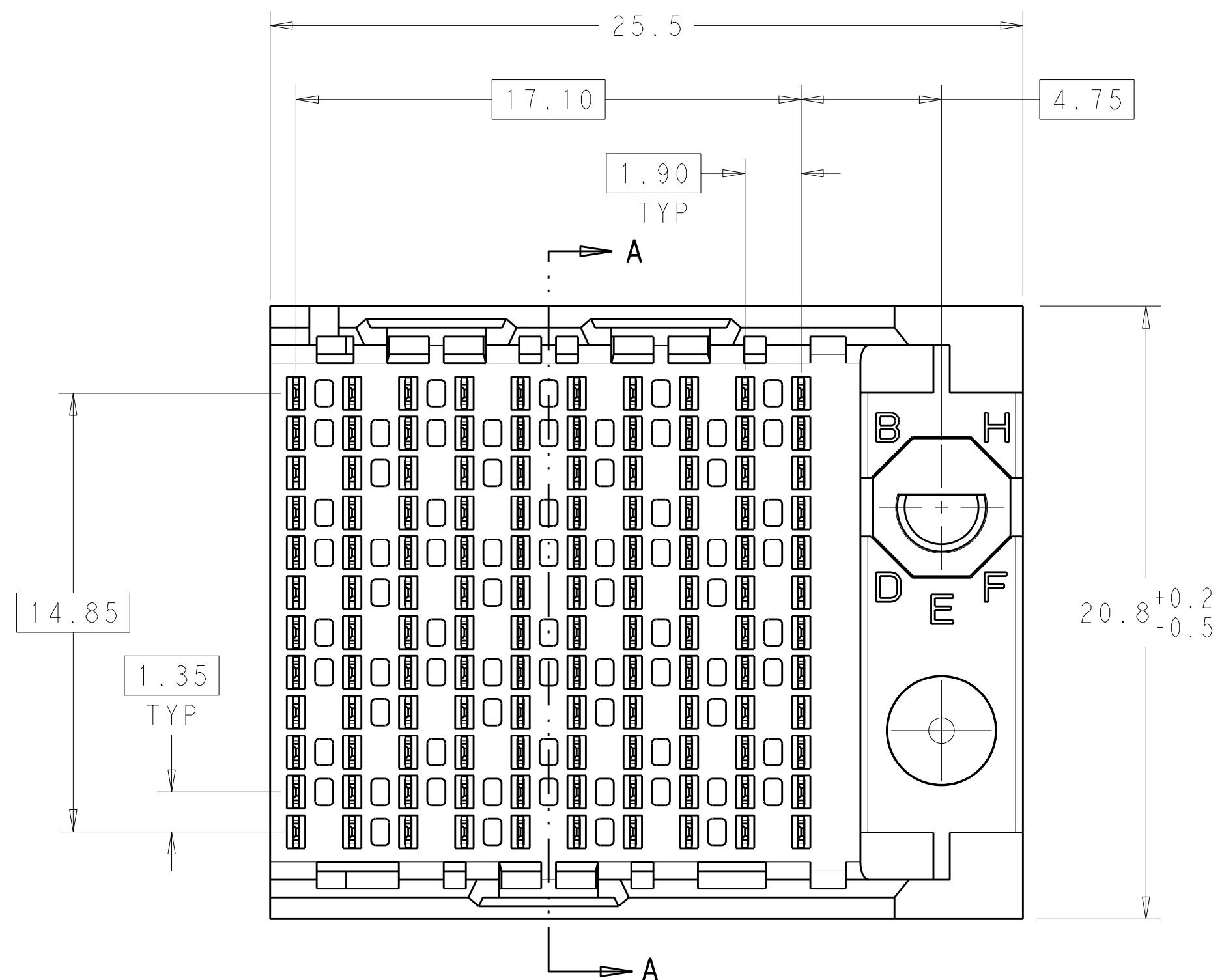
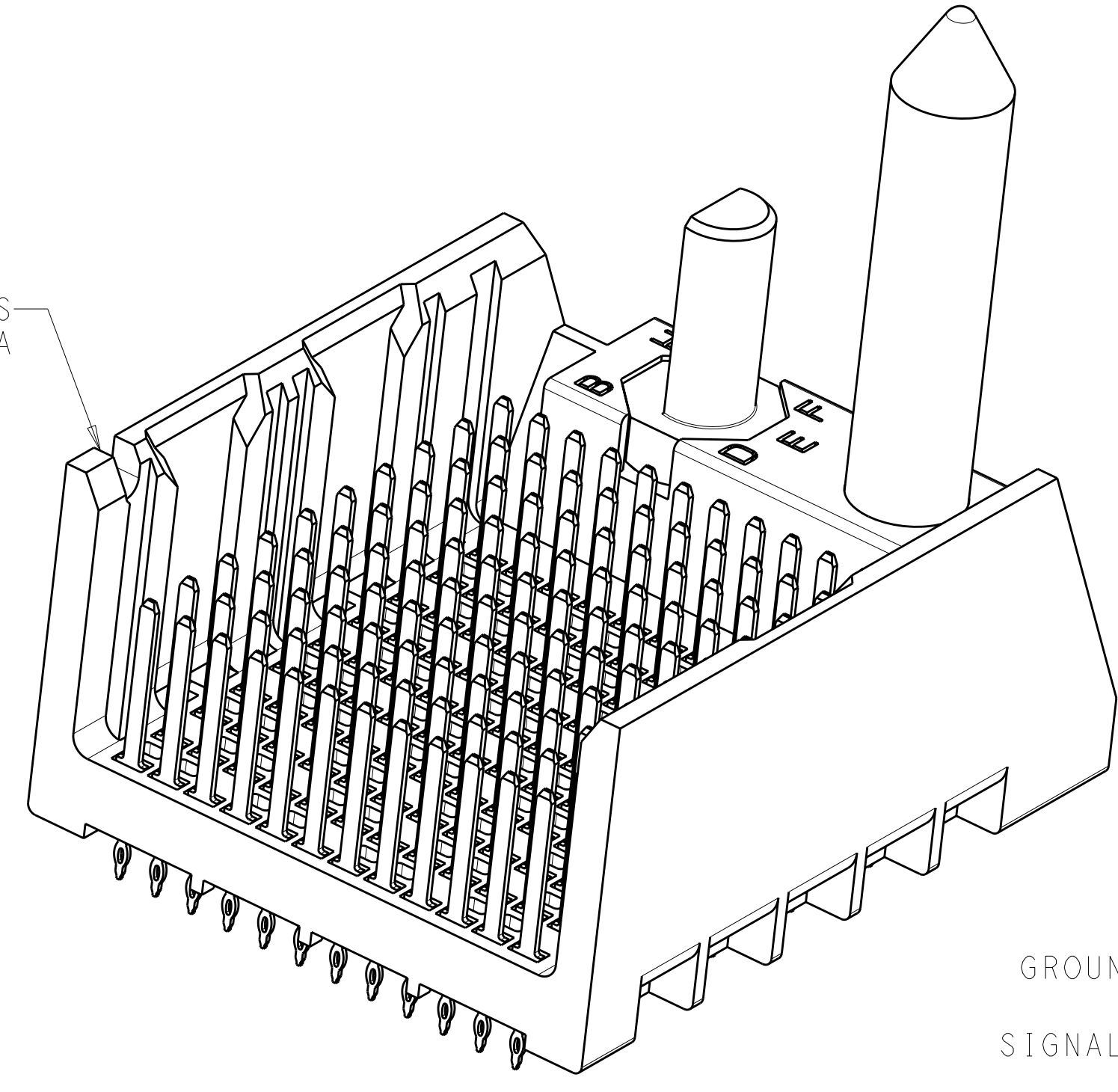


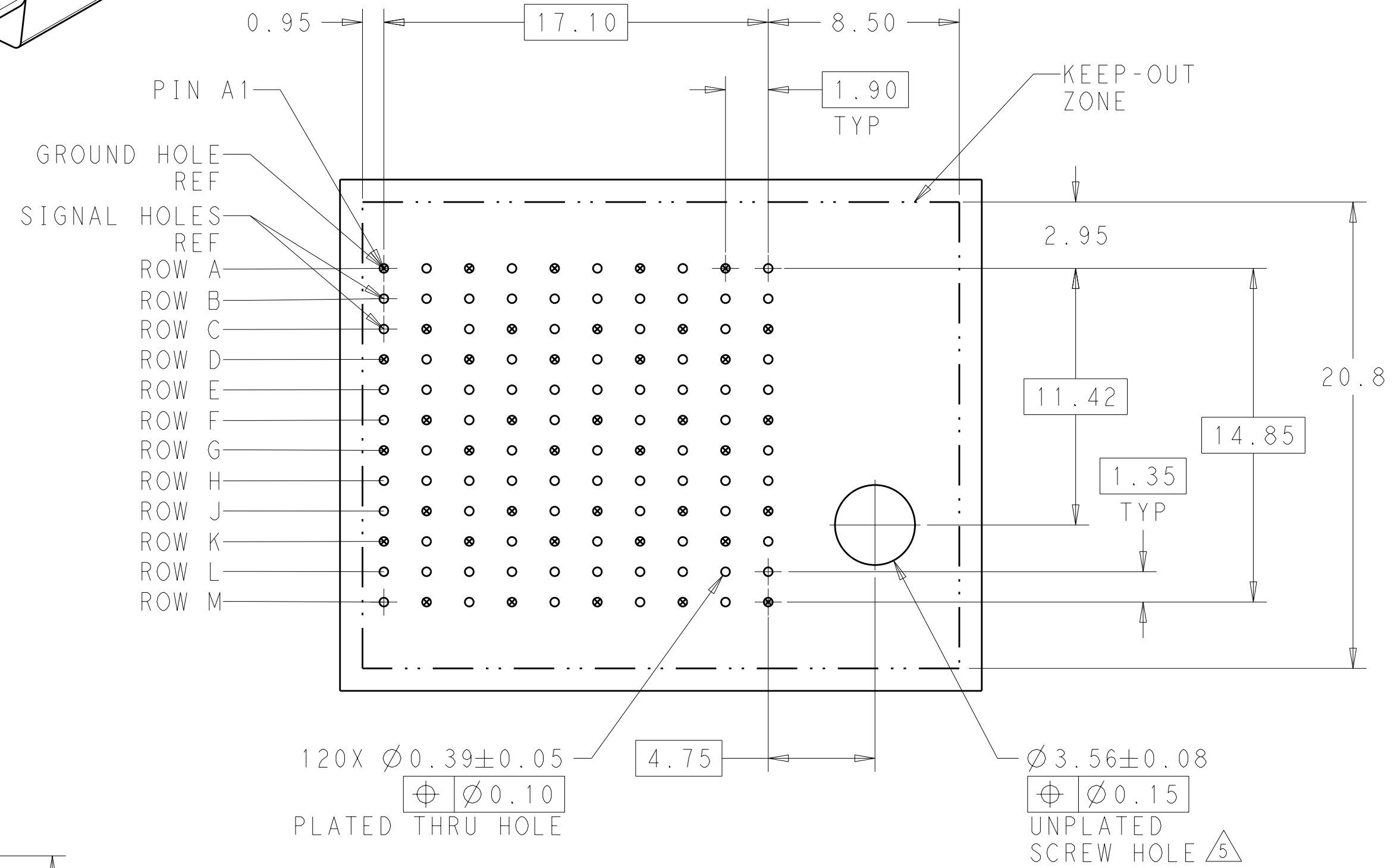
LOC	DIST	REV	DATE	BY	APPD
AD	00	B	26DEC11	KH	DY
		REVISIONS			
		DESCRIPTION	DATE	DWN	APPD
		REVISED PER ECO-11-025276	26DEC11	KH	DY



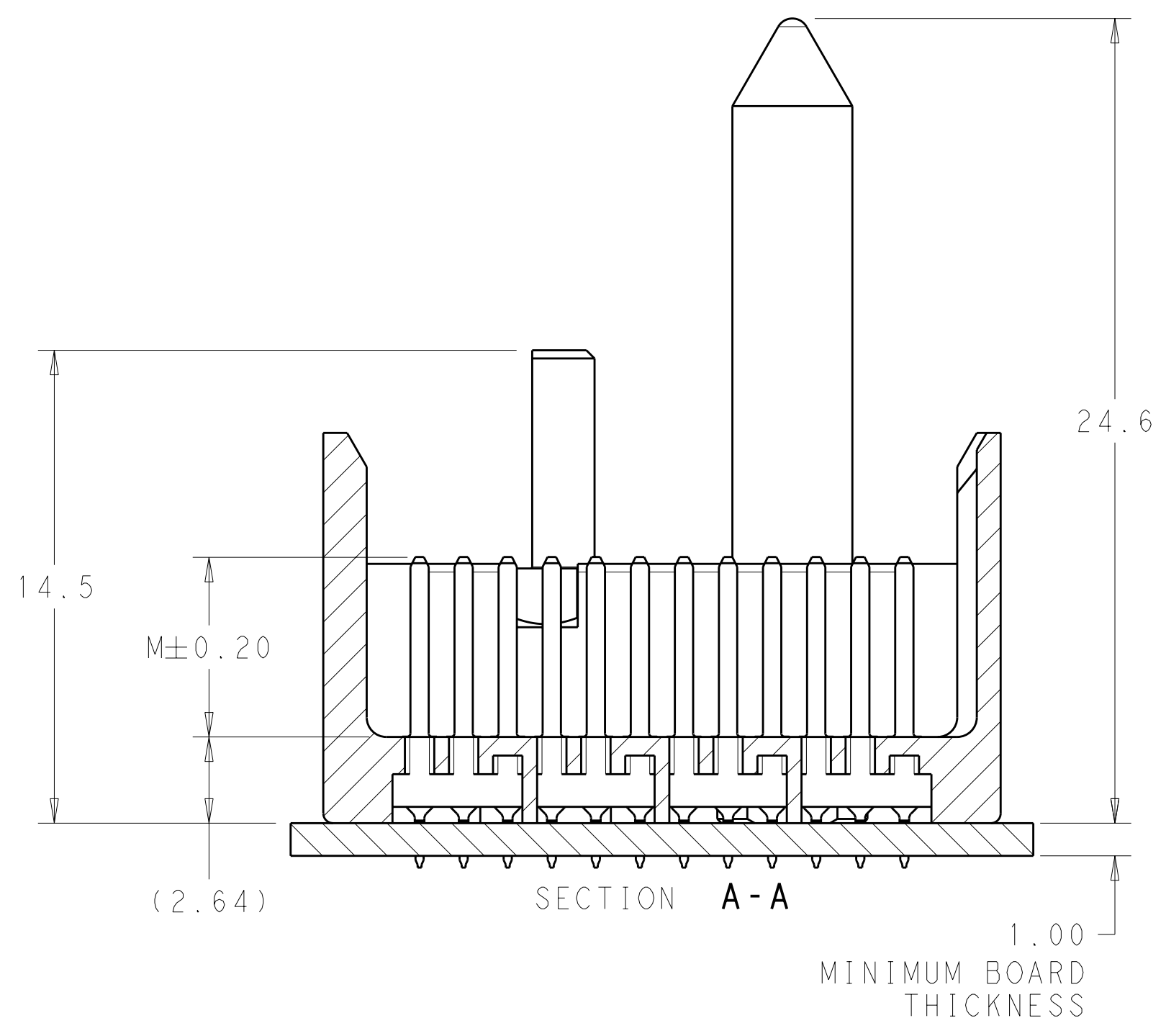
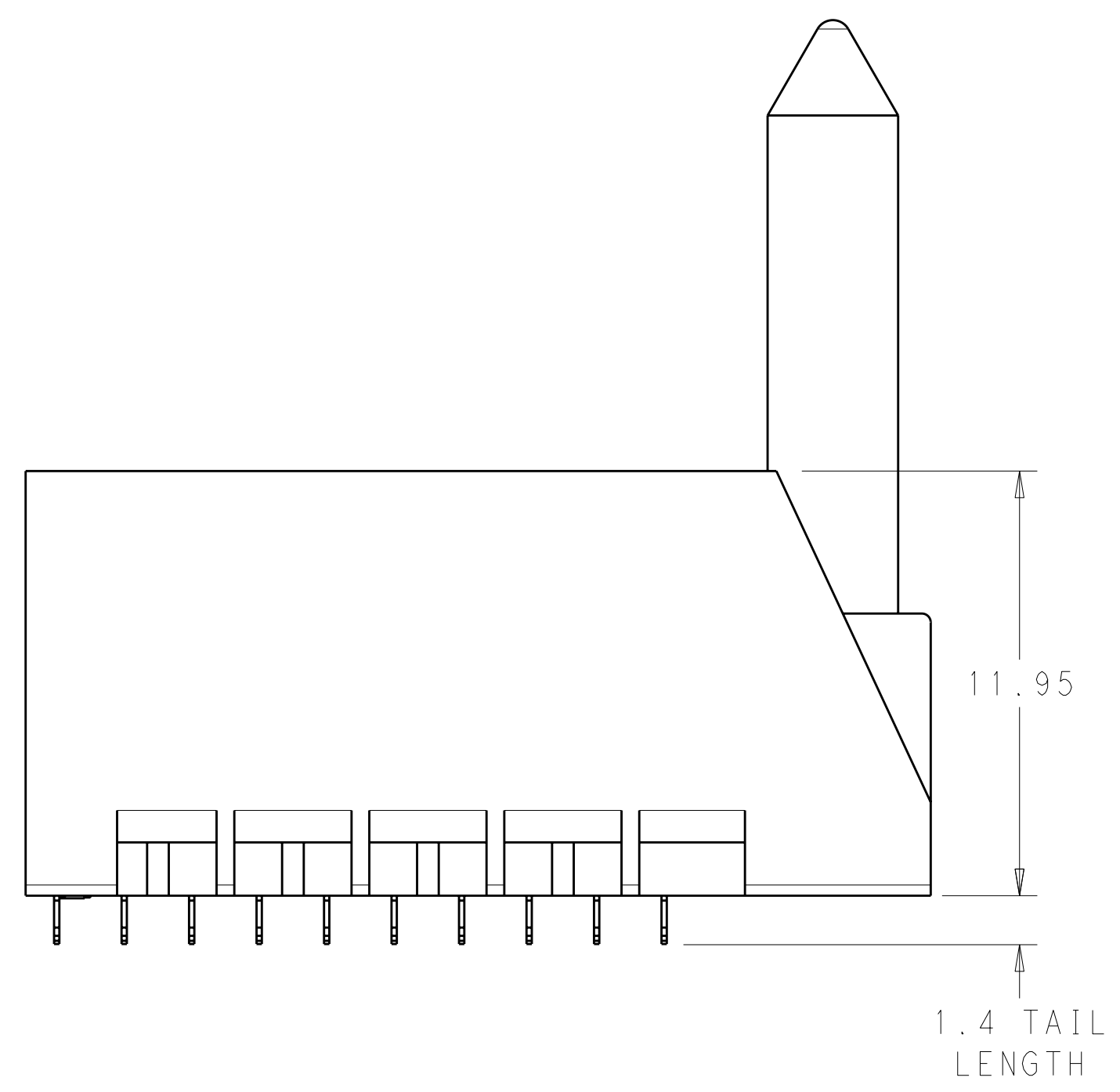
NOTCH DESIGNATES ROW A



- 1 MATERIAL:
HOUSING: LCP, GLASS FILLED, UL94V-0.
TERMINALS: HIGH PERFORMANCE COPPER ALLOY.
- 2 FINISH:
30µ" MIN GOLD IN CONTACT AREA. SELECTIVE TIN ON PCB TAILS, NICKEL OVERALL.
- 3 FINISH:
30µ" MIN GOLD IN CONTACT AREA. SELECTIVE TIN-LEAD ON PCB TAILS, NICKEL OVERALL.
- 4. SCREWS PACKAGED IN END OF PACKAGING TUBE.
- 5 FOR GROUNDED GUIDE PIN USE $\phi 3.56 \pm 0.08$ PTH, $\phi 3.66$ DRILL, AND $\phi 6.5$ PAD.
- 6. KEYING PIN SHOWN IN POSITION A. SEE KEYING CHART ON SHEET 2 FOR OTHER POSITIONS.



RIGHT GUIDED BACKPLANE HOLE PATTERN (CONNECTOR SIDE)

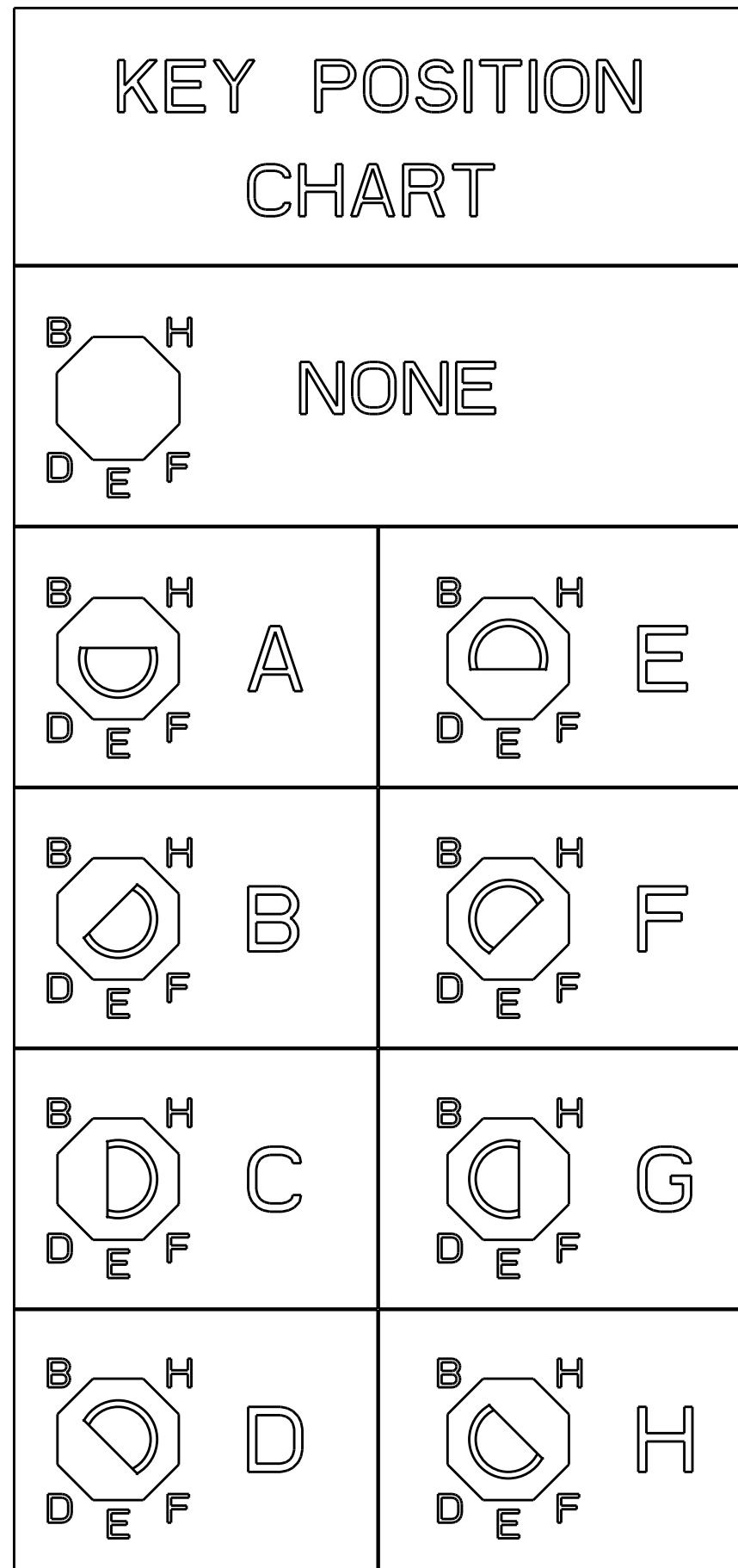


THIS DRAWING IS A CONTROLLED DOCUMENT.		DWN J. K. SHOBER 26DEC11	TE Connectivity
DIMENSIONS: mm		CHK J. EBY 26DEC11	
TOLERANCES UNLESS OTHERWISE SPECIFIED:		APVD J. EBY 26DEC11	NAME IMPACT, 4 PAIR, 10 COLUMN, HEADER RIGHT GUIDED, OPEN END WALL SIGNAL MODULE, 0.39 PTH
9 PLC ±		PRODUCT SPEC	
1 PLC ±0.25		APPLICATION SPEC	SIZE CAGE CODE DRAWING NO. RESTRICTED TO A100779C=2007813
5 PLC ±0.13		WEIGHT	
3 PLC ±		CUSTOMER DRAWING	SCALE 6:1 SHEET 1 OF 2 REV B
4 PLC ±			
ANGLES ±			
FINISH SEE TABLE			

LOC		DIST		REVISIONS			
AD	00	P	LTG	DESCRIPTION	DATE	DWN	APVD
		-	-	SEE SHEET 1	-	-	-

3	H	5.5	8-2007813-6
3	H	4.9	8-2007813-5
3	H	4.5	8-2007813-4
2	H	5.5	8-2007813-3
2	H	4.9	8-2007813-2
2	H	4.5	8-2007813-1
3	G	5.5	7-2007813-6
3	G	4.9	7-2007813-5
3	G	4.5	7-2007813-4
2	G	5.5	7-2007813-3
2	G	4.9	7-2007813-2
2	G	4.5	7-2007813-1
3	F	5.5	6-2007813-6
3	F	4.9	6-2007813-5
3	F	4.5	6-2007813-4
2	F	5.5	6-2007813-3
2	F	4.9	6-2007813-2
2	F	4.5	6-2007813-1
3	E	5.5	5-2007813-6
3	E	4.9	5-2007813-5
3	E	4.5	5-2007813-4
2	E	5.5	5-2007813-3
2	E	4.9	5-2007813-2
2	E	4.5	5-2007813-1
3	D	5.5	4-2007813-6
3	D	4.9	4-2007813-5
3	D	4.5	4-2007813-4
2	D	5.5	4-2007813-3
2	D	4.9	4-2007813-2
2	D	4.5	4-2007813-1
3	C	5.5	3-2007813-6
3	C	4.9	3-2007813-5
3	C	4.5	3-2007813-4
2	C	5.5	3-2007813-3
2	C	4.9	3-2007813-2
2	C	4.5	3-2007813-1
3	B	5.5	2-2007813-6
3	B	4.9	2-2007813-5
3	B	4.5	2-2007813-4
2	B	5.5	2-2007813-3
2	B	4.9	2-2007813-2
2	B	4.5	2-2007813-1
3	A	5.5	1-2007813-6
3	A	4.9	1-2007813-5
3	A	4.5	1-2007813-4
2	A	5.5	1-2007813-3
2	A	4.9	1-2007813-2
2	A	4.5	1-2007813-1
3	-	5.5	2007813-6
3	-	4.9	2007813-5
3	-	4.5	2007813-4
2	-	5.5	2007813-3
2	-	4.9	2007813-2
2	-	4.5	2007813-1
FINISH	KEY POSITION	DIM M	PART NUMBER

REFER TO WWW.TE.COM FOR PRODUCT AVAILABILITY



THIS DRAWING IS A CONTROLLED DOCUMENT.		DWN J. K. SHOBER	26DECT1	TE TE Connectivity
DIMENSIONS: mm		CHK J. EBY	26DECT1	
TOLERANCES UNLESS OTHERWISE SPECIFIED:		APVD J. EBY	26DECT1	NAME IMPACT, 4 PAIR, 10 COLUMN, HEADER RIGHT GUIDED, OPEN END WALL SIGNAL MODULE, 0.39 PTH
9 PLC ± 3 PLC ±0.25 5 PLC ±0.13 4 PLC ± ANGLES ±		PRODUCT SPEC	APPLICATION SPEC	
MATERIAL	FINISH SEE TABLE	WEIGHT	CUSTOMER DRAWING	RESTRICTED TO
SCALE 5:1		SHEET 2 OF 2		REV B