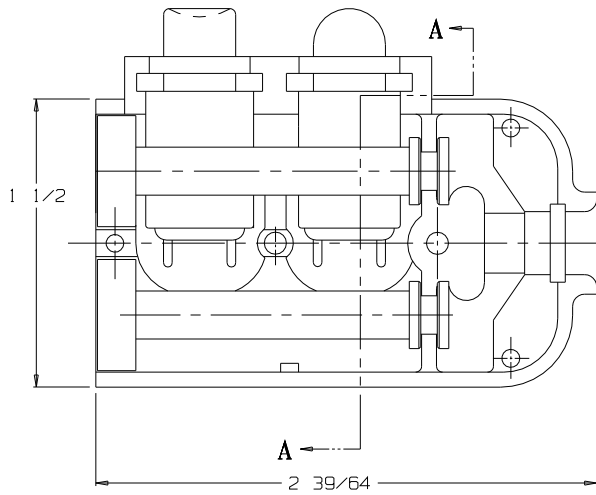
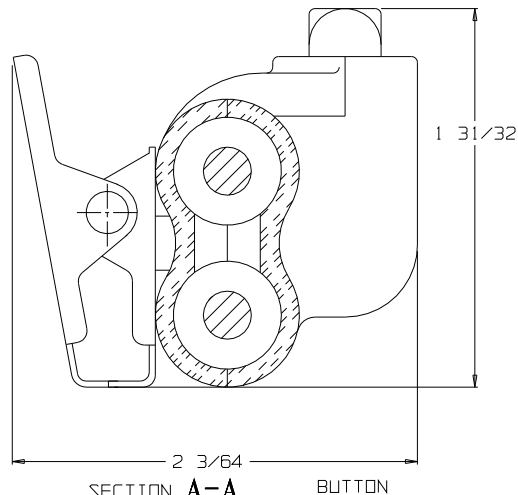


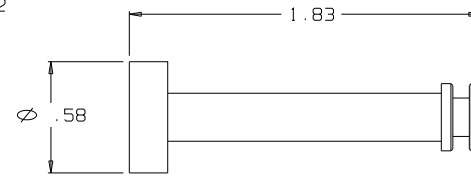
C TJSS-106-NJP



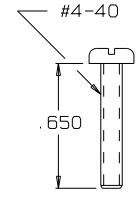
VIEW WITH HALF SHELL REMOVED



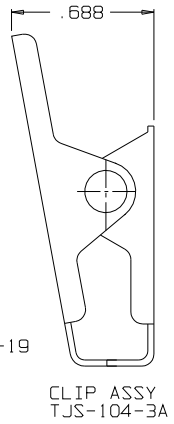
SECTION A-A



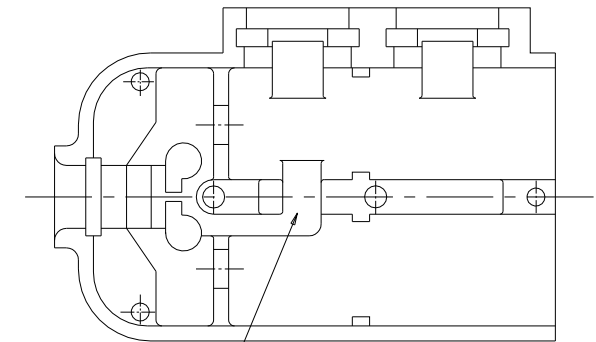
FILLER PLUG
TJSS-106-11
(2 REQ'D)



SCREW
TJS-106-19

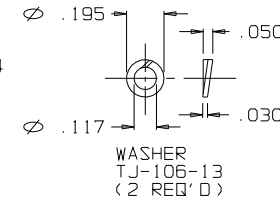
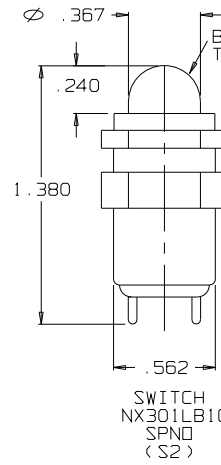
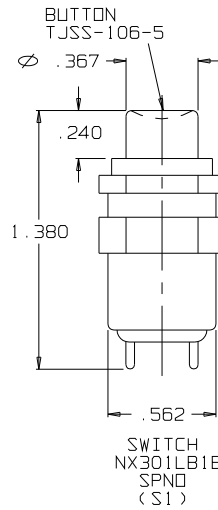
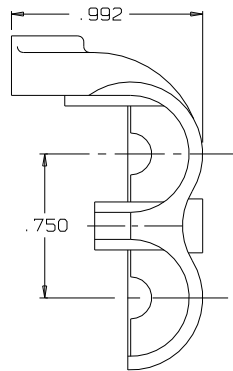


CLIP ASSY
TJS-104-3A

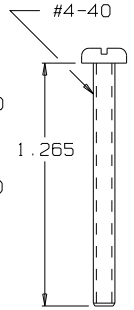


CHANNEL FOR SWITCH LEADS

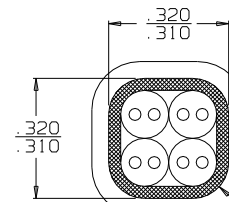
SHELL, HALF TJSS-106-2



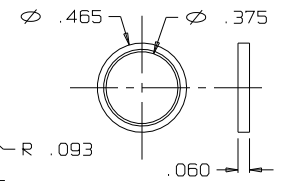
WASHER
TJ-106-13
(2 REQ'D)



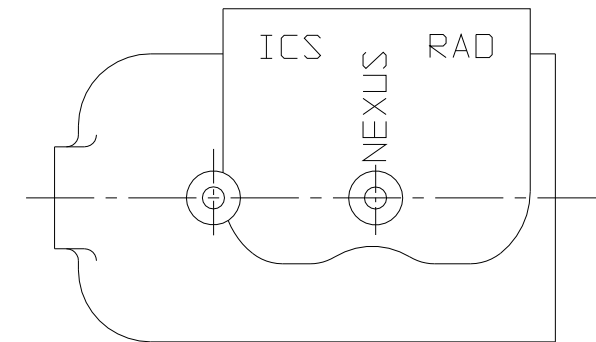
SCREW
TJSS-106-3



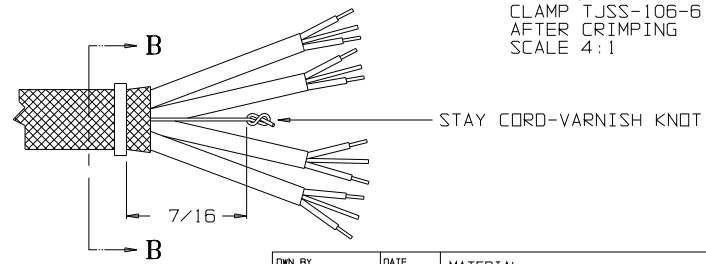
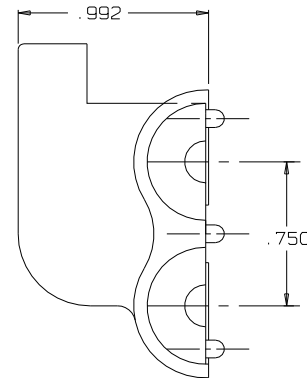
SECTION B-B
STRAIN RELIEF CLAMP TJSS-106-6 AFTER CRIMPING SCALE 4:1



RING, STRAIN RELIEF
TJSS-106-6



SHELL, HALF TJSS-106-1



STAY CORD-VARNISH KNOT

THIS DOCUMENT CONTAINS PROPRIETARY INFORMATION OF NEXUS, INCORPORATED AND SUCH INFORMATION MAY NOT BE DISCLOSED TO OTHERS FOR ANY PURPOSE OR USED FOR ANY PURPOSE WITHOUT THE WRITTEN CONSENT OF NEXUS.

DWN BY	EWT	DATE	4/21/06
CHECKED BY	EWT	DATE	4/21/06
APPR BY	FF	DATE	4/21/06

MATERIAL	_____
FINISH	_____
WEIGHT	_____
SCALE	2:1

TITLE	TELEPHONE JACK NO JACK/PLUG WITH 2 SWITCHES
DD NOT SCALE DWG.	SHEET 1 OF 1

NEXUS STAMFORD, CONN
SIZE DWG. NO. **C**
TJSS-106-NJP

A	INITIAL RELEASE		4/21/06	EWT
LET.	REVISION	CN #	DATE	CHK.
			4/21/06	4/21/06