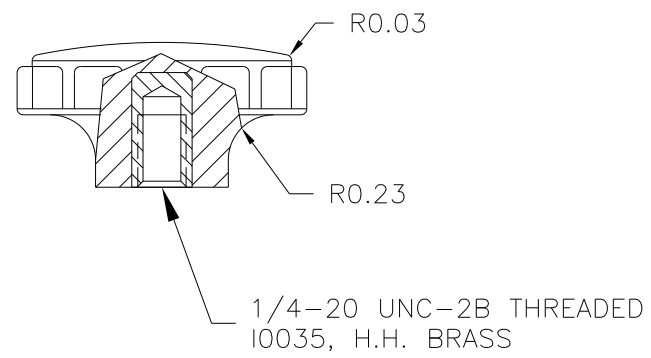
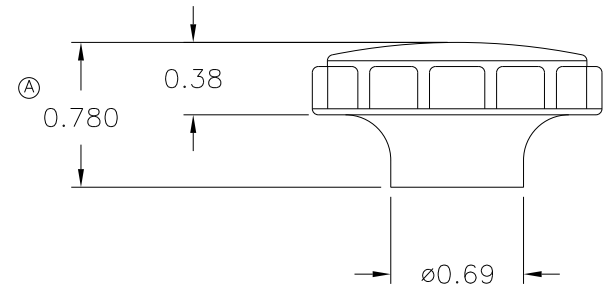
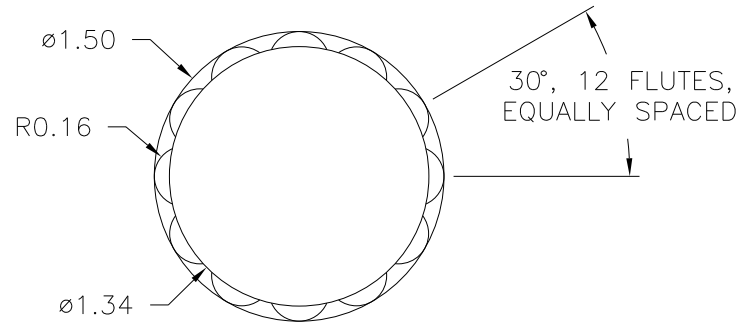


PART NAME: KNOB SCALE: 1:1 DATE: 1/29/51 DR. BY FAA

THIS DRAWING IS THE PROPERTY OF DAVIES MOLDING COMPANY, IS SUBMITTED SOLELY AS A DESIGN OR ENGINEERING PROJECT. WE ACCEPT NO RESPONSIBILITY WHATSOEVER FOR THE PRACTICAL APPLICATION OF THE PIECES MADE TO THIS DESIGN.



P/N	3009-K
M ^{NO.}	3009
CAVITY	3009
PLUNGER	3009
PIN	3009-C
SHIM	# 1
INSERT	I0035



MATERIAL: G.P. PHENOLIC (B11)
 COLOR: BLACK

TOLERANCES: UNLESS OTHERWISE SPECIFIED	DO NOT SCALE DRAWING	A	0.780 WAS 0.75	DS	4/19/06
DECIMALS: X.XXX ± .005 X.XX ± .015	MM: X.XX ± 0.15MM X.X ± 0.4MM	-	RE-DID REDRAW	TL	11/23/99
FRACTIONS ± 1/64	ANG. ± 1°	-	CAD REDRAW	HD	7/23/92
CHANGES					