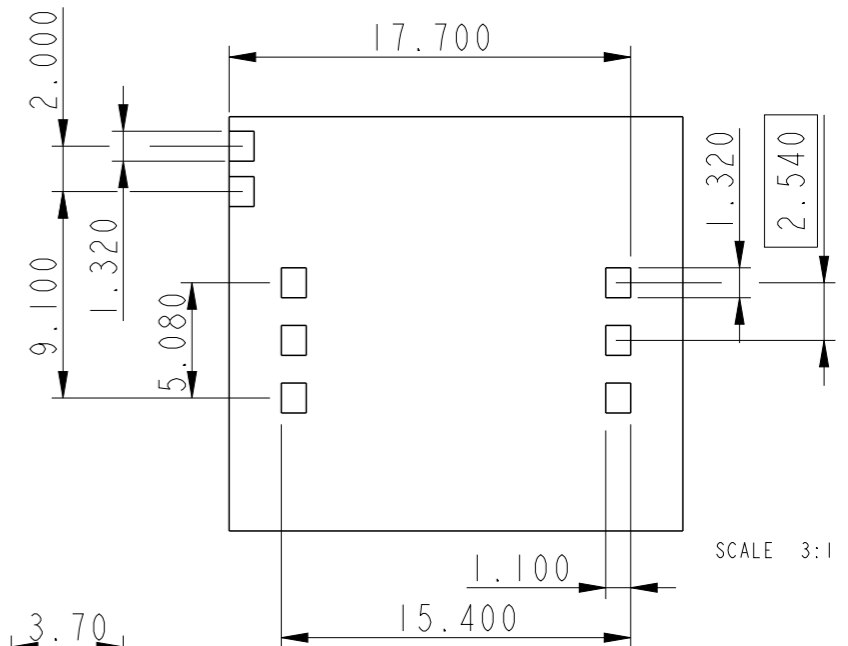
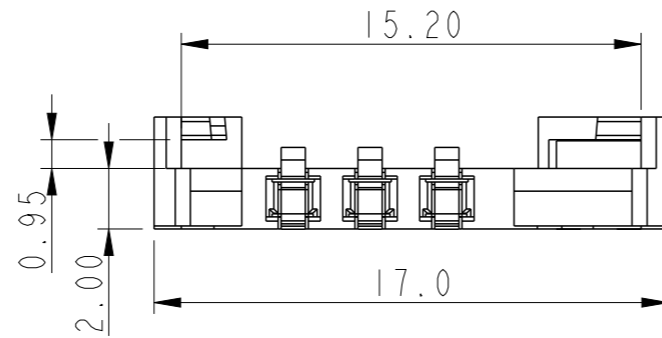
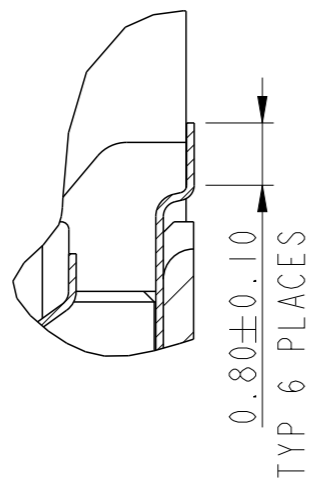


PART NUMBER

7111SI615A01LF

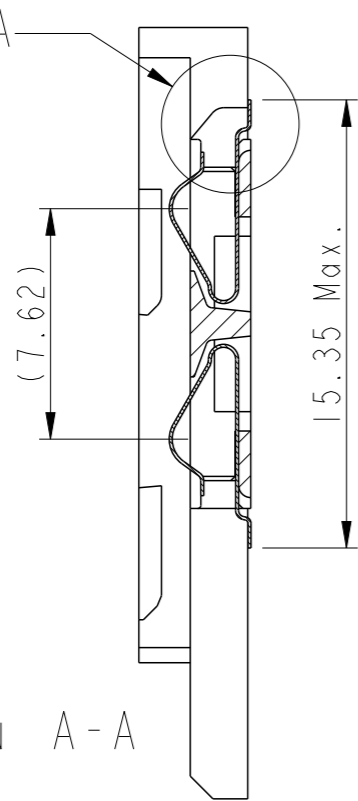
DETAIL A  
SCALE 10:1



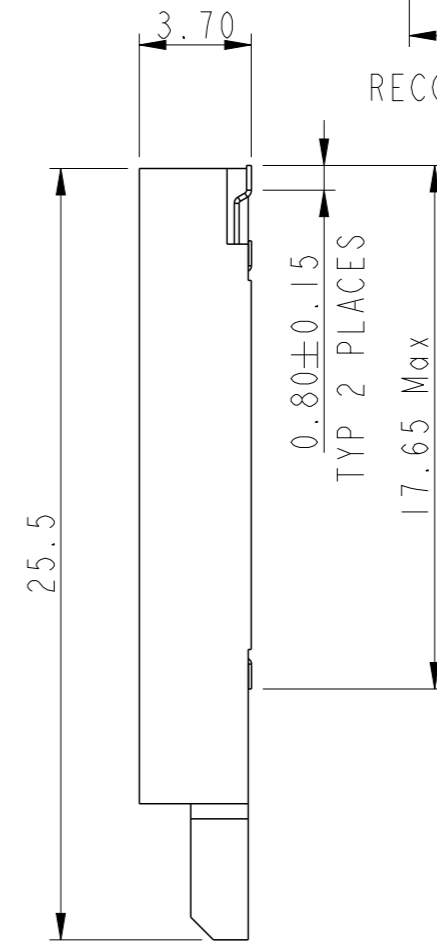
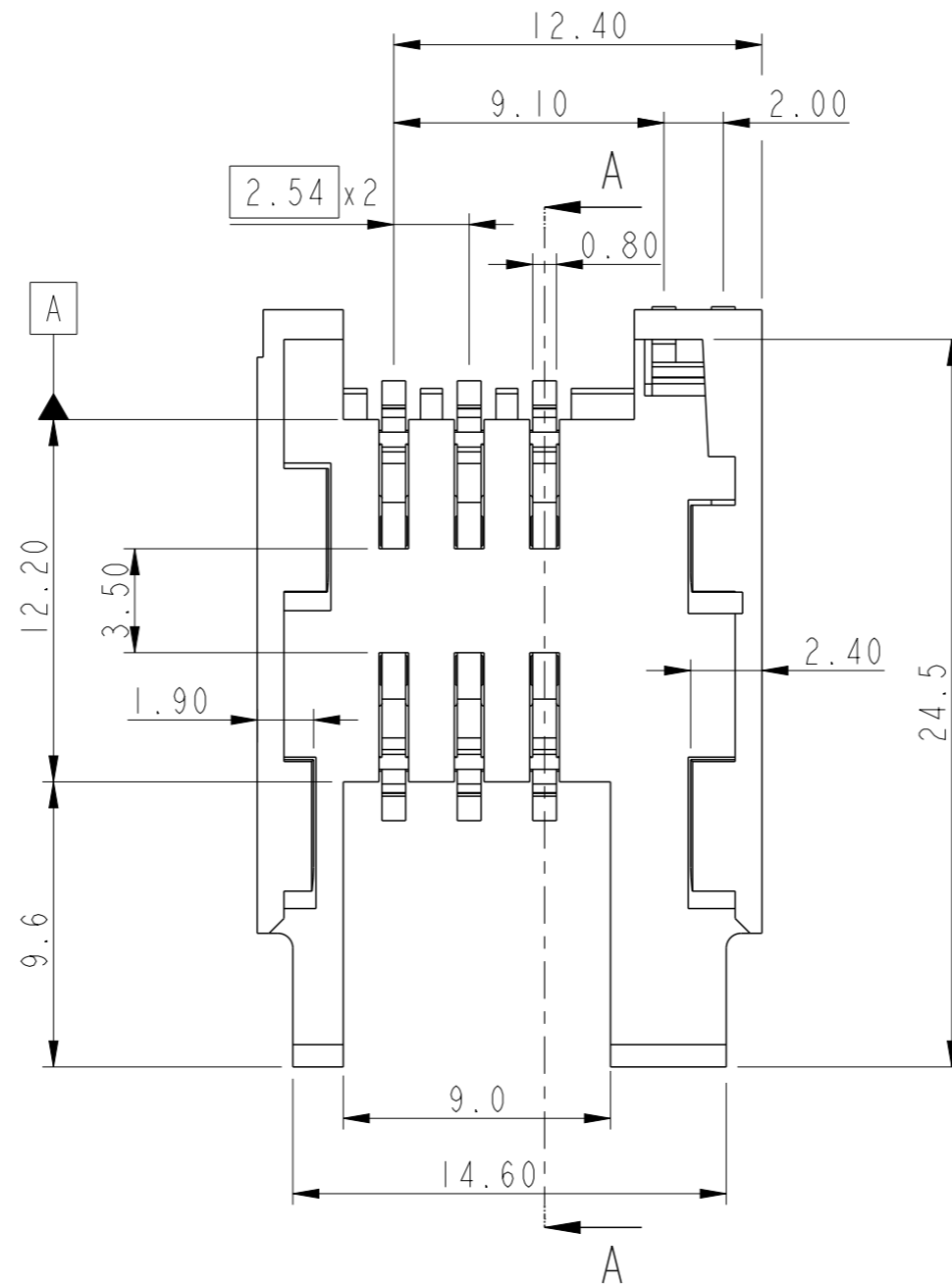
RECOMMENDED PCB LAYOUT

SCALE 3:1

SEE DETAIL A



SECTION A-A



0.80 ± 0.15  
TYP 2 PLACES

NOTE:

"This product meets European Union Directives and other country regulations as described in GS-47-0004"

The housing will withstand exposure to 260°C peak temperature for 10 seconds in a convection reflow oven.

**PROCESSING**

Ni 2 micrometer  
Gold 2.5 μm/Equivalent PdNi over Ni on contact area  
Output : Matte tin 2.5 μm

spec ref	--	dr	P-Mathew Nebu	2011/05/10	projection	mm	size	A3	scale	4:1
tolerance std	ISO 406 ISO 1101	eng	P-Mathew Nebu	2017/09/07		mm	ecn no	ELX-I-27477-1	rel level	Released
TOLERANCES UNLESS OTHERWISE SPECIFIED		chr	-	-						
surface	linear	appr	K-Paul Biju	2017/09/09	product family	MOBILE IO				
	angular						dwg no		VJW53943	
							rev		G	
					cat. no.		SEE NOTES		Product - Customer Drw	
							sheet 1 of 1			