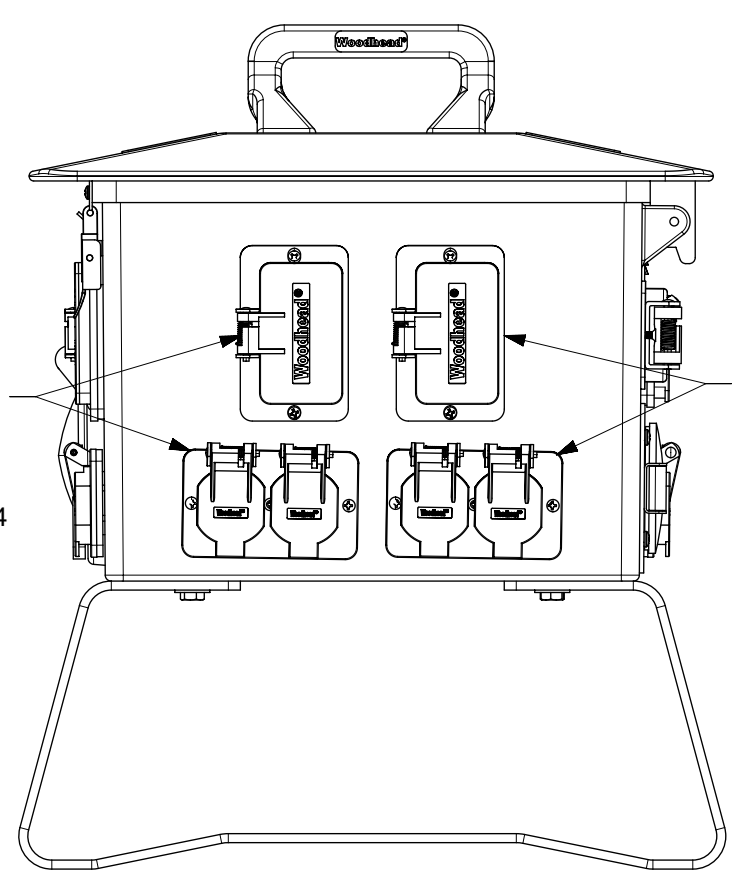
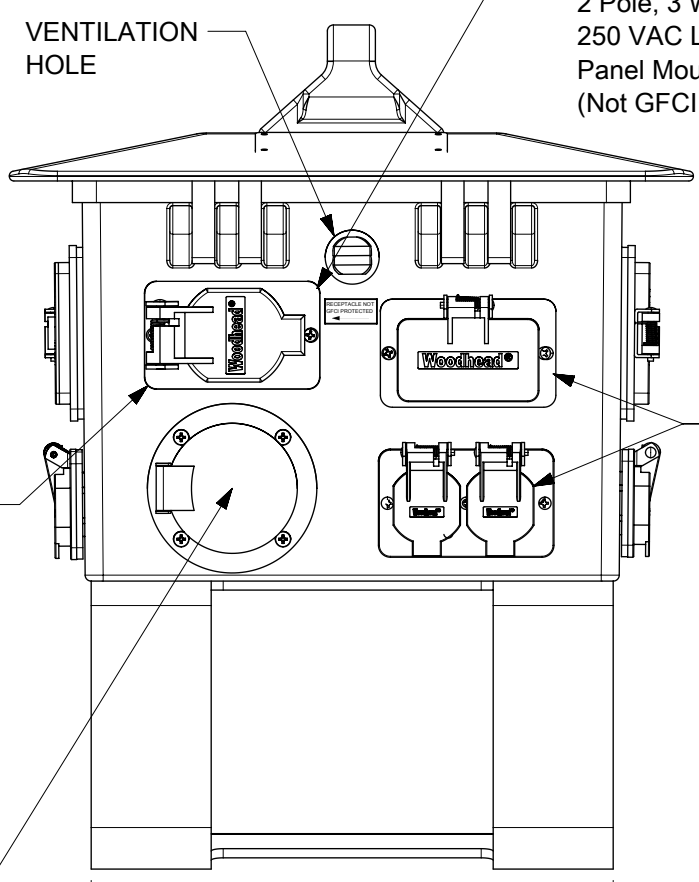


FEED THRU:
Qty(1) 50A,
California Style Locking Receptacle,
Single Phase (H,H,N,G),
125/250 VAC, Panel Mount

BACK VIEW
(FEE THRU)

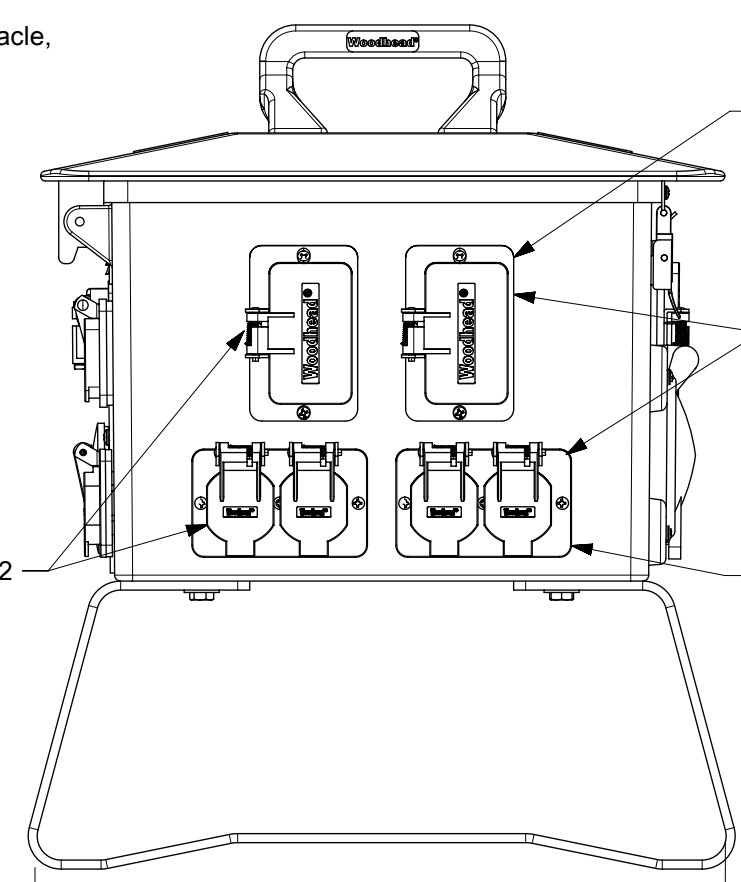


LEFT SIDE



INPUT:
Qty(1) 50A,
California Style Locking Inlet,
Single Phase (H,H,N,G),
125/250 VAC, Panel Mount

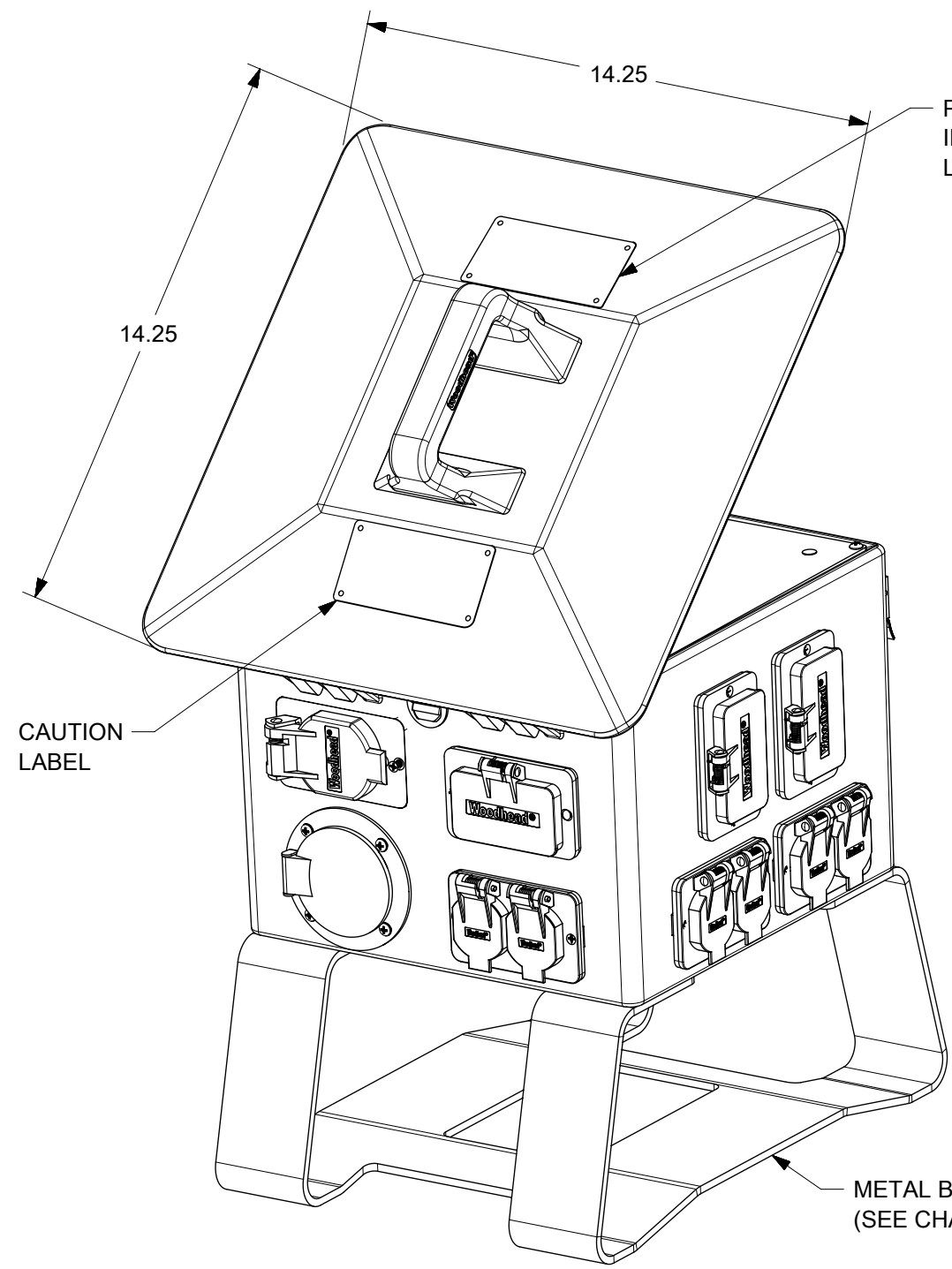
FRONT VIEW
(INPUT)



RIGHT SIDE

GFCI Open-Neutral
Protection Modules:
Qty(6)

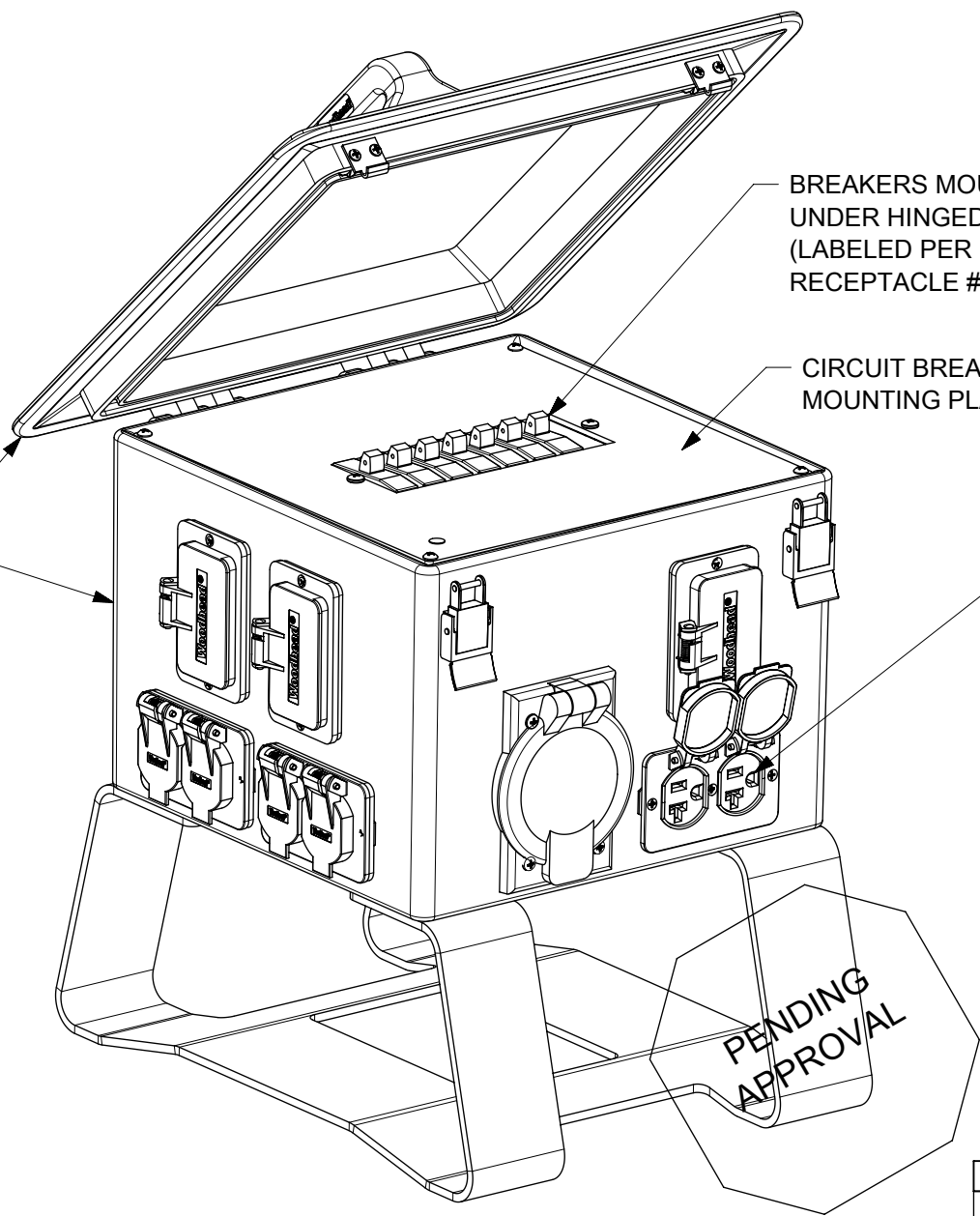
OUTPUT:
Qty(6) NEMA Straight Blade 5-20, 20A,
Single Phase (H,N,G), 2 Pole, 3 Wire,
125 VAC Duplex receptacles,
Panel Mount, GFCI Open-Neutral Protected
Weather-Resistant Type



CAUTION
LABEL

PRODUCT
IDENTIFICATION
LABEL

METAL BASE
(SEE CHART)



BREAKERS MOUNTED
UNDER HINGED COVER
(LABELED PER
RECEPTACLE #)

CIRCUIT BREAKER
MOUNTING PLATE

RUBBER
(SEE CHART)

RECEPTACLE FACE
COLOR-CODED
PER HOT WIRE
(SEE CHART)

PENDING
APPROVAL

RECEPTACLE #	FACE COLOR
1	BLACK
2	RED
3	BLACK
4	RED
5	BLACK
6	RED

NOTES:

- cULus Listed Portable Power Distribution Unit
- Rating: 50A, Single Phase (H,H,N,G), 3 Pole, 4 Wire 125/250 VAC
- Input: Qty(1) 50A, California Style Locking Inlet, Single Phase (H,H,N,G), 3 Pole, 4 Wire, 125/250 VAC, Panel Mount (Not GFCI Protected)
- Output:
 - Qty(6) NEMA Straight Blade, 20A, 5-20, Single Phase (H,N,G), 2 Pole, 3 Wire, 125 VAC Duplex receptacles, Panel Mount GFCI Open-Neutral Protected, Weather-Resistant Type
 - Qty(1) NEMA L6-30, 30A, Single Phase (H,H,G), 2 Pole, 3 Wire, 250 VAC Locking receptacle, Panel Mount (Not GFCI Protected)
- Main Breaker: None
- Feed Thru: Yes, Qty(1) 50A, California Style Locking Receptacle, Single Phase (H,H,N,G), 3 Pole, 4 Wire, 125/250 VAC, Panel Mount (Not GFCI Protected)
- Overcurrent Protection:
 - Qty(6) 20A, 1 Pole branch-rated circuit breakers
 - Qty(1) 30A, 2 Pole branch-rated circuit breaker
- Environmental Rating: NEMA Type 3R Rainproof (when all cover plates and hinged lid cover closed)
- Box Style: Rubber, Hinged
- Dimensions: 14.25" L x 14.25" W x 17.5" H
- Approximate Weight: 29 lbs
- See Sheet 2 for Wiring Schematic
- For User Manual: See document P/N# 1301380126_USR_MAN
- Woodhead Engineering No.: SEE CHART
- Temperature Rating:
 - Operating: -21° to +135°F (-29° to +57°C)
 - Storage: -40° to +160°F (-40° to +71°C)

PART NUMBER	Woodhead® ENGINEERING NUMBER	RUBBER & METAL BASE COLOR	MINIMUM ORDER QUANTITY (MOQ)
1301380126	DY5-6E1H	YELLOW	1
1301380177	DB5-6E1H	BLACK	1
1301380179	DY5-6E1H-BP	YELLOW	1 unit = 25 pcs of 1301380126
1301380181	DB5-6E1H-BP	BLACK	1 unit = 25 pcs of 1301380177

THIS DRAWING CONTAINS INFORMATION THAT IS PROPRIETARY TO MOLEX ELECTRONIC TECHNOLOGIES, LLC AND SHOULD NOT BE USED WITHOUT WRITTEN PERMISSION

DIMENSION UNITS	SCALE	CURRENT REV DESC: UPDATE QTY IN CHART	
INCH	NTS		
GENERAL TOLERANCES (UNLESS SPECIFIED)			
ANGULAR TOL	± °		
4 PLACES	±	EC NO: 175572	
3 PLACES	±	DRWN: WLEUNG	2018/04/25
2 PLACES	±	CHK'D: DNGUYEN62	2018/04/25
1 PLACE	±	APPR:	
0 PLACES	±	INITIAL REVISION:	
DRAFT WHERE APPLICABLE MUST REMAIN WITHIN DIMENSIONS		DRWN: WLEUNG	2016/07/14
THIRD ANGLE PROJECTION		APPR: JFMURPHY	2017/02/18
DRAWING SERIES		MATERIAL NUMBER CUSTOMER SHEET NUMBER	
C-SIZE 130138		SEE CHART	1 OF 2

molex

PORTABLE PWR DIST BOX, 50A RATING
IN:50A CALI LOCKING; OUT:(6)20A NEMA 5-20 & (1)30A NEMA L6-30

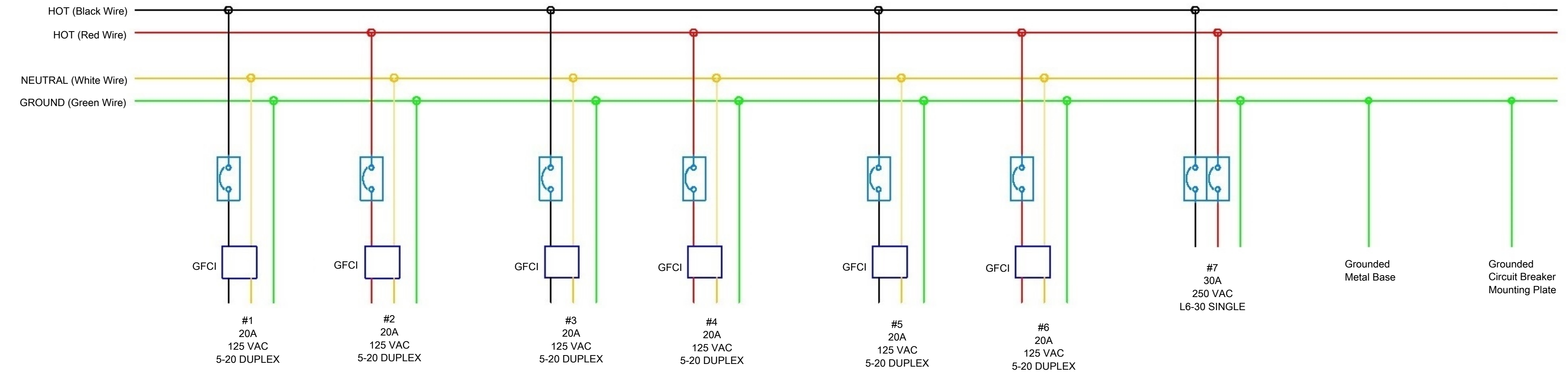
PRODUCT CUSTOMER DRAWING

DOCUMENT NUMBER	DOC TYPE	DOC PART	REVISION
1301380126	PSD	000	E1

DOCUMENT STATUS	RQ	RELEASE DATE

INPUT: California Style, 50A,
Single Phase (H,H,N,G),
125/250VAC, Panel Mount

FEED
THRU



PENDING
APPROVAL

THIS DRAWING CONTAINS INFORMATION THAT IS PROPRIETARY TO MOLEX ELECTRONIC TECHNOLOGIES, LLC AND SHOULD NOT BE USED WITHOUT WRITTEN PERMISSION									
DIMENSION UNITS		SCALE		CURRENT REV DESC: UPDATE QTY IN CHART				molex	
INCH		NTS							
GENERAL TOLERANCES (UNLESS SPECIFIED)				EC NO: 175572		2018/04/25		PORTABLE PWR DIST BOX, 50A RATING	
ANGULAR TOL		± °		DRWN: WLEUNG		2018/04/25		IN:50A CALI LOCKING; OUT:(6)20A NEMA 5-20 & (1)30A NEMA L6-30	
4 PLACES		±		CHK'D: DNGUYEN62		2018/04/25		PRODUCT CUSTOMER DRAWING	
3 PLACES		±		APPR:				DOCUMENT NUMBER	
2 PLACES		±		INITIAL REVISION:				1301380126	
1 PLACE		±		DRWN: WLEUNG		2016/07/14		DOC TYPE	
0 PLACES		±		APPR: JFMURPHY		2017/02/18		PSD	
DRAFT WHERE APPLICABLE MUST REMAIN WITHIN DIMENSIONS				THIRD ANGLE PROJECTION		DRAWING		SERIES	
				C-SIZE		130138		MATERIAL NUMBER	
								CUSTOMER	
								SHEET NUMBER	
								2 OF 2	

DOCUMENT STATUS	RQ	RELEASE DATE	
-----------------	----	--------------	--