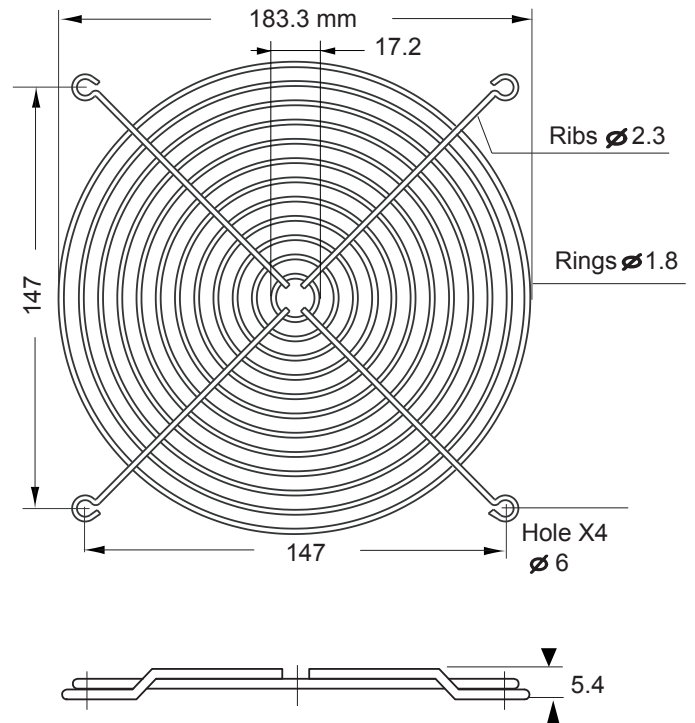


Part No. G200-12



**Fan Guard for
200mm Fan**



NOTES:

1. MATERIAL:C1008 BRIGHT BASIC WIRE
2. FINISH:BRIGHT NICKEL CHROME
3. RINGS: 1.8MM dia. / RIBS: 2.3MM dia
4. WELDS TO WITHSTAND 88LBS PULL FOR CE
5. GENERAL TOLERANCE UNLESS NOTED +/-0.5MM
6. PART MEETS 6.35MM PLUG GAUGE TEST
7. UNIT: MM

Part Number	Description
G200-12	200mm fan guard, metal