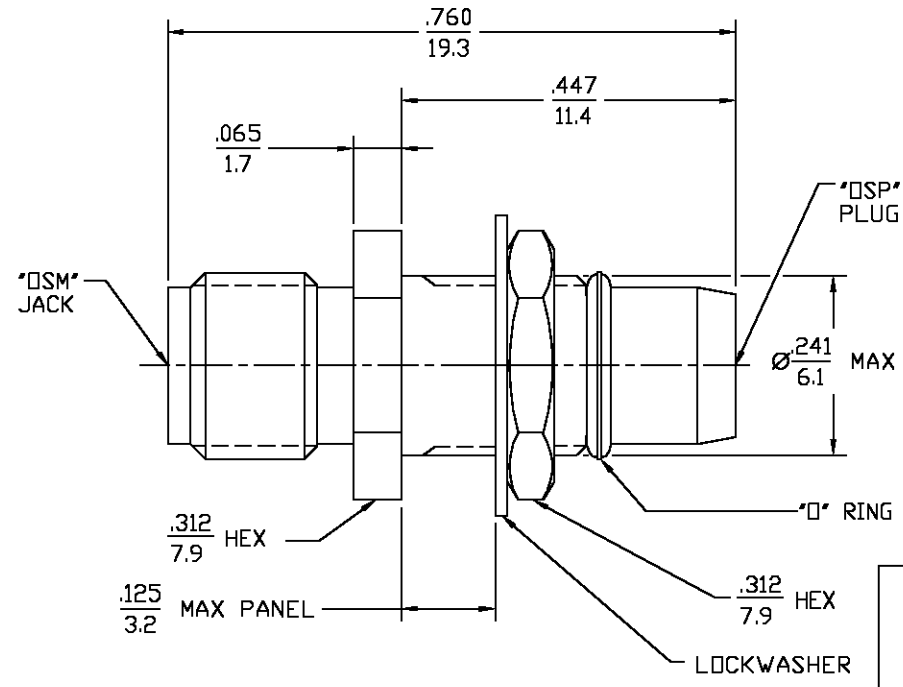


REVISIONS			
REV	DESCRIPTION	DATE	APPROVED
01 0	RELEASED	1/15/97	PCW
B	REVISED PER ECN 0020-0262-01	GV 01/06/03	JGH



HOUSING MOUNTING NUT LOCKWASHER	STAINLESS STEEL PER ASTM-A484 AND ASTM-A582, TYPE 303	PASSIVATE PER QQ-P-35
DIELECTRIC	TFE FLUOROCARBON PER ASTM-D-1457	N/A
CENTER CONTACT	BERYLLIUM COPPER PER ASTM-B-196 OR ASTM-B-197, ALLOY C17300, CONDITION H	GOLD PLATE PER MIL-G-45204
O-RING	FLOUROSILICONE PER MIL-R-25988, CLASS I, TYPE I.	N/A

COMPONENT	MATERIAL	FINISH
-----------	----------	--------

NOTE:

- CAPTURED CENTER CONTACT

.XXX = in  
XX.X = mm (REF)

UNLESS OTHERWISE SPECIFIED DIMENSIONS ARE IN INCHES	DRAWN BY: <i>PCW</i>	DATE: 12/18/96	AMP Incorporated 140 Fourth Avenue Waltham, MA 02451-7599
	CHECKED BY:		
FRAC. ± 1/64	DEC. ± .005	ANGLES ± 1'	AMP
APPT'D BY: <i>PCW</i>			1/15/97
USE ASS'Y PROCEDURE		TITLE DSM JACK TO DSP BULKHEAD FEEDTHROUGH PLUG ADAPTER	
NO. A.P. N/A		SIZE B	CODE IDENT NO. 26805
		4585-4030-02	REV 01 0
		SCALE 5:1	SHEET 1 OF 1

CUSTOMER DRAWING

AMP PART # 1083442-1  
SHEET 1 OF 1 REV B