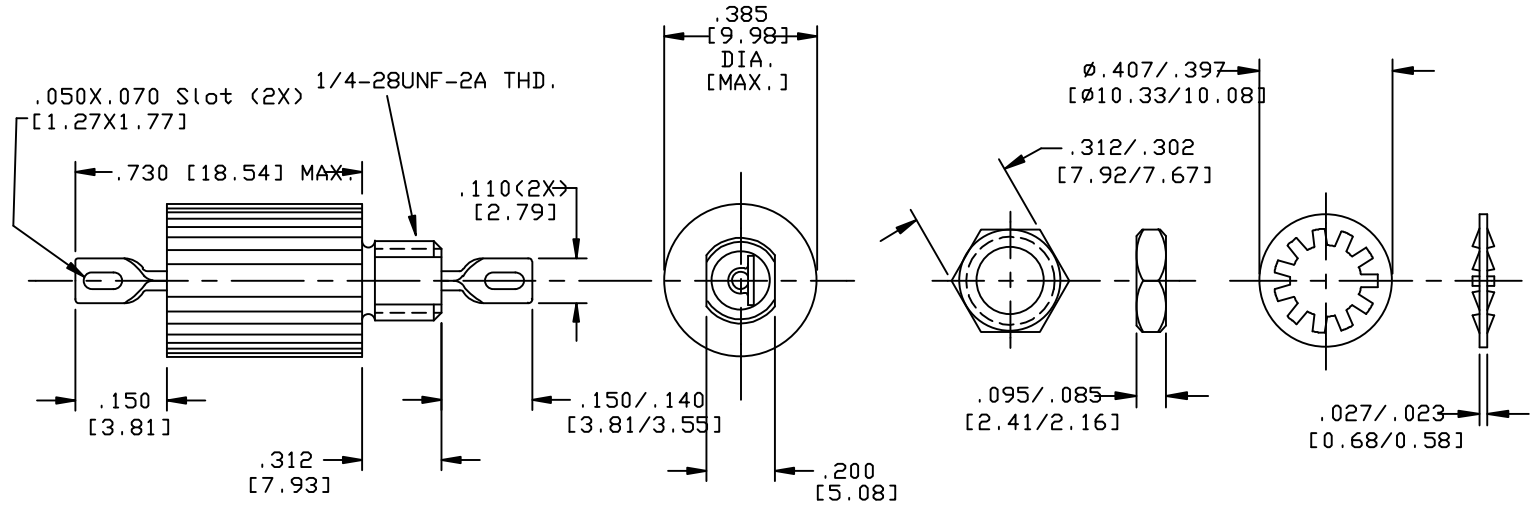


| CASE FINISH | CURRENT (AMPS) | WORKING VOLTAGE | | | | MAXIMUM DC RESISTANCE (OHMS) | MAXIMUM VOLTAGE DROP | | MINIMUM CAPACITANCE (uF) | MIN. INSERTION LOSS PER MIL-STD-220 FULL LOAD, +25°C | | | | | | | | | | | | |
|-------------|----------------|-----------------|----|-----------------|----|------------------------------|----------------------|----|--------------------------|--|-----|-----|-----|-----|-----|-----|-----|-----|-----|-----|-----|-----|
| | | -55°C TO +85°C | | -55°C TO +125°C | | | DC | AC | | 14 | 30 | 50 | 75 | 100 | 150 | 300 | 500 | 1 | 10 | 100 | 1 | 10 |
| | | AC | DC | AC | DC | | | | | KHz | KHz | KHz | KHz | KHz | KHz | KHz | KHz | MHz | MHz | MHz | GHz | GHz |
| SOLDER | 0.25 | -- | -- | 35 | 50 | 4.0 | -- | -- | -- | 18 | -- | -- | -- | 42 | 51 | -- | 70 | 70 | -- | 70 | -- | |

PART MARKING:
 SCI
 9200-303-0094
 DATE CODE

PACKAGE MARKING:
 STANDARD

MARKING NOTES:
 N/A



MTG. HARDWARE

NOTES:

1) MOUNTING TORQUE NOT TO EXCEED 7in-lbs.

| | | | | |
|---------------------|-----|--|--|--|
| CN 183685 | REV | UNLESS OTHERWISE SPECIFIED DIMENSIONS ARE IN INCHES. [MILLIMETERS] DO NOT SCALE. | TOLERANCES UNLESS OTHERWISE SPECIFIED Fractions Dec. .xx± Dec. .xxx±010 Angles ±0° 30' | ERIE, FAIRVIEW PENNSYLVANIA SPECTRUM CONTROL INC. Description Pass EMI Filter DwrMAYNARD Cko2/27/98 9200-303-0094 |
| CHANGE NOTIFICATION | | | CODE IDENT. NO. DLSP2 Sheet 1 of 1 | |

Quality Products From The Specialists In Electro-Magnetic Compatibility