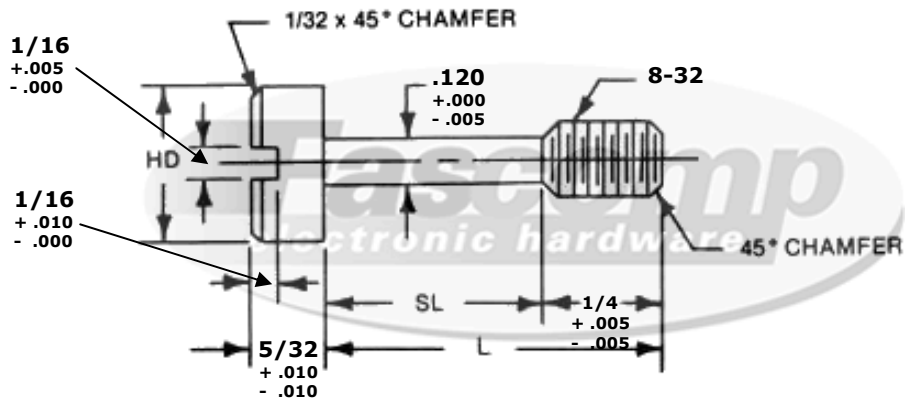


Captive Screw Type 6 8-32 Thread



Create a part number:

Length	Material	Finish
FCXXXX	XX	XX

Captive Screws - 8-32 Thread				
	FCXXXX	Length (L)	H.D. +.005 -.005	S.L. +.005 -.000
✓	FC7088	21/32	5/16	13/32
	FC7089	23/32	5/16	15/32
	FC7090	25/32	5/16	17/32

Material		
✓ Material Code (XX)		
	B	Brass
	S	Steel
	SS	Stainless Steel

✓ Compatible Finish (XX)		
	B, S, SS	0 - Plain
	B, S	5 - Nickel Plate (QQ-N-290)
	B, S	12 - Zinc Clear (ASTM-B-633)
	B, S	16 - Electro Tin (MIL-T-10727 TYPE 1)
	SS	20 - Passivation (MIL-F-14072D)
	B, S, SS	26 - Black Oxide
	B, S	28 - Zinc Yellow (ASTM-B-633)

Tolerances
Unless otherwise Specified
 .xxx +/- .005
 .xx +/- .010
 Angular +/- 1 Degree
 Linear +/- .005
Break all sharp edges

Source Control Drawing:
 To be produced by
 Fascomp Electronic Hardware



Fascomp Electronic Hardware
 7814 Kingspointe Pkwy
 Orlando, FL 32819
 www.fascomp.com
 Tel: (407) 226-2112
 Fax: (407) 226-3370

This document is the property of Fascomp Inc. and shall not be reproduced, distributed, or used as a basis for manufacturing without written permission from Fascomp Inc.