

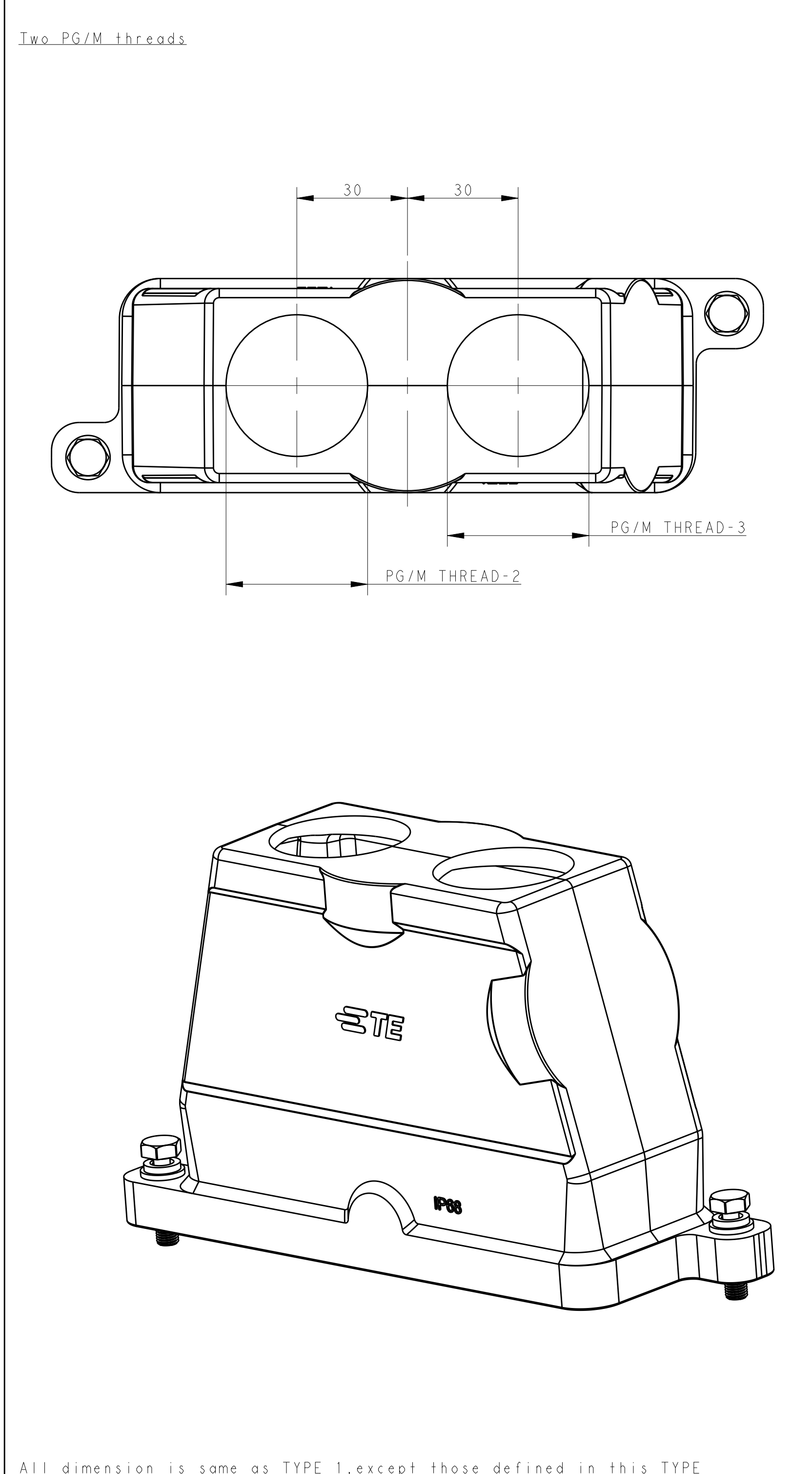
TYPE 1



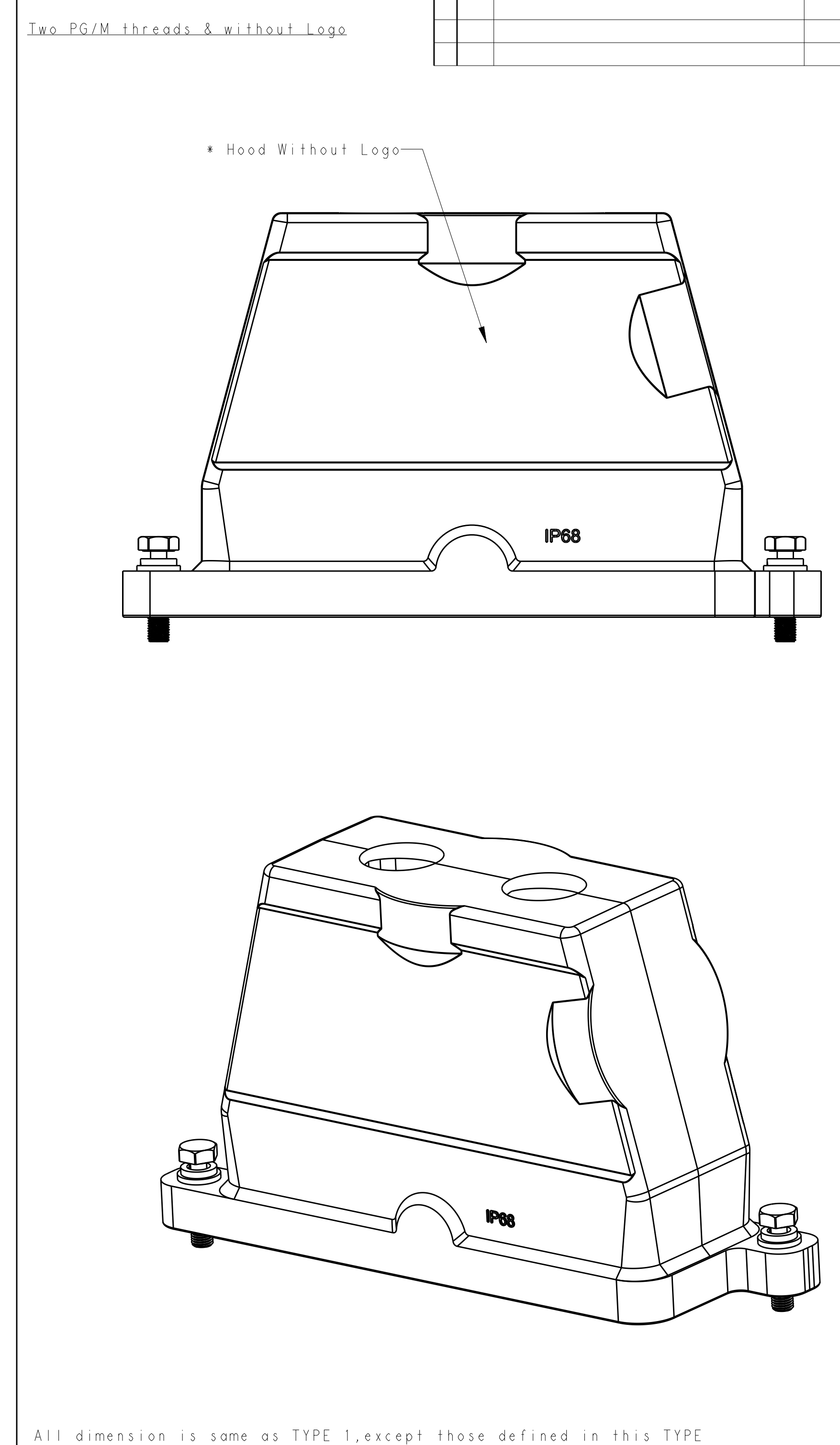
TYPE 2



TYPE 3

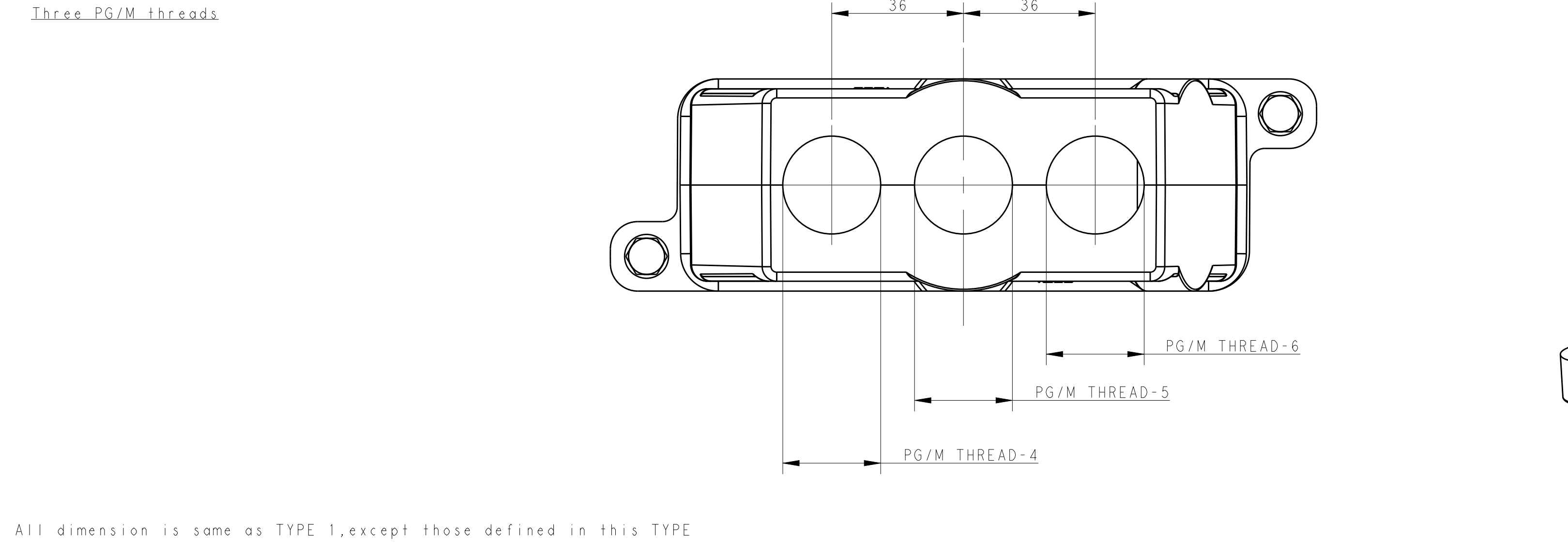


TYPE 4

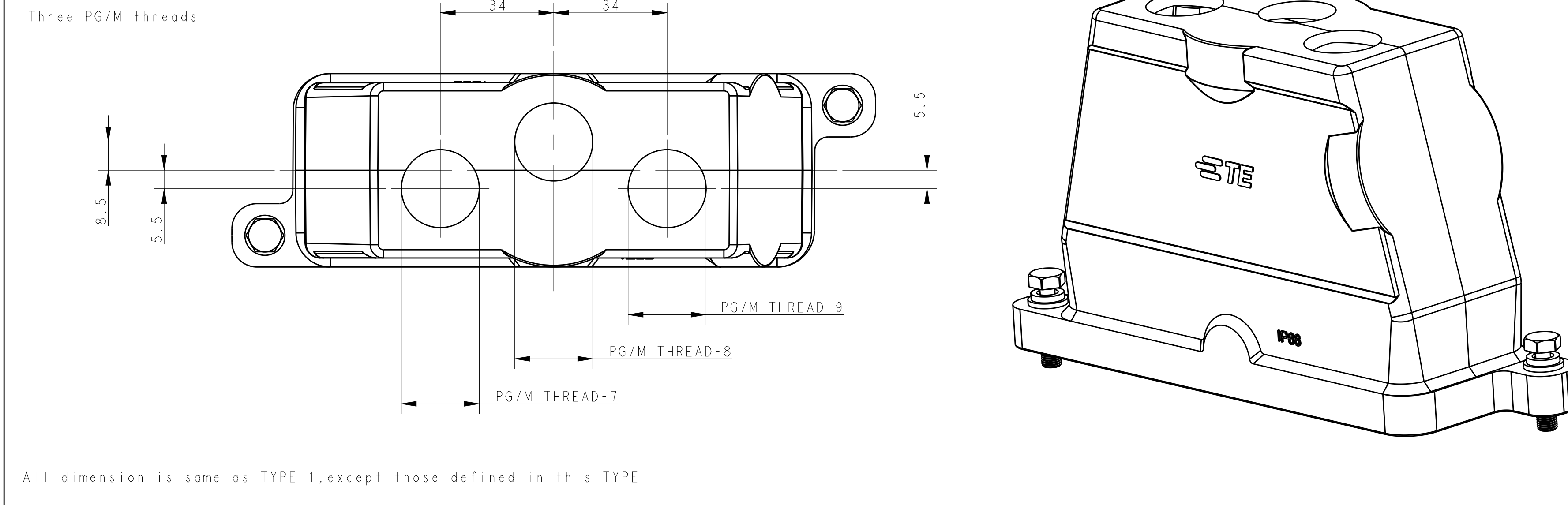


| REVISIONS | | | |
|------------------------------|-----------|----|------|
| REV | DATE | BY | APPD |
| A | 15JUN2015 | GY | CW |
| DESCRIPTION: INITIAL RELEASE | | | |

TYPE 5



TYPE 6



NOTES:
 1. TECHNICAL CHARACTERISTICS:
 HOOD MATERIAL: DIE CAST ALUMINIUM ALLOY
 SURFACE TREATMENT: SEE TABLE
 OPERATION TEMPERATURE: -40°C~+125°C
 DEGREE OF PROTECTION: IP68 (MATED)

注:
 1. 技术参数:
 壳体材料: 铝合金
 表面处理: 见表格
 工作温度: -40°C~+125°C
 防护等级: IP68 (配合)

| PART NUMBER | SURFACE TREATMENT | DESCRIPTION | PG/M THREAD-9 | PG/M THREAD-8 | PG/M THREAD-7 | PG/M THREAD-6 | PG/M THREAD-5 | PG/M THREAD-4 | PG/M THREAD-3 | PG/M THREAD-2 | PG/M THREAD-1 | TYPE |
|-----------------|----------------------------|------------------|---------------|---------------|---------------|---------------|---------------|---------------|---------------|---------------|---------------|--------|
| T1920240325-000 | POWDER COATED BLACK | H24BPR-TGH-3M25 | M25 | M25 | M25 | - | - | - | - | - | - | TYPE 6 |
| T1920240321-000 | POWDER COATED BLACK | H24BPR-TGH-3PG21 | - | - | - | PG21 | PG21 | PG21 | - | - | - | TYPE 5 |
| T1920240225-100 | POWDER COATED BLACK | H24BPR-TGH-2M25 | - | - | - | - | - | M25 | M25 | - | - | TYPE 4 |
| T1920241232-000 | POWDER COATED SILVER WHITE | H24BPR-TGH-2M32 | - | - | - | - | - | M32 | M32 | - | - | TYPE 3 |
| T1920240240-000 | POWDER COATED BLACK | H24BPR-TGH-2M40 | - | - | - | - | - | M40 | M40 | - | - | TYPE 2 |
| T1920240140-100 | POWDER COATED BLACK | H24BPR-TGH-M40 | - | - | - | - | - | - | - | - | M40 | |
| T1920241140-000 | POWDER COATED SILVER WHITE | H24BPR-TGH-M40 | - | - | - | - | - | - | - | - | M40 | TYPE 1 |
| T1920241136-000 | POWDER COATED SILVER WHITE | H24BPR-TGH-PG36 | - | - | - | - | - | - | - | - | PG36 | |
| T1920241132-000 | POWDER COATED SILVER WHITE | H24BPR-TGH-M32 | - | - | - | - | - | - | - | - | M32 | |
| T1920241129-000 | POWDER COATED SILVER WHITE | H24BPR-TGH-PG29 | - | - | - | - | - | - | - | - | PG29 | |
| T1920241125-000 | POWDER COATED SILVER WHITE | H24BPR-TGH-M25 | - | - | - | - | - | - | - | - | M25 | |
| T1920241121-000 | POWDER COATED SILVER WHITE | H24BPR-TGH-PG21 | - | - | - | - | - | - | - | - | PG21 | |
| T1920240140-000 | POWDER COATED BLACK | H24BPR-TGH-M40 | - | - | - | - | - | - | - | - | M40 | |
| T1920240136-000 | POWDER COATED BLACK | H24BPR-TGH-PG36 | - | - | - | - | - | - | - | - | PG36 | |
| T1920240132-000 | POWDER COATED BLACK | H24BPR-TGH-M32 | - | - | - | - | - | - | - | - | M32 | |
| T1920240129-000 | POWDER COATED BLACK | H24BPR-TGH-PG29 | - | - | - | - | - | - | - | - | PG29 | |
| T1920240125-000 | POWDER COATED BLACK | H24BPR-TGH-M25 | - | - | - | - | - | - | - | - | M25 | |
| T1920240121-000 | POWDER COATED BLACK | H24BPR-TGH-PG21 | - | - | - | - | - | - | - | - | PG21 | |

THIS DRAWING IS A CONTROLLED DOCUMENT.

| | | | |
|-----------------|--------|-----------------|-----------------|
| DATE: 15JUN2015 | REV: 0 | BY: G.Luo_Yao | APPD: 15JUN2015 |
| DATE: 15JUN2015 | REV: 1 | BY: C.H.Li_Wang | APPD: 15JUN2015 |
| DATE: 15JUN2015 | REV: 2 | BY: Y.Luo_Yao | APPD: 15JUN2015 |

Customer Drawing

SCALE: 1:1