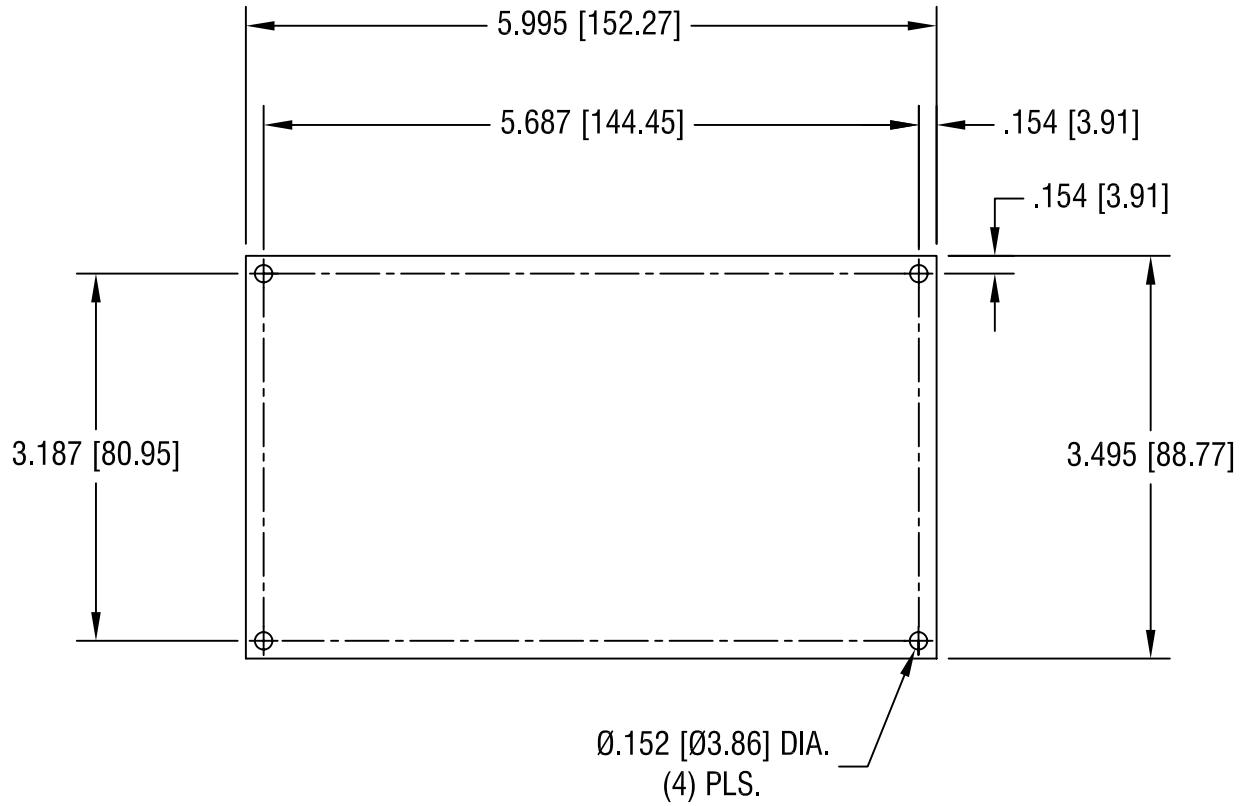


THIS DOCUMENT IS THE PROPERTY OF  
KEYSTONE ELECTRONICS CORP. AND  
SHALL NOT BE REPRODUCED, DISTRIBUTED  
OR USED AS A BASIS FOR MANUFACTURE  
WITHOUT PRIOR WRITTEN PERMISSION  
FROM KEYSTONE ELECTRONICS CORP.



**KEYSTONE ELECTRONICS CORP.**

ASTORIA, N.Y. 11105-2017

PART NAME

PANEL

MATERIAL

.093 [2.36] THK BLACK PHENOLIC

FINISH

-

DRN BY

NT

DATE

8.2.82

APP'D

LN

SCALE

.6X

TOLERANCES

INCH [MM]

DECIMAL  $\pm .005$  [ $\pm 0.15$ ]

ANGULAR  $\pm 1^\circ$   
UNLESS OTHERWISE SPECIFIED

CODE

C

DWG NO.

2037

8.24.07

CHANGED AS PER ECN 07-049

B

2.6.91

REVISED

A

DATE

DESCRIPTION

REV.