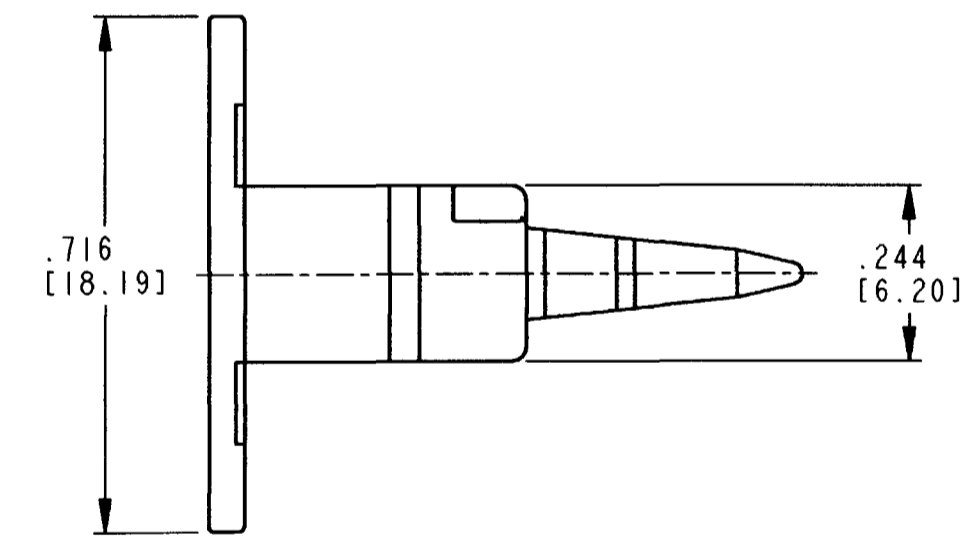
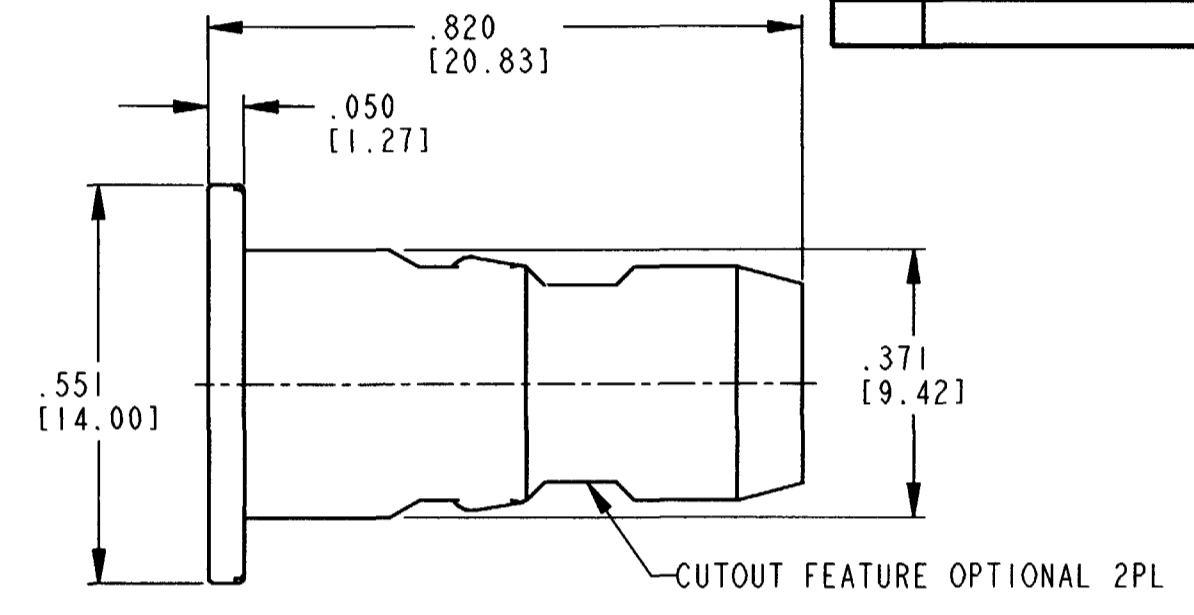
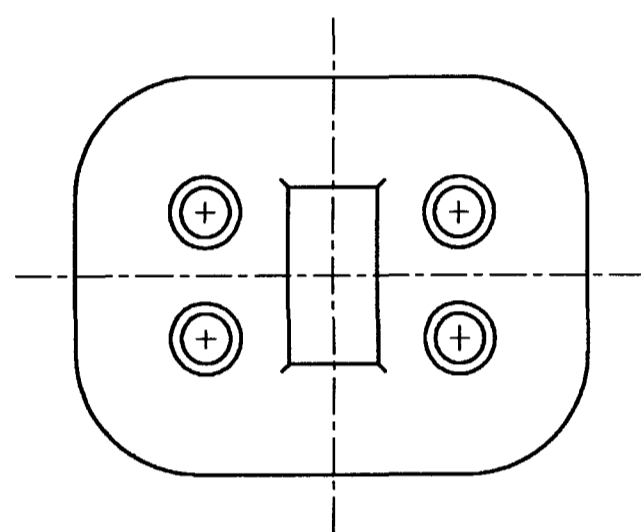


REV
B

W4S

REVISIONS

SYM	DESCRIPTION	DATE	APPROVED
NC	NEW RELEASE PER E.O. A09299	2/12/90	J.A.
A	REVISED PER E.O. P17509	11/28/01	R.D.R.
B	REVISED PER E.O. P20114	3-4-09	RDP



- 4. W4S WEDGE USED WITH DT06-4S PLUG.
- 3. CONSULT FACTORY FOR APPLICATION.
- 2. DIMENSIONS ARE ±.025 [.64] UNLESS OTHERWISE SPECIFIED.

NOTES: 1. ALL DIMENSIONS ARE IN INCHES [MILLIMETERS].

SIGNATURE & DATE	
DR	X. SANCHEZ 07NOV01
CHK	B. Bylow 3/4/09
PE	R. Muzzey 1/14/09
APPD	[Signature]
SCALE	NONE WT

WEDGE LOCK
FOR
4 WAY PLUG
COLOR: ORANGE
DT SERIES

ENVELOPE

EP	MATL. CODE
3850 INDUSTRIAL AVE. HEMET, CA 92545	
DEUTSCH INDUSTRIAL	
B	W4S
DWG SIZE	CODE 11139 SHEET OF